

Features

- Ultra low leakage: nA level
- Operating voltage: 24V
- Low clamping voltage
- Complies with following standards:
 - IEC 61000-4-2 (ESD) immunity test
Air discharge: $\pm 30\text{kV}$
Contact discharge: $\pm 30\text{kV}$
 - IEC61000-4-4 (EFT) 40A (5/50ns)
 - IEC61000-4-5 (Lightning) 4A (8/20 μs)
- RoHS Compliant

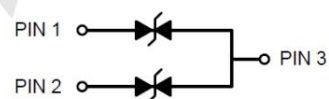
Mechanical Characteristics

- Package: SOT323
- Lead Finish: Matte Tin
- UL Flammability Classification Rating 94V-0
- Shipping Qty : 3000pcs/7Inch Tape & Reel

Applications

- CAN Bus Protection
- Automotive Appllcatrons

Dimensions and Pin Configuration



Marking: 24B

Absolute Maximum Ratings (Tamb=25°C unless otherwise specified)

| Parameter | Symbol | Value | Unit |
|---------------------------------|--------|-------------|------|
| Peak Pulse Power (8/20μs) | Ppk | 150 | W |
| Peak Pulse Current (8/20μs) | Ipp | 4 | A |
| ESD per IEC 61000-4-2 (Air) | VESD | ±30 | kV |
| ESD per IEC 61000-4-2 (Contact) | | ±30 | |
| Operating Temperature Range | TJ | -55 to +125 | °C |
| Storage Temperature Range | Tstg | -55 to +150 | °C |

Electrical Characteristics (TA=25°C unless otherwise specified)

| Parameter | Symbol | Min | Typ | Max | Unit | Test Condition |
|-------------------------|--------|-----|-----|-----|------|---------------------------------------|
| Reverse Working Voltage | VRWM | | | 24 | V | |
| Breakdown Voltage | VBR | 26 | 28 | 32 | V | IT = 1mA |
| Reverse Leakage Current | IR | | | 0.2 | uA | VRWM =24V |
| Clamping Voltage | VC | | 30 | | V | I _{PP} = 1A (8 x 20Us pulse) |
| Clamping Voltage | VC | | 36 | 40 | pF | I _{PP} = 4A (8 x 20Us pulse) |
| Junction Capacitance | CJ | | 10 | | pF | VR = 0V, f = 1MHz |

Characteristic Curves

Fig1. 8/20 μ s Pulse Waveform

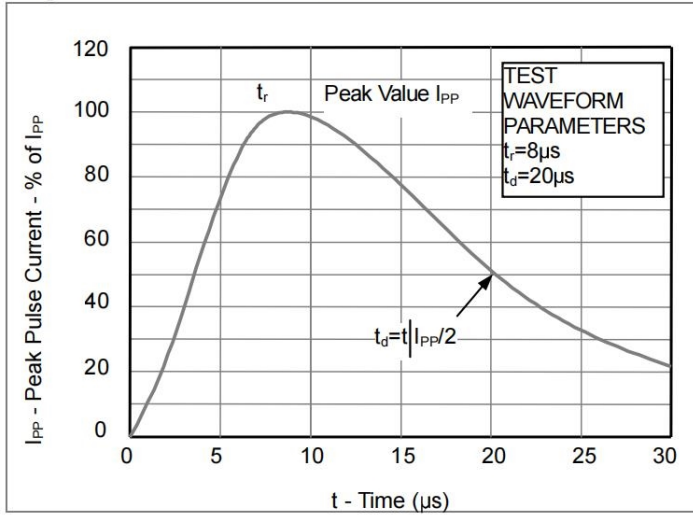


Fig2. ESD Pulse Waveform (according to IEC 61000-4-2)

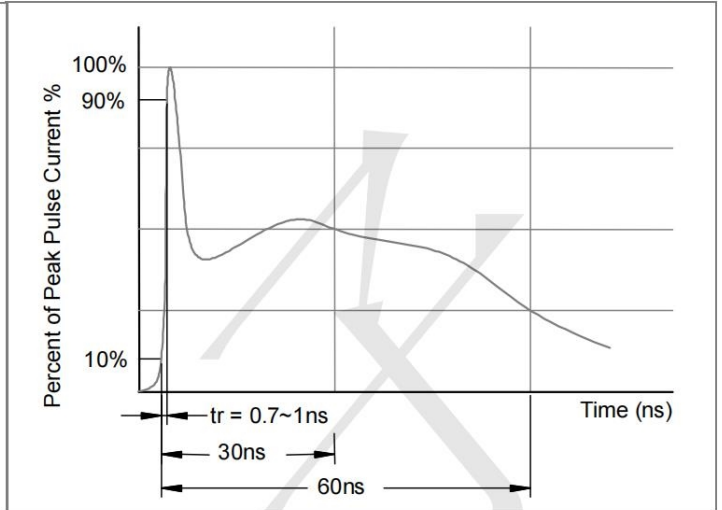
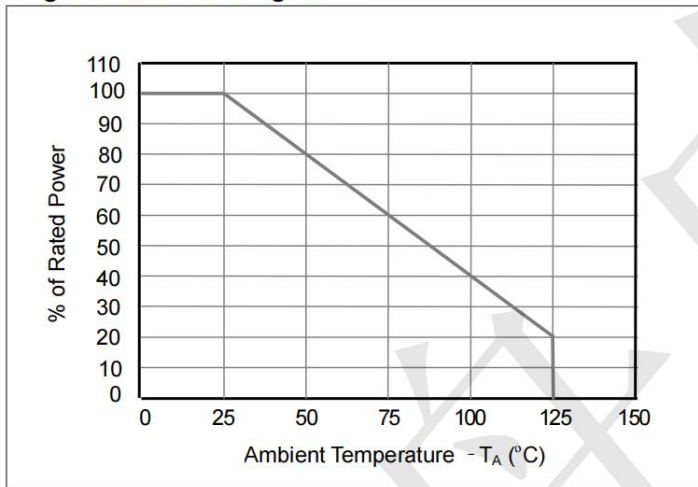
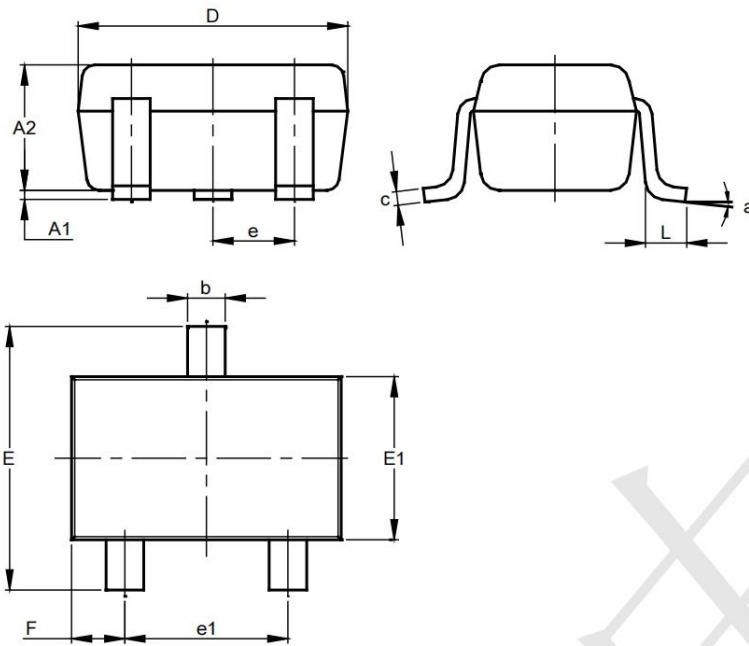


Fig3. Power Derating Curve

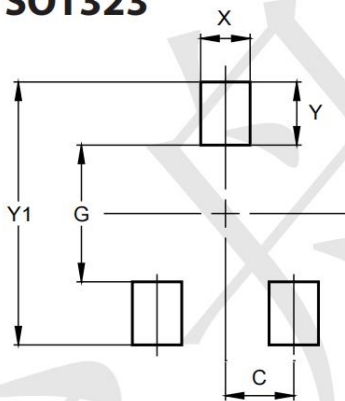


Outline Drawing - SOT323(SC70-3)



| SOT323 | | | |
|----------------------|-----------|-------|-------|
| Dim | Min | Max | Typ |
| A1 | 0.00 | 0.10 | 0.05 |
| A2 | 0.90 | 1.00 | 0.95 |
| b | 0.25 | 0.40 | 0.30 |
| c | 0.10 | 0.18 | 0.11 |
| D | 1.80 | 2.20 | 2.15 |
| E | 2.00 | 2.20 | 2.10 |
| E1 | 1.15 | 1.35 | 1.30 |
| e | 0.650 BSC | | |
| e1 | 1.20 | 1.40 | 1.30 |
| F | 0.375 | 0.475 | 0.425 |
| L | 0.25 | 0.40 | 0.30 |
| a | 0° | 8° | -- |
| All Dimensions in mm | | | |

Land Pattern - SOT323



| Dimensions | Value (in mm) |
|------------|---------------|
| C | 0.650 |
| G | 1.300 |
| X | 0.470 |
| Y | 0.600 |
| Y1 | 2.500 |