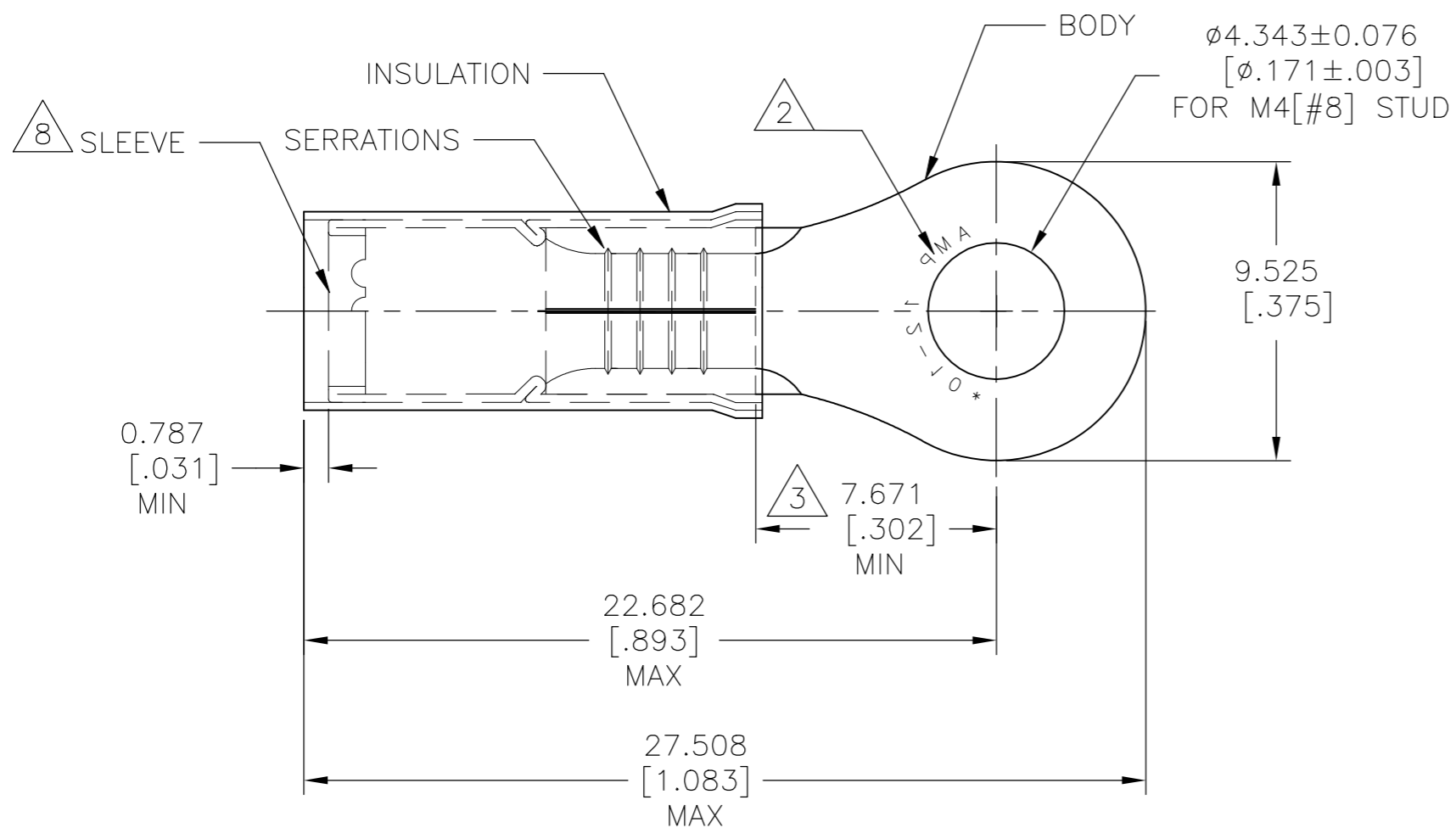


THIS DRAWING IS UNPUBLISHED. RELEASED FOR PUBLICATION
 © COPYRIGHT - By - ALL RIGHTS RESERVED.

REVISIONS					
P	LTR	DESCRIPTION	DATE	DWN	APVD
	J3	REVISED PER ECO-15-000272	08JAN2014	NK	DR
	J4	REVISED PER ECO-17-008114	31MAY2018	RS	DR
	J5	REVISED PER ECO-18-013603	29AUG2018	RS	DR



AMP WIRE RANGE	Listed FILE E13288	LR7189 Certified
12-10 AWG SOLID OR STRANDED	12-10 AWG SOLID OR STRANDED	12-10 AWG SOLID OR STRANDED

- 1 ALTERNATE PVC INSULATION MATERIAL FOR FOREIGN SUBSIDIARIES ONLY
- 2 STAMP AMP 12-10* APPROX AS SHOWN
- 3 DIMENSION APPLIES FROM EDGE OF METAL WIRE BARREL TO CENTER OF STUD HOLE
- 4 FOR WIRE INSULATION DIA:
3.810[.150] TO 6.350[.250]
- 5 BODY MATERIAL THK: 1.016±0.051[.040±.002]
- 6 MATERIAL:
BODY & SLEEVE: COPPER PER ASTM B152
INSULATION: NYLON 1
- 7 FINISH:
BODY & SLEEVE: TIN PLATE PER ASTM B545
INSULATION: COLOR-YELLOW

8 INTERNAL EDGE FEATURE MAY BE SOLID OR SCALLOPED.

-	100	LOOSE PC, BOX	8-35108-1
MS25036-156 CLASS 2	2500	ON TAPE, REEL	2-35108-1
MS25036-156 CLASS 1 & 2	500	LOOSE PIECE	35108
MILITARY PART NO & CLASS	QTY	PACKAGE TYPE	PART NO

AMP INCORPORATED
CUSTOMER SERVICE SYSTEMS

FOR ADDITIONAL PRODUCT INFORMATION OR COPIES OF DRAWINGS AND TECHNICAL DOCUMENTS	PRODUCT INFORMATION CENTER 1-800-522-6752	RECOMMENDED OPERATING TEMPERATURE: 105°C [221°F]
FOR APPLICATION TOOLING INFORMATION	TOOLING ASSISTANCE CENTER 1-800-722-1111	VOLTAGE RATING: 300V MAX
FOR ORDER ENTRY	1-800-526-5142	WIRE CROSS SECTIONAL AREA RANGE: 2.62-6.64mm ² [5,180-13,100] SOLID OR STRANDED

THIS DRAWING IS A CONTROLLED DOCUMENT.

DIMENSIONS: mm [INCHES]	TOLERANCES UNLESS OTHERWISE SPECIFIED:
	0 PLC ± -
	1 PLC ± -
	2 PLC ± -
	3 PLC ± 0.127[.005]
	4 PLC ± -
	ANGLES ± 5'
MATERIAL	FINISH
6	7

DWN	02APR12
KIRAN HOLAL	
CHK	02APR12
ROHDE DANIEL	
APVD	02APR12
ROHDE DANIEL	
PRODUCT SPEC	
UL 486 A-B	
APPLICATION SPEC	
114-2157	
WEIGHT	
CUSTOMER DRAWING	

TE Connectivity Ltd.			
NAME			
WIRE TERMINAL P.I.D.G RING TONGUE WIRE SIZE: 12-10			
SIZE	CAGE CODE	DRAWING NO	RESTRICTED TO
A3	00779	C-35108	-
SCALE		SHEET	REV
5:1		1 of 1	J5