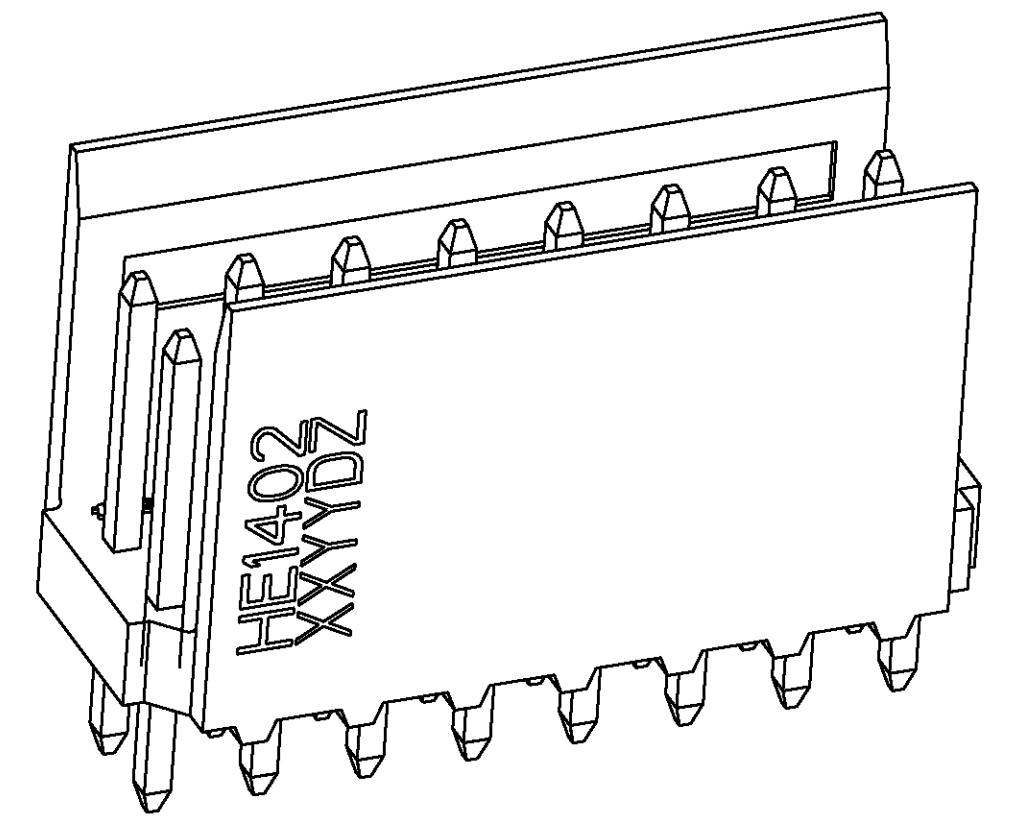
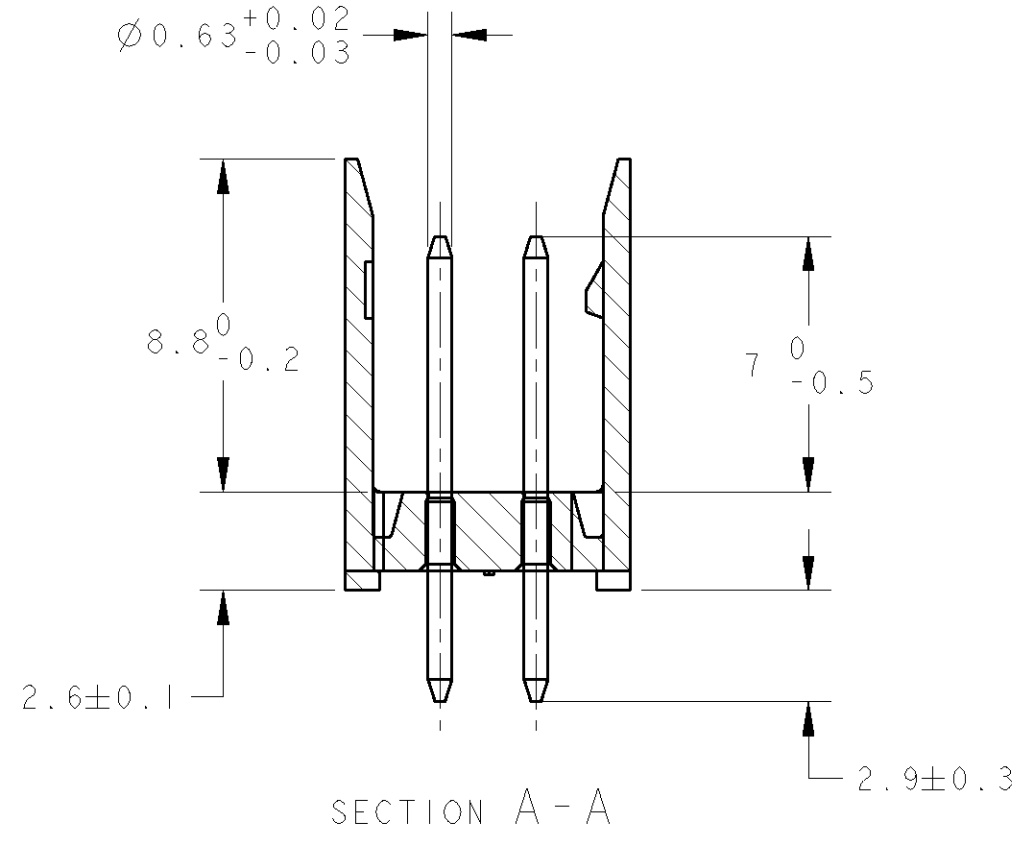
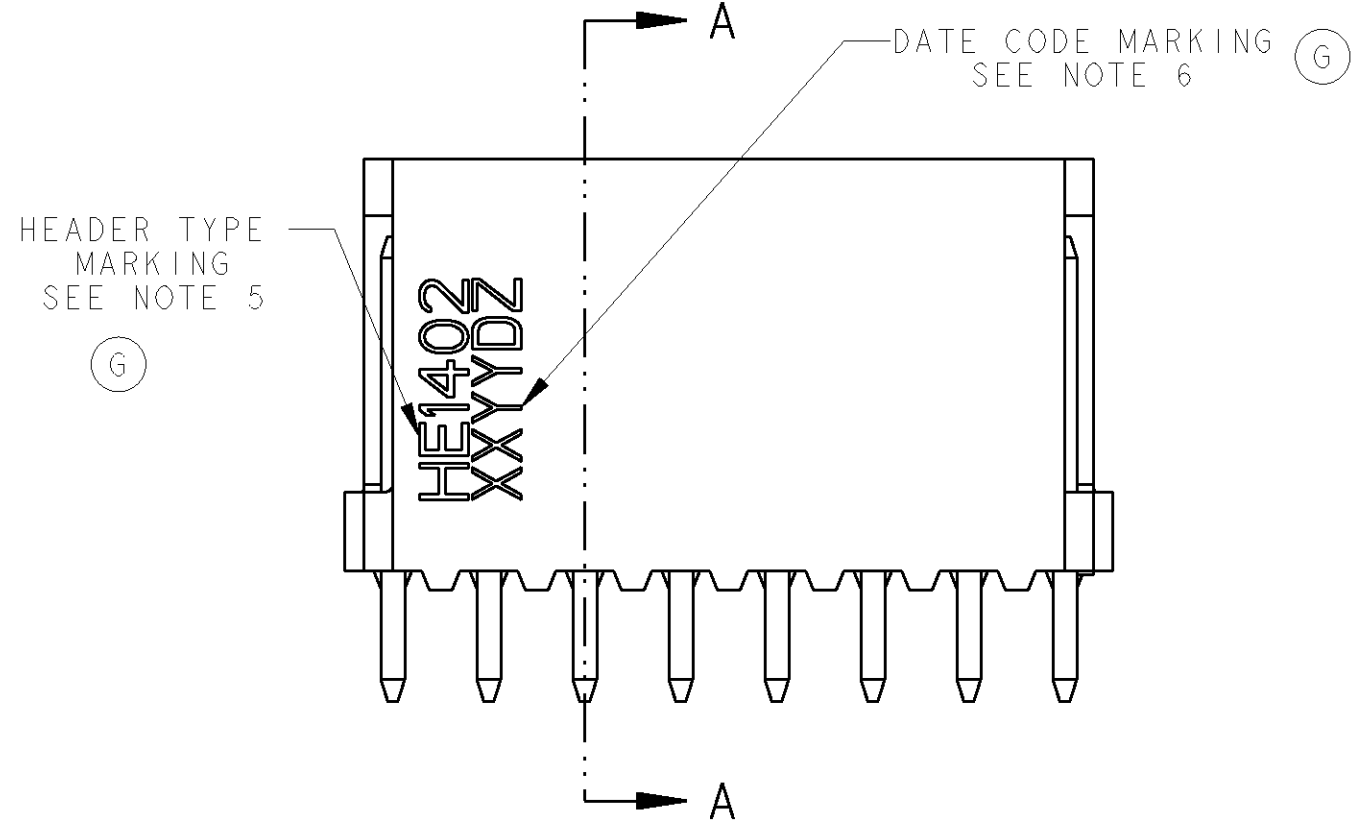


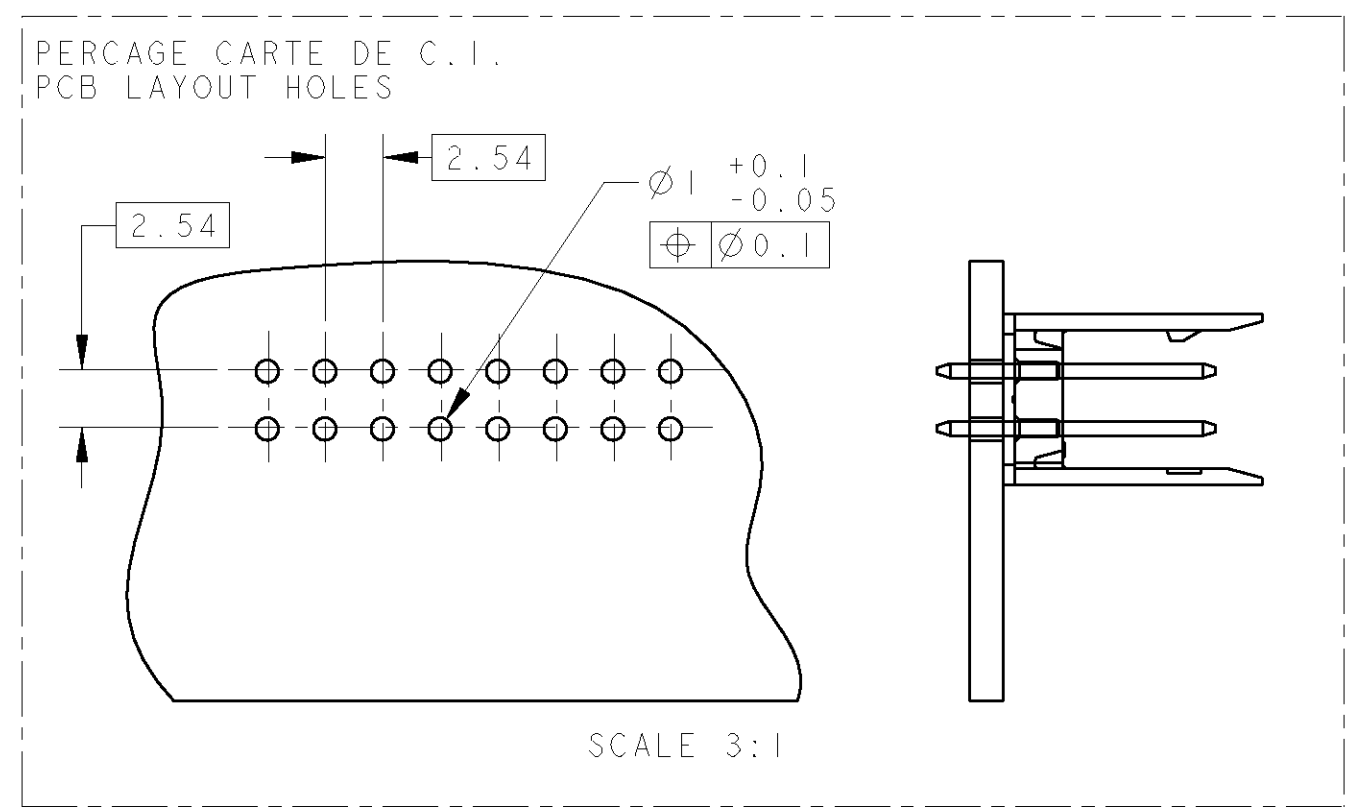
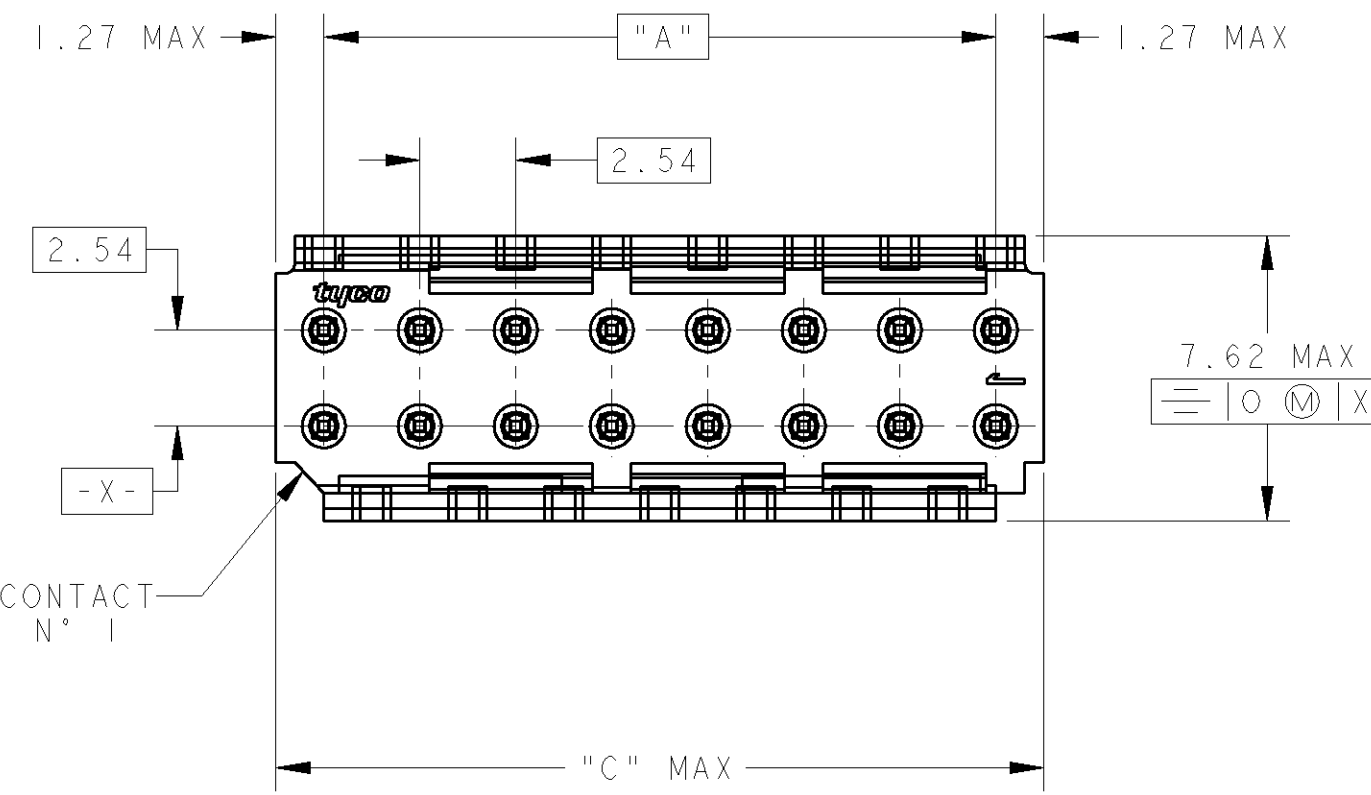
THIS DRAWING IS UNPUBLISHED.  
 DIFFUSION RESTREINTE  
 (C) COPYRIGHT

RELEASED FOR PUBLICATION  
 LIBRE A LA DIFFUSION  
 ALL RIGHTS RESERVED.  
 TOUS DROITS RESERVES

LOC	DIST	REVISIONS					
F	7	P	LTR	DESCRIPTION MODIFICATIONS	DATE	DWN DESS.	APVD APP.
		G1		REVISED PER ECO-11-005150	19APR11	RK	HMR

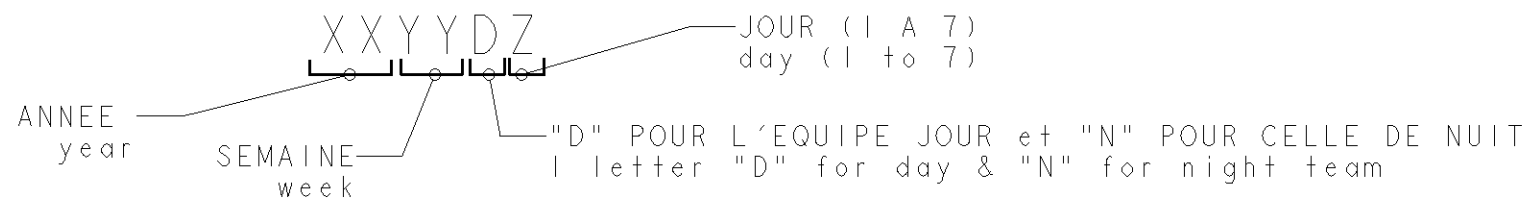


SCALE 6:1



SCALE 3:1

- NOTES:
- CES EMBASES SONT PREVUES POUR ETRE ACCOUPLEES AVEC LES FICHES "HE1402" DOUBLE RANGEE.  
(These headers are designed to be mated with "HE1402" connectors double row)
  - LES REFERENCES SUIVIES D'UN \* SONT LES VERSIONS NORMALISEES SELON LA NORME CEI 603-8  
(The parts numbers followed by \* are covered by the international standard IEC 603-8)
  - RETEVEMENT DES CONTACTS: ETAIN PUR SUR NICKEL  
(Contacts plating: lead free tin over nickel)
  - MATIERE PLASTIQUE: THERMO-PLASTIQUE HAUTE TEMPERATURE, UL-94V0, COULEUR BLEUE  
(Plastic material: High temperature thermoplastic, UL-94V0, Blue color)  
MATIERE DES CONTACTS: BRONZE PHOSPHOREUX  
(Contacts material: phosphor bronze)
  - MARQUAGE DU TYPE D'EMBASE (HE1402) A L'ENCRE NOIRE  
(header type marking (HE1402) with black ink)
  - MARQUAGE DE LA DATE A L'ENCRE NOIRE :  
(date code marking with black ink) :



50.80	48.26	2x 20	2-281739-0
45.72	43.18	2x 18	1-281739-8 *
43.18	40.64	2x 17	1-281739-7
38.10	35.56	2x 15	1-281739-5 *
33.02	30.48	2x 13	1-281739-3
30.48	27.94	2x 12	1-281739-2 *
25.40	22.86	2x 10	1-281739-0 *
20.32	17.78	2x 8	0-281739-8 *
15.24	12.70	2x 6	0-281739-6 *
12.70	10.16	2x 5	0-281739-5 *
10.16	7.62	2x 4	0-281739-4 *
7.62	5.08	2x 3	0-281739-3 *
5.08	2.54	2x 2	0-281739-2
C	A	Nb DE POS	PART NUMBER
DIMENSIONS			DIM "D" = 2.9

DIMENSIONS:		TOLERANCES UNLESS OTHERWISE SPECIFIED: (SUIV. NB DE DECIMALES)		DWN/DESSINE 22NOV2000 C. COMBEDOUZON		TE Connectivity HEADERS HE14, DOUBLE ROW, STRAIGHT	
mm		0 PLC/DEC: ±	1 PLC/DEC: ±0.3	2 PLC/DEC: ±0.13	3 PLC/DEC: ±0.013		
MATERIAL/MATIERE		FINISH/FINITION		APVD/APROUVE 22NOV2000 I. CORRIOLU		PRODUCT SPEC SPEC. PRODUIT 108-15053	
TABLE				APPLICATION SPEC SPEC. APPLICATION		SIZE FORMAT A2	
				WEIGHT MASSE APPROX.		CAGE CODE 00779	
				CUSTOMER DRAWING /PLAN CLIENT		DRAWING NO No PLAN C-281739	
				UNIQUEMENT POUR REFERENCE		RESTRICTED TO RESERVE A -	
				SCALE ECHELLE 5:1		SHEET FEUILLE OF DE REV G1	