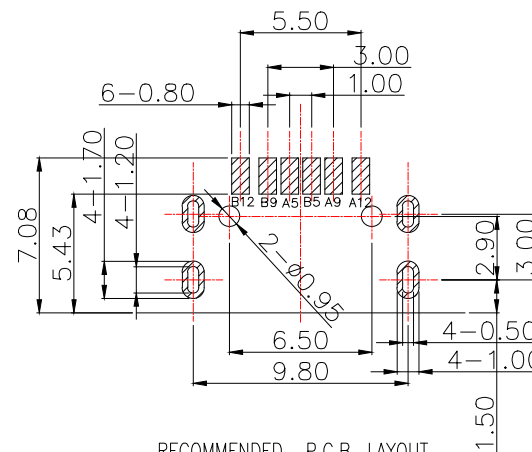


- SPECIFICATIONS:
- ELECTRICAL CHARACTERISTICS:
    - RATING: 3A;
    - CONTACT RESISTANCE: 30 m $\Omega$  MAX.(INITIAL);
    - DIELECTRIC WITHSTANDING: 100V AC MIN.;
    - INSULATION RESISTANCE: 100M $\Omega$  MIN.;
  - DURABILITY: 10,000 CYCLES MIN.;
  - INSERTION FORCE: 5-20N;
  - EXTRACTION FORCE: 6-20N;
  - WATER PROOFNESS: THIS PRODUCT IS BASED ON IPX6.
  - PLUG INTERFACE DIMENSIONS COMFORM TO USB2.0 SPEC.
  - PACKAGING: TAPE & REEL.

A5	CC1	B12	GND
A9	VBUS	B9	VBUS
A12	GND	B5	CC2
PIN	SIGNAL NAME	PIN	SIGNAL NAME



RECOMMENDED P.C.B. LAYOUT  
TOLERANCE UNSPECIFIED  $\pm 0.05\text{mm}$

3	Shell	1	SUS304R-1/2H Ni PlatingT=0.25mm	
2	Contact	6	Phosphor bronze C5191R-EH Au/Ni Plating T=0.20mm	
1	Housing	1	PA10T (G.F30%)	
ITEM	PART NAME	Q'TY	FINISH	NOTE

MANUFACTURE DWG



UNLESS OTHERWISE SPECIFIED TOLERANCES



TITLE: TYPE C 6Pin SMT Type

DECIMALS: ANGLES:

X.: $\pm 0.50$  X': $\pm 2'$

X.X: $\pm 0.30$  .X': $\pm 1'$

X.XX: $\pm 0.10$  .XX': $\pm 0.5'$

PAR TYPEC-242-ACP6X6

DWN

CHKD

APVD

SCALE:1:1 UNIT:MM

SIZE:A4 SHEET:1F1 REV:A

CUSTOMER COPY