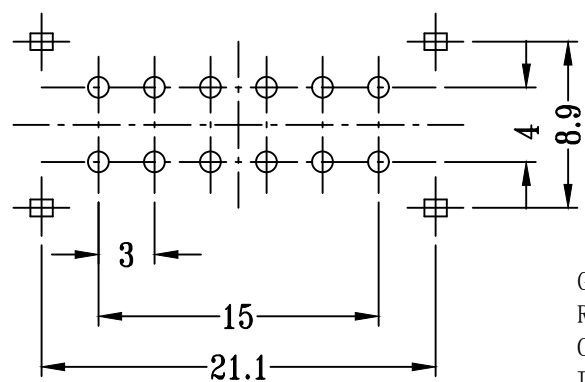
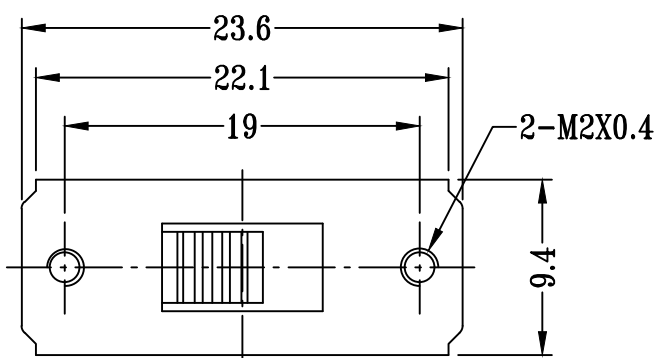


SCHEMATIC (SHORTING)

SS-42F01-GXXX
直柄 G-Switch P/N

- G=020 (2.0) G=030 (3.0)
- G=040 (4.0) G=050 (5.0)
- G=055 (5.5) G=060 (6.0)
- G=065 (6.5) G=070 (7.0)
- G=075 (7.5) G=080 (8.0)
- G=085 (8.5) G=090 (9.0)
- G=095 (9.5) G=100 (10.0)



**P.C.B LAYOUT
BOTTOM VIEW**

G-Switch Specification:
 RATING (额定值) : DC250V 0.5A
 CONTACT RESISTANCE 接触电阻: ≤70mΩ
 INSULATION RESISTANCE 绝缘电阻: ≥100mΩ
 DIELECTRIC STRENGTH 耐电压: AC 500V for 1 minute
 TIMING (时间特性) : SHORTING



		G-Switch Electronic Technology CO.,Ltd.				
					DESIGN 陈锋枫	DATE 2016.05.29
Unless otherwise specified, Tolerance: X. ±0.30 X.x ±0.20 X.xx ±0.15 X.xxx ±0.10 Angles ±3°		CHECKED	DATE	SS-42F01-GXXX		
		APPROVED	DATE			
		http://www.dg-switch.com		REV.: X1	SCALE: 4:1	UNIT: mm
		TEL:0769-82388879		SIZE: A4	SHEET: 1/1	