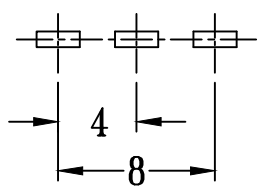
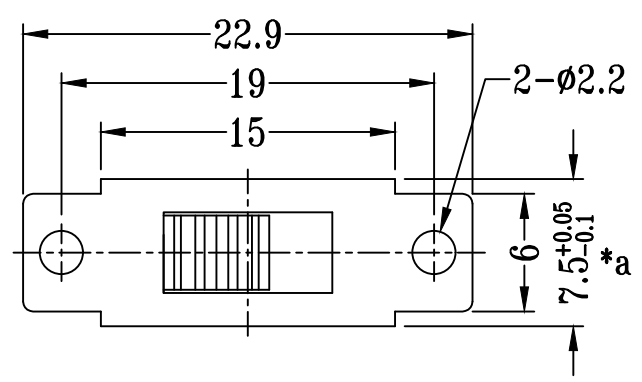


SS-12F102-GXXX

直柄 G-Switch P/N

- G=020 (2.0) G=030 (3.0)
- G=040 (4.0) G=050 (5.0)
- G=055 (5.5) G=060 (6.0)
- G=065 (6.5) G=070 (7.0)
- G=075 (7.5) G=080 (8.0)
- G=085 (8.5) G=090 (9.0)
- G=095 (9.5) G=100 (10.0)



**P.C.B LAYOUT  
BOTTOM VIEW**

G-Switch Specification:  
 RATING (额定值) : DC250V 0.5A  
 CONTACT RESISTANCE 接触电阻: ≤70mΩ  
 INSULATION RESISTANCE 绝缘电阻: ≥100mΩ  
 DIELECTRIC STRENGTH 耐电压: AC 500V for 1 minute  
 TIMING (时间特性) :SHORTING



|  |  |  |            |                |            |
|--|--|--|------------|----------------|------------|
|  |  | <b>G-Switch Electronic Technology CO.,Ltd.</b> |            |                |            |
|  |  |  |            |                | DESIGN 陈锋枫 |
| Unless otherwise specified, Tolerance:<br>X. ±0.30<br>X.x ±0.20<br>X.xx ±0.15<br>X.xxx ±0.10<br>Angles ±3° |  | CHECKED  | DATE       | SS-12F102-GXXX |            |
|  |  | APPROVED                                       | DATE       |                |            |
| <a href="http://www.dg-switch.com">http://www.dg-switch.com</a><br>TEL:0769-82388879                       |  | REV.: X1                                       | SCALE: 4:1 | UNIT: mm       |            |
|  |  | SIZE: A4                                       | SHEET: 1/1 |                |            |