

NOTES:

1. MATERIALS:

HOUSING: LCP, UL94V-0, COLOUR : BLACK
 TERMINAL: COPPER ALLOY
 FITTING NAIL: COPPER ALLOY

2. FINISHES:

TERMINAL : GOLD 0.14µm MIN. WITH 1.0 UM MIN NICKEL
 UNDERPLATE OVERALL
 FITTING NAIL : 1.5 UM MIN TIN WITH 1.0UM MIN NICKEL
 UNDERPLATE OVERALL.

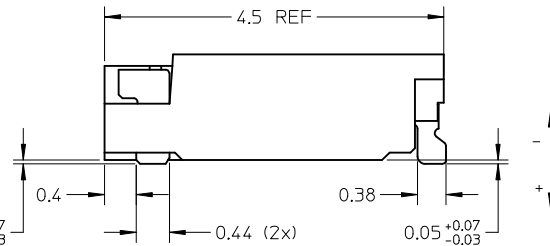
3. PRODUCT SPECIFICATION: PS-78171-010

4. PACKAGING SPECIFICATION: TAPE & REEL PACKAGING

5. MATES WITH MOLEX PART NUMBER 78172-00**

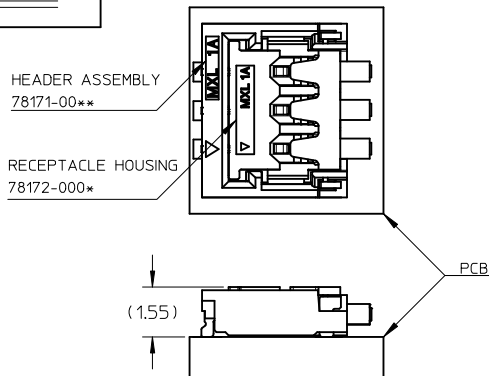
6. 3 CIRCUITS IS SHOWN FOR ILLUSTRATION PURPOSE ONLY
 7. SOLDER TAIL AND FITTING NAIL COPLANARITY : 0.10 MM MAX
 TO BE MEASURED BY PLACING THE CONNECTOR ON A FLAT
 GAUGED SURFACE.

8. ELV & RoHS COMPLIANT.

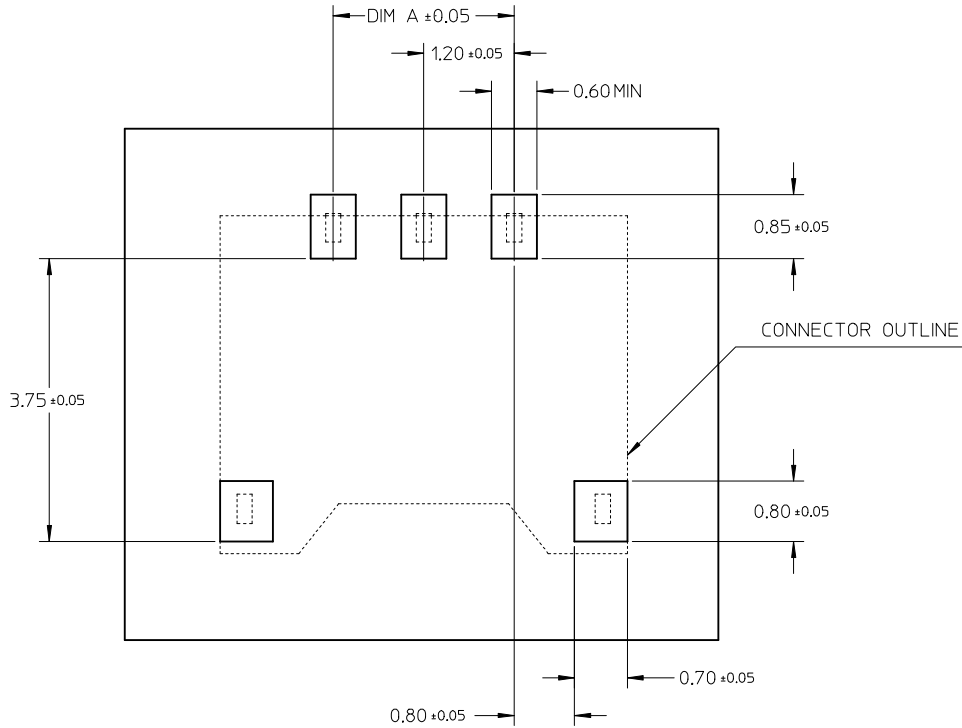


CKT SIZE	PART NUMBER	DIM A	DIM B	DIM C	DIM K
2	78171-0002	1.2	2.6	4.2	1.5
3	78171-0003	2.4	3.8	5.4	2.7
4	78171-0004	3.6	5.0	6.6	3.9
5	78171-0005	4.8	6.2	7.8	5.1

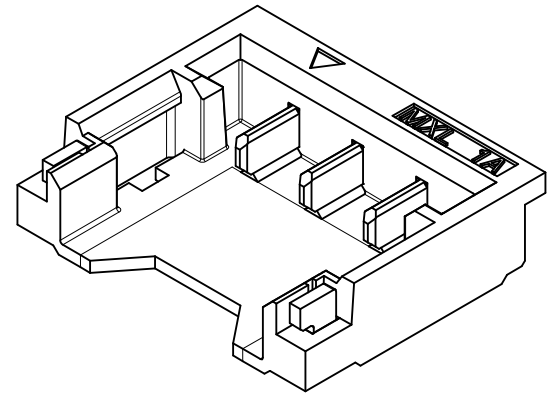
MATING VIEW



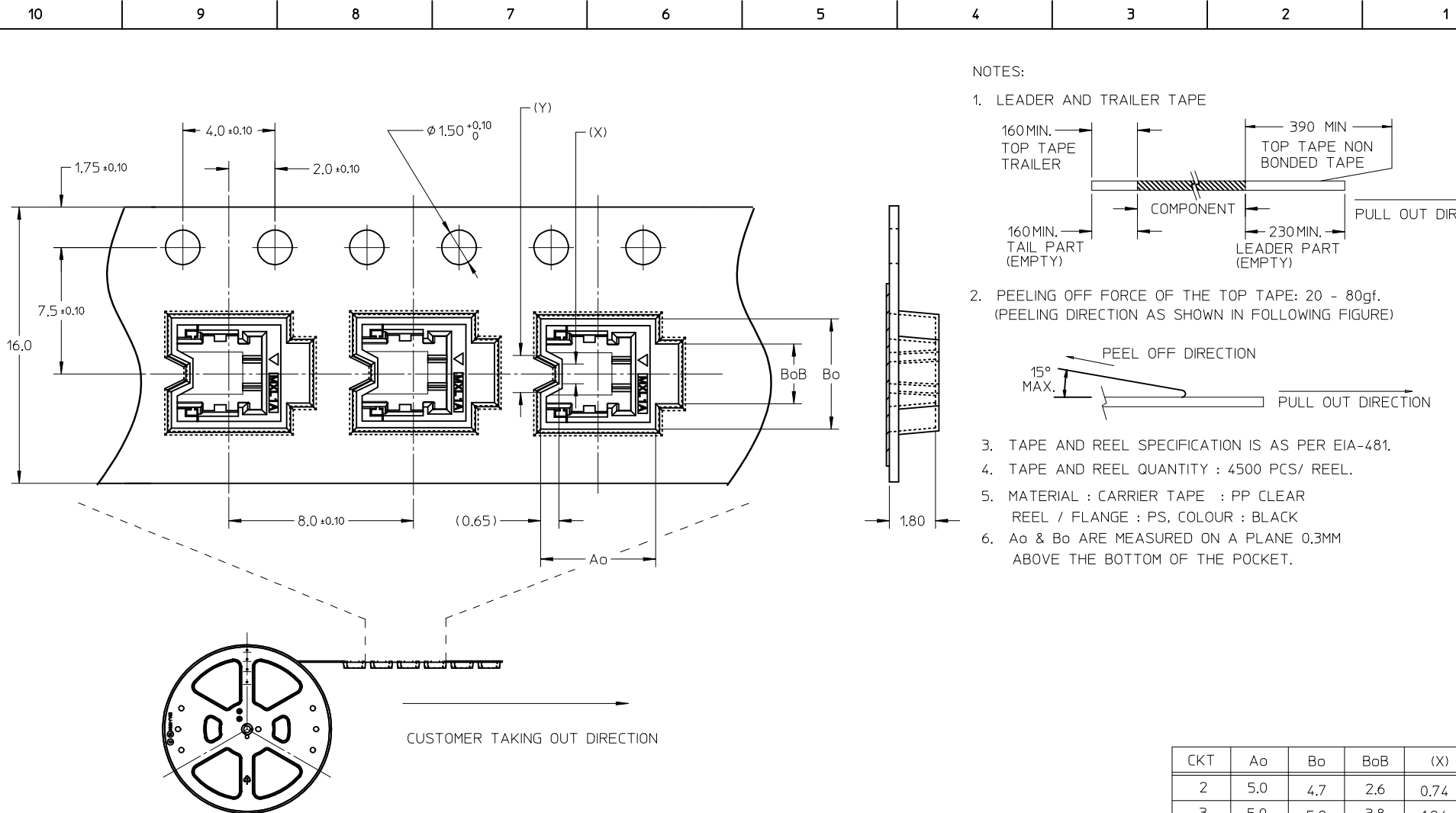
REVISED EC NO: J2015-0470 DRWN: YWAKE 2014/10/02 CHKD: KASAKAWA 2014/10/02 APPR: NUKITA 2014/10/15 G	GENERAL TOLERANCES (UNLESS SPECIFIED)		DIMENSION STYLE MM ONLY	SCALE ---	DESIGN UNITS METRIC	THIRD ANGLE PROJECTION
	10 UNDER	±0.2	DRAWN BY CWLAM	DATE 2007/10/25	TITLE 1.20MM PITCH, W-T-B HEADER CONNECTOR	
	10 OVER 30 UNDER	±0.25	CHECKED BY KSSHANTHA	DATE 2007/12/07		
	30 OVER	±0.3	APPROVED BY NUKITA	DATE 2010/10/25		
ANGULAR	±3 °	MATERIAL NO.		DOCUMENT NO.	SHEET NO.	
DRAFT WHERE APPLICABLE MUST REMAIN WITHIN DIMENSIONS		SEE CHART		SD-78171-008	1 OF 3	
THIS DRAWING CONTAINS INFORMATION THAT IS PROPRIETARY TO MOLEX INCORPORATED AND SHOULD NOT BE USED WITHOUT WRITTEN PERMISSION						



RECOMMENDED PCB LAYOUT



SEE SHEET 1 EC NO: J2015-0470 DRWN: YWAKE 2014/10/02 CHKD: KASAKAWA 2014/10/02 APPR: NUKITA 2014/10/15	GENERAL TOLERANCES (UNLESS SPECIFIED)		DIMENSION STYLE MM ONLY	SCALE ---	DESIGN UNITS METRIC	THIRD ANGLE PROJECTION
	10 UNDER	±0.2	DRAWN BY CWLAM	DATE 2007/10/25	TITLE 1.20MM PITCH, W-T-B HEADER CONNECTOR	
	10 OVER 30 UNDER	±0.25	CHECKED BY KSSHANTHA	DATE 2007/12/07		
	30 OVER	±0.3	APPROVED BY NUKITA	DATE 2010/10/25		
	ANGULAR ±3 °		MATERIAL NO.	DOCUMENT NO.		SHEET NO.
DRAFT WHERE APPLICABLE MUST REMAIN WITHIN DIMENSIONS		SEE SHEET 1		SD-78171-008		2 OF 3
		SIZE A3		THIS DRAWING CONTAINS INFORMATION THAT IS PROPRIETARY TO MOLEX INCORPORATED AND SHOULD NOT BE USED WITHOUT WRITTEN PERMISSION		



NOTES:

- LEADER AND TRAILER TAPE
- PEELING OFF FORCE OF THE TOP TAPE: 20 - 80gf.
 (PEELING DIRECTION AS SHOWN IN FOLLOWING FIGURE)
- TAPE AND REEL SPECIFICATION IS AS PER EIA-481.
- TAPE AND REEL QUANTITY : 4500 PCS/ REEL.
- MATERIAL : CARRIER TAPE : PP CLEAR
 REEL / FLANGE : PS, COLOUR : BLACK
- Ao & Bo ARE MEASURED ON A PLANE 0.3MM ABOVE THE BOTTOM OF THE POCKET.

CKT	Ao	Bo	BoB	(X)	(Y)
2	5.0	4.7	2.6	0.74	1.54
3	5.0	5.9	3.8	1.94	2.74
4	5.0	7.1	5.0	3.14	3.94
5	5.0	8.3	6.2	4.34	5.14

SEE SHEET 1 EC NO: J2015-0470 DRWN: YAKE 2014/10/02 CHKD: KASAKAWA 2014/10/02 APPR: NUKITA 2014/10/15	GENERAL TOLERANCES (UNLESS SPECIFIED)		DIMENSION STYLE MM ONLY	SCALE ---	DESIGN UNITS METRIC	THIRD ANGLE PROJECTION
	10 UNDER	± 0.2	DRAWN BY CWLAM	DATE 2007/10/25	TITLE 1.20MM PITCH, W-T-B HEADER CONNECTOR	
	10 OVER 30 UNDER	± 0.25	CHECKED BY KSSHANTHA	DATE 2007/12/07	molex	
	30 OVER	± 0.3	APPROVED BY NUKITA	DATE 2010/10/25		
ANGULAR ± 3 °		MATERIAL NO. SEE SHEET 1		DOCUMENT NO. SD-78171-008	SHEET NO. 3 OF 3	
DRAFT WHERE APPLICABLE MUST REMAIN WITHIN DIMENSIONS		THIS DRAWING CONTAINS INFORMATION THAT IS PROPRIETARY TO MOLEX INCORPORATED AND SHOULD NOT BE USED WITHOUT WRITTEN PERMISSION				

F

E

D

C

B

A

F

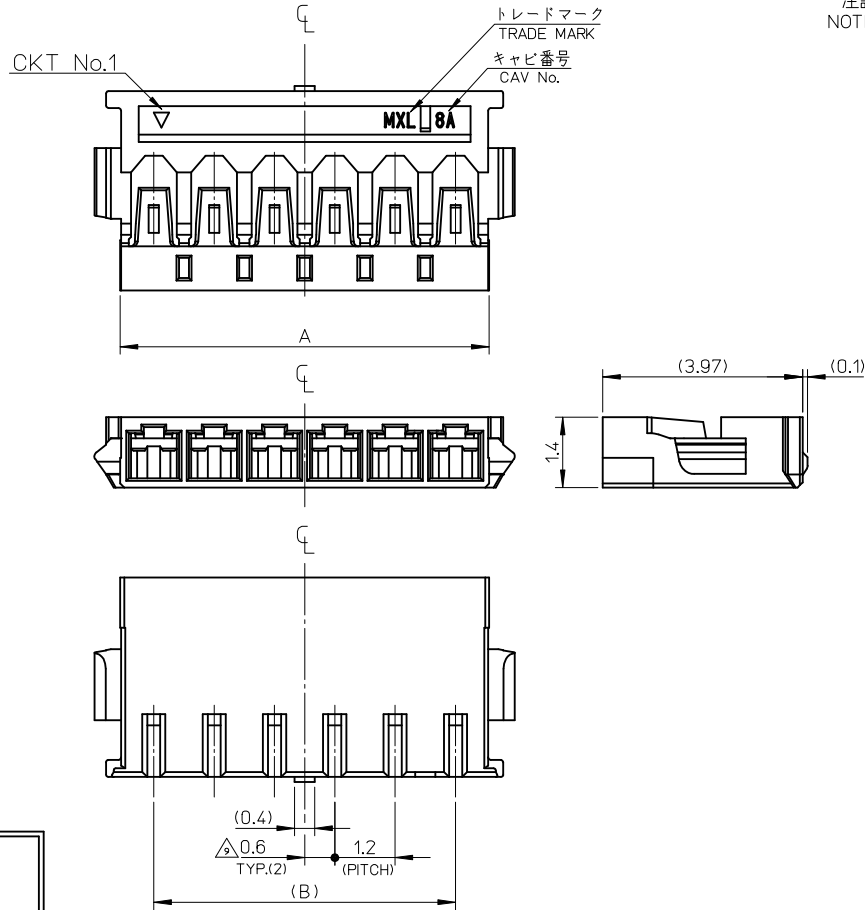
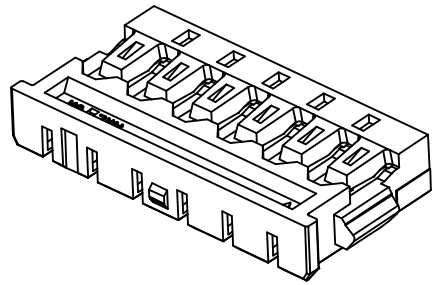
E

D

C

B

A

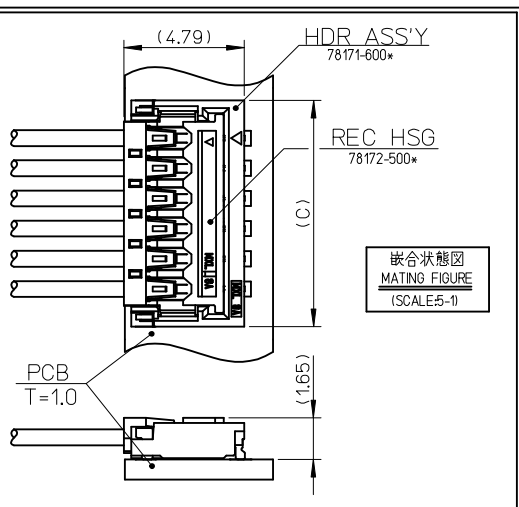


- 注記 NOTES.
- 材質 ハウジング: PA46, UL94V-0, 色: 黒
MATERIALS HOUSING: PA46, UL94V-0, COLOUR: BLACK
 - 適合ターミナル: 78172-041*
APPLICABLE TERMINAL: 78172-041*
 - 嵌合相手: 78171-500*
MATES WITH 極数 No. / CIRCUIT No.
 - 梱包形態: 袋詰め梱包
PACKAGING SPECIFICATION: PLASTIC BAG PACKAGING
 - 製品番号は右記の内容を示す: 78172-500*
PRODUCT NUMBER INDICATES FOLLOWING 極数 No. / CIRCUIT No.
 - ELV 及び RoHS 適合品
ELV AND RoHS COMPLIANT
 - 参考として本製品評価時に使用の電線仕様を以下に示します。
THE ELECTRIC WIRE SPECIFICATION USED AS REFERENCE AT THE TIME OF THIS PRODUCT EVALUATION IS SHOWN BELOW.

※製品評価時使用電線

UL 3302 電線 UL STYLE 3302				
電線サイズ WIRE SIZE	導体仕様 CONDUCTOR SPEC.	導体構成 STRANDING (No./mm)	導体外径 CONDUCTOR DIA. (mm)	絶縁体外径 INSULATION DIA. (mm)
AWG# 30	錫メッキ軟銅線 TINNED ANNEALED COPPER	7/0.10	0.30	0.70
UL 3302 電線 UL STYLE 3302				
電線サイズ WIRE SIZE	導体仕様 CONDUCTOR SPEC.	導体構成 STRANDING (No./mm)	導体外径 CONDUCTOR DIA. (mm)	絶縁体外径 INSULATION DIA. (mm)
AWG# 28	錫メッキ軟銅線 TINNED ANNEALED COPPER	7/0.127	0.38	0.6

- 製品の取扱いについては取扱説明書"AS-78172-001"を参照願います。
REFER TO INSTRUCTION MANUAL "AS-78172-001"
- 偶数極の製品に適用
APPLY EVEN CIRCUIT PRODUCTS.



8.54	7.2	10.2	7	78172-5007	78172-500*
7.34	6	9	6	78172-5006	
A	B	C	CKT	△ MATERIAL NO.	MODEL NO.

REVISED REV NO: J2016-0282 DRAWN: TAKAIKE 2015/09/14 CHKD: KASAKAWA 2015/09/15 APPR: NUKITA ZINBOKU/MS	GENERAL TOLERANCES (UNLESS SPECIFIED)		DIMENSION STYLE MM ONLY		SCALE 10:1	DESIGN UNITS METRIC	THIRD ANGLE PROJECTION
	0.25 UNDER	±0.03	DRAWN BY T. ODA		TITLE 12W/B CONN REC CRIMP HSG		
	0.25 OVER	0.5 UNDER	±0.05	DATE 08/06/16			
	0.5 OVER	1.0 UNDER	±0.1	CHECKED BY SA. SATO			
	1.0 OVER	10 UNDER	±0.2	DATE 08/06/16			
10 OVER	30 UNDER	±0.25	APPROVED BY S. ICHIKAWA		DOCUMENT NO. SD-78172-001		
30 OVER		±0.3	DATE 08/06/16		SHEET NO. 1 OF 1		
ANGULAR ±1 °		SEE TABLE		THIS DRAWING CONTAINS INFORMATION THAT IS PROPRIETARY TO MOLEX INCORPORATED AND SHOULD NOT BE USED WITHOUT WRITTEN PERMISSION			
DRAFT WHERE APPLICABLE MUST REMAIN WITHIN DIMENSIONS							