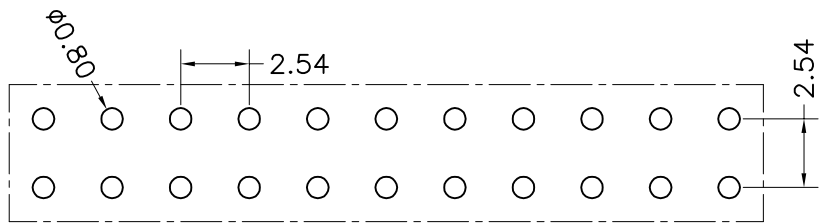
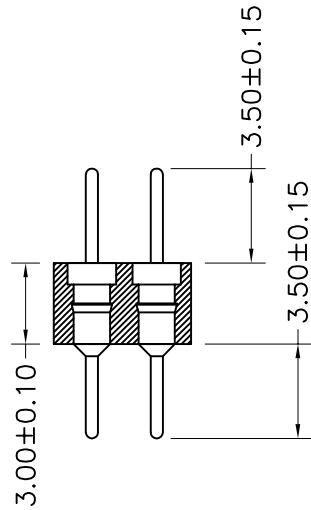
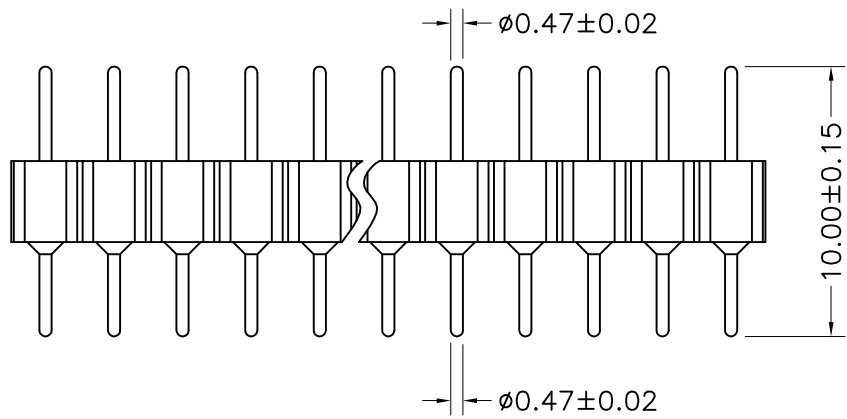
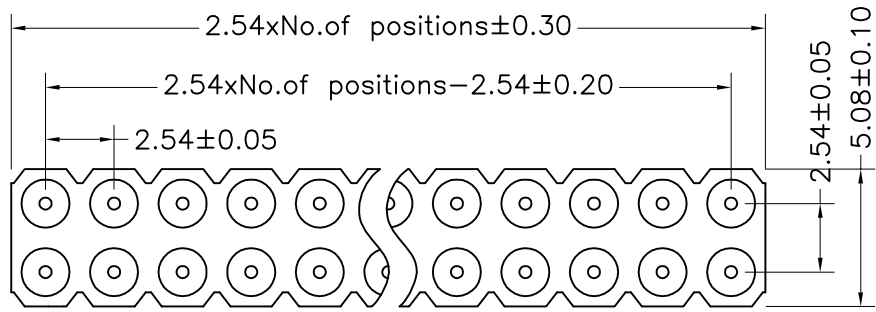


环保物料

TEL:0769-82001899



P. C. B LAYOUT

Technical Data

Material:

Pin(outer sleeve):Brass,machined CuZn38Pb2

Plating(outer sleeve):

Tin Plated:2μm/80μ"NI, 5μm/200μ"Sn

Gold Plated:2μm"/80μ"Ni, 0.8μ" gold

Insuiator:PPS UL94V-0

Electrical:

Current rating:3Amps/contact max.

Contact resistance:≤4mΩ/contact

Insuiation resistance:≥1000MΩ at V=100V

Dlelectric Withstanding Voltage:1000V AV Min

Operaling voitage:60VAC/DC

Mechanical:

Operaling temperature:-40° C to+105° C

Soldering temperature:+255° C

TOLERANCE UNLESS OTHERWISE

X.	±0.30	X°	±5°
.X	±0.20	.X°	±2°
.XX	±0.08	.XX°	±1°
.XXX	±0.03	.XXX°	±0.5°

DRAWN	CK tan
CHKD	
APPD	
VIEW	

XFCN 兴飞连接器有限公司
XFCN CONNECTORS CO.,LTD.

PRODUCT NAME	2.54mm Machined Pin Header
PART. NO.	MH254V-12-xx-1000-047

SHEET	1/1
DATE	2020.04.12
UNITS	mm
SCALE	1:1
DWG. NO.	009

AO

VER

MODIFICATION

DRAW

DATE