



REV.	ECN NO.	REVISED	DATE

NOTE:

1.MATERIAL:

- a.HOUSING:PA10T
- b.CONTACT:PHOSPHOR BRONZE
(SURFACE PLATING: Si 3u")

SEE ORDERING INFORMATION

2.ELECTRIC:

- a.CONTACT RESISTANCE: 30 MILLIOHMS MAX
- b.INSULATION RESISTANCE: 1000 MEGA OHMS MIN
- c.DIELECTNIC VOLTAGE: 500V AC ONE SEC LEVEL
- d.OPERATING TEMPERATURE: -55°C~ +85°C

ORDERING INFORMATION

BS-24-B*007**

电池座系列

BS-24系列

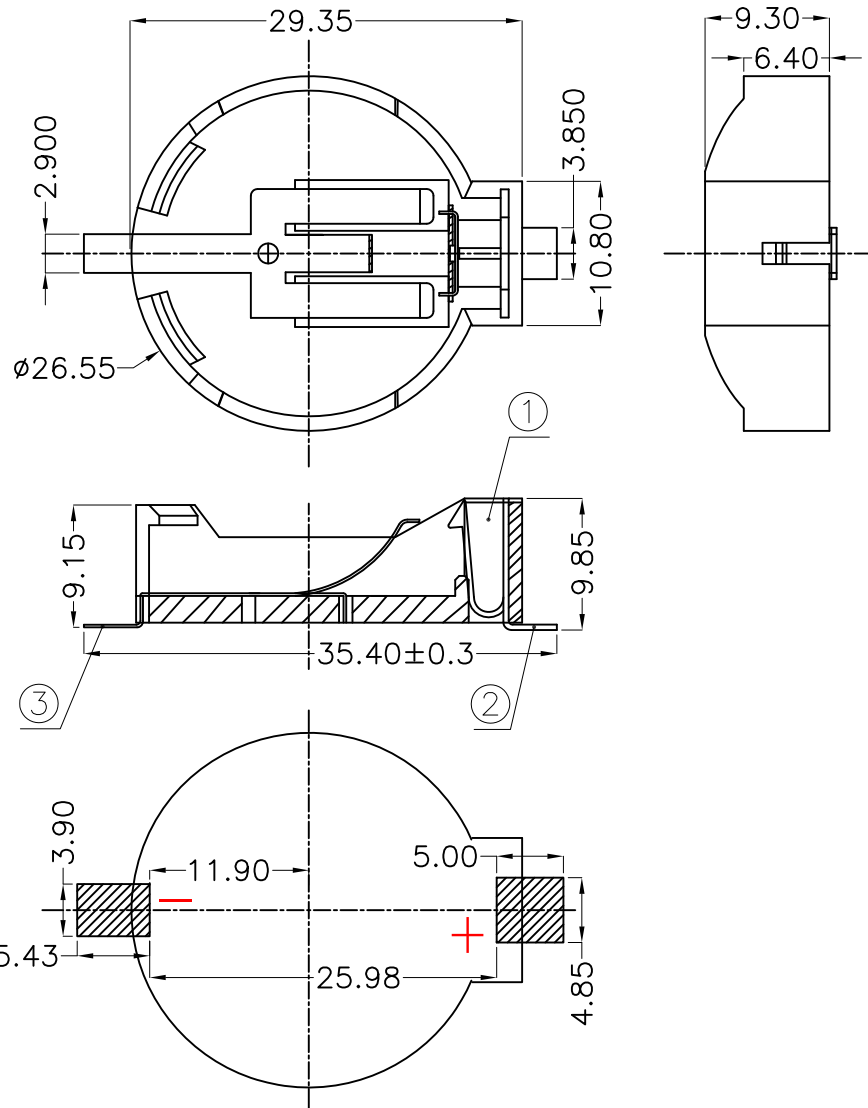
SMT 180° TYPE

PLATING:

- A-Au1U"
- J-Ni100U"~120U"
- K-Sn100U"~120U"
- M-Si3U"~Ni10U"

MATERIAL:

- 1A-PBT BLACK
- 1B-PA66 BLACK
- 2A-PPA BROWN
- 2B-PPA BLACK
- 3A-PPS BROWN
- 3B-PPS BLACK
- 4A-LCP WHITE
- 4B-LCP BLACK
- 5A-PA10T BLACK



PCB Layout Diagram
Top View

3	TERMINAL(-)	1	PHOSPHOR BRONZE, T=0.20mm	Si Plating
2	TERMINAL(+)	1	PHOSPHOR BRONZE, T=0.40mm	Si Plating
1	HOUSING	1	PA10T	BLACK
NO.	PART NAME	Q'TY	MATERIAL	PLATING & COLOR

UNLESS OTHERWISE SPECIFIED TOLERANCES		MYOUNG 美阳 www.meiyangdz.com	
DECIMALS: X :±0.30 X.X :±0.25 X.XX :±0.20 X.XXX :±0.10	ANGLES: X :±1° X.X :±0.5°	DSND YangFeng	DATE 2019-02-28
WEIGHT: 1.8g		CHKD ZhouRuicai	DATE 2019-02-28
SHEET 1 OF 1		APVD XueShunyong	DATE 2019-02-28
UNIT: mm	REV.: A/0	SCALE: 3:1	SIZE: A4
OBJECT: MY	DRAW NO.:WD-CP-0040	VIEW:	PART NO.: BS-24-B5AM007
TITLE: BS-2450-3 PA10T SMT		DATE 2019-02-28	