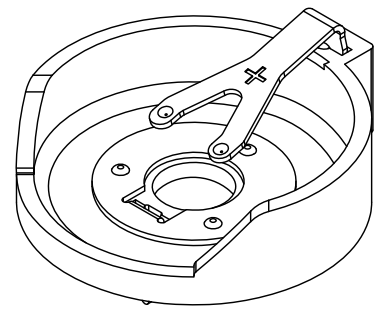
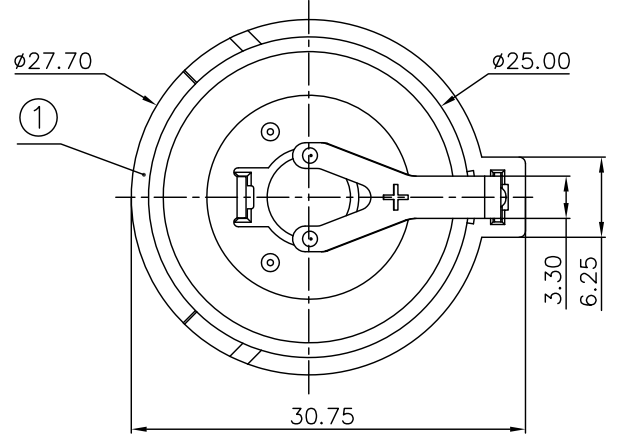




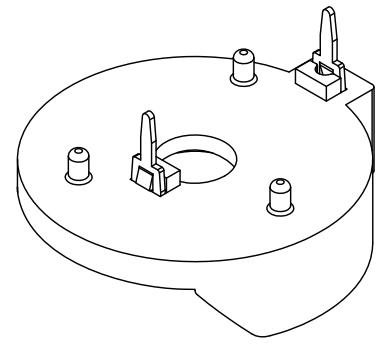
REV.	ECN NO.	REVISED	DATE



NOTE:

1.MATERIAL:
a.HOUSING:PBT
b.CONTACT:Mn Steel
(SURFACE PLATING: Ni100u"-120u")
SEE ORDERING INFORMATION

2.ELECTRIC:
a.CONTACT RESISTANCE: 500 MILLIOHMS MAX
b.INSULATION RESISTANCE: 1000 MEGA OHMS MIN
c.DIELECTNIC VOLTAGE: 500V AC ONE SEC LEVEL
d.OPERATING TEMPERATURE: -25°C ~ +85°C



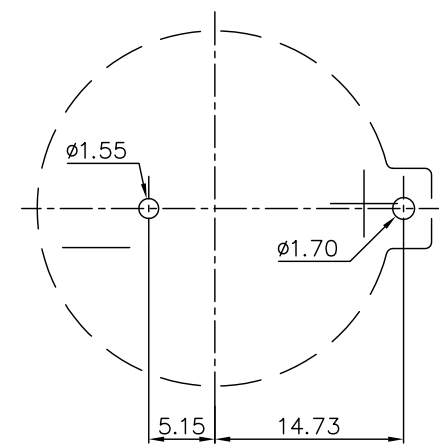
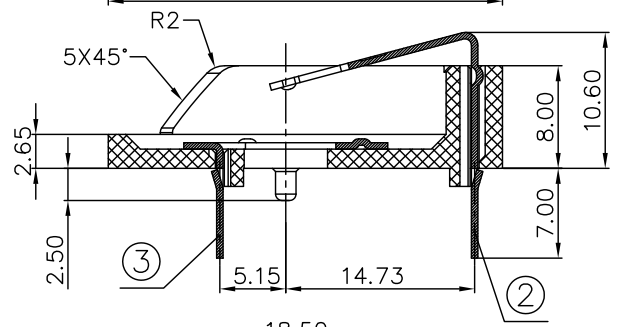
ORDERING INFORMATION

BS-24-A1AJ022

电池座系列 — PLATING:
A-Au1U"
J-Ni100U"~120U"
K-Sn100U"~120U"

BS-24系列 — MATERIAL:
1A-PBT BLACK
1B-PA66 BLACK
2A-PPA BROWN
2B-PPA BLACK
3A-PPS BROWN
3B-PPS BLACK
4A-LCP WHITE
4B-LCP BLACK

DIP 90° TYPE



PCB Layout Diagram
Top View



3	TERMINAL(-)	1	Mn Steel,T=0.50mm	Ni Plating
2	TERMINAL(+)	1	Mn Steel,T=0.50mm	Ni Plating
1	HOUSING	1	PBT	BLACK
NO.	PART NAME	Q'TY	MATERIAL	PLATING & COLOR

UNLESS OTHERWISE SPECIFIED TOLERANCES		MYOUNG 美阳 www.meiyangdz.com	
DECIMALS: X :±0.30 X.X :±0.25 X.XX :±0.20 X.XXX :±0.10	ANGLES: X :±1° X.X :±0.5°	DSND YangFeng	DATE 2020-05-20
WEIGHT: 9		CHKD ZhouRuicai	DATE 2020-05-20
SHEET 1 OF 1		APVD XueShunyong	DATE 2020-05-20
SCALE: VIEW:		TITLE: BS-2477-2 正极双叉	
UNIT: mm		PART NO.: BS-24-A1AJ022	
REV.: A/0		DRAW NO.:MY-CP-0225	