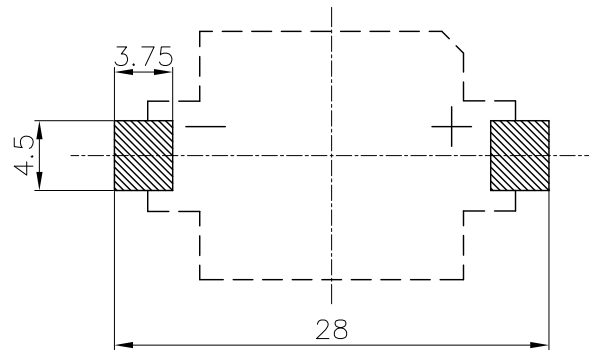
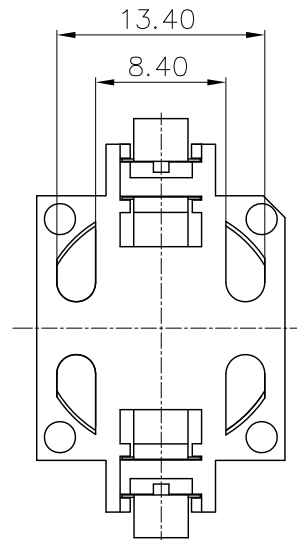
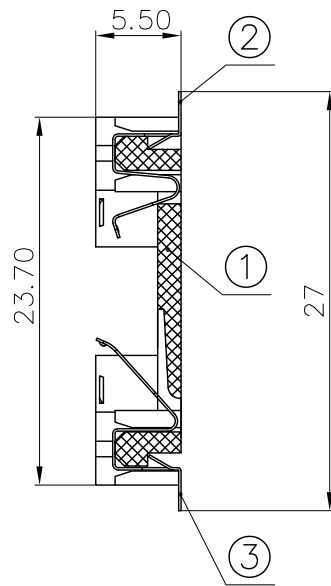
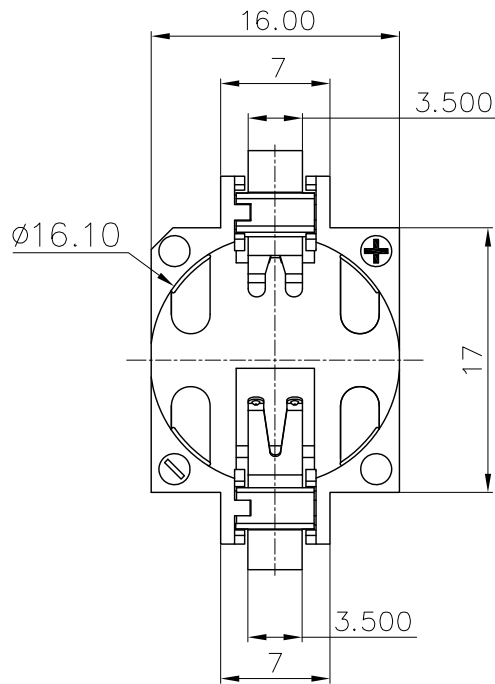




REV.	ECN NO.	REVISED	DATE
A/1	MY20200401001	LQ.HUANG	2020.04.01



PCB Layout Diagram
Top View

NOTE:

- MATERIAL:
 - HOUSING:LCP
 - CONTACT:PHOSPHOR BRONZE
(SURFACE PLATING: Sn100U~120U)
SEE ORDERING INFORMATION
- ELECTRIC:
 - CONTACT RESISTANCE: 30 MILLIOHMS MAX
 - INSULATION RESISTANCE: 100 MEGA OHMS MIN
 - DIELECTNIC VOLTAGE: 500V AC ONE SEC LEVEL
 - OPERATING TEMPERATURE: -40°C~ +85°C

ORDERING INFORMATION

BS-16-B***003

电池座系列

BS-16系列

SMT 180° TYPE

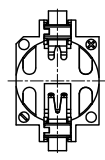
PLATING:
A-Au1U"
J-Ni100U"~120U"
K-Sn100U"~120U"

MATERIAL:
1A-PBT BLACK
1B-PA66 BLACK
2A-PPA BROWN
2B-PPA BLACK
3A-PPS BROWN
3B-PPS BLACK
4A-LCP WHITE
4B-LCP BLACK

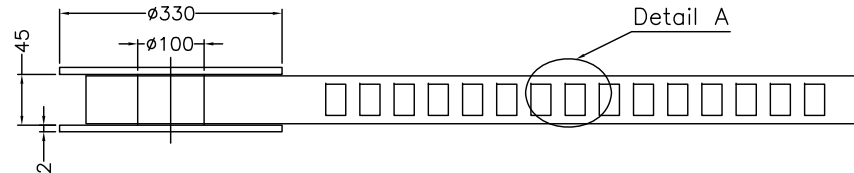
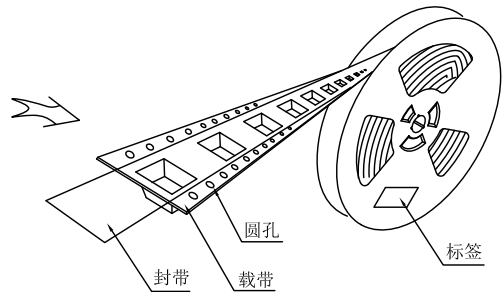


3	TERMINAL(-)	1	PHOSPHOR BRONZE, T=0.15mm	Sn-Plating
2	TERMINAL(+)	1	PHOSPHOR BRONZE, T=0.15mm	Sn-Plating
1	HOUSING	1	LCP	WHITE
NO.	PART NAME	Q'TY	MATERIAL	PLATING & COLOR

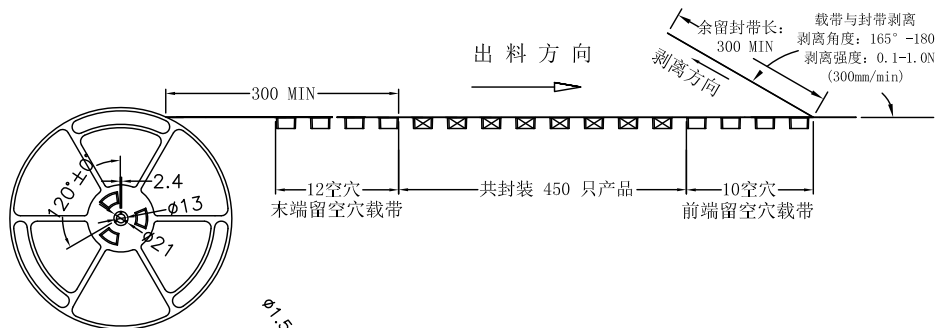
UNLESS OTHERWISE SPECIFIED TOLERANCES		MYOUNG 美阳 www.meiyangdz.com	
DECIMALS: X :±0.30 X.X :±0.25 X.XX :±0.20 X.XXX :±0.10	ANGLES: X :±1° X.X :±0.5°	DSND YangFeng	DATE 2020-04-01
WEIGHT: 1.34g		CHKD ZhouRuicai	DATE 2020-04-01
SHEET 1 OF 1		APVD XueShunyong	DATE 2020-04-01
UNIT: mm	REV.: A/1	SCALE: 2:1	VIEW:
OBJECT: MY	TITLE: BS-1632-1 SMT	SIZE: A4	PART NO.: BS-16-B4AK003
OBJECT: MY	DRAW NO.:MY-CP-0085	VIEW:	



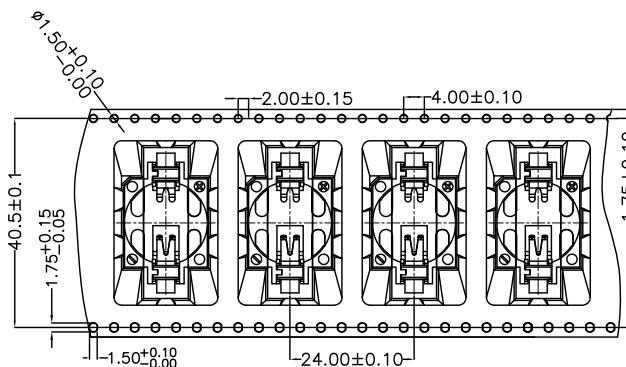
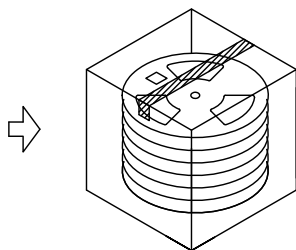
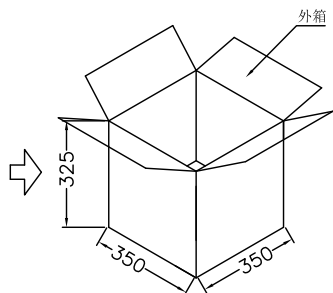
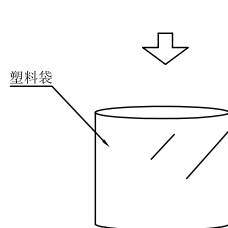
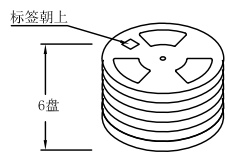
产品



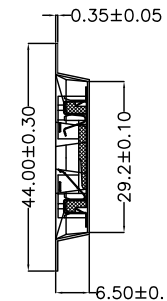
Detail A



余留封带长: 300 MIN
载带与封带剥离角度: 165°-180°
剥离强度: 0.1-1.0N (300mm/min)



Detail A



技术要求:

1. 圆孔十个孔距离累计允许公差为±0.2mm
2. 带长250mm内容许弯曲度1mm
3. 材料厚度以在载带边缘测量为准
4. 所有尺寸定义依循EIA-481-C系准则定义之
5. 材料: 黑色PS T=0.35mm
6. 所有卷轮为灰蓝挖空旋转塑胶卷轮
7. 整模成型长度: 11.328M,
8. 非指明公差范围为: ±0.1mm; 超过250mm不计算累计误差
9. 型腔外形凡未标明处倒角R为0.2-0.3; 拔模斜度未标注的为3° 以下

包装信息:

- 1、每卷盘装产品 450 只, 卷盘外侧贴相关标签;
- 2、每 6 卷盘放在一个塑料袋中;
- 3、每外箱装6盘, 产品总数: 2700 只;
- 4、外箱上下用胶纸封成“工”字;
- 5、净重: 3.42 KG, 毛重: 5.6 KG。



UNLESS OTHERWISE SPECIFIED TOLERANCES		MYOUNG 美阳 www.meiyangdz.com				
DECIMALS: X : ±*** X.X : ±*** X.XX : ±*** X.XXX : ±***	ANGLES: X : ±*** X.X : ±***	DSND	YangFeng	DATE	2017-12-01	TITLE:
		CHKD	ZhouRuicai	DATE	2017-12-01	BS-1632-1 SMT 卷装
		APVD	XueShunyong	DATE	2017-12-01	PART NO.:
WEIGHT:		SCALE: 3:1	SIZE: A4	VIEW:	BS-16-B***00*-R	
SHEET 1 OF 1		UNIT: mm	REV.: A/0	OBJECT: MY	DRAW NO.:MY-BD-0012	