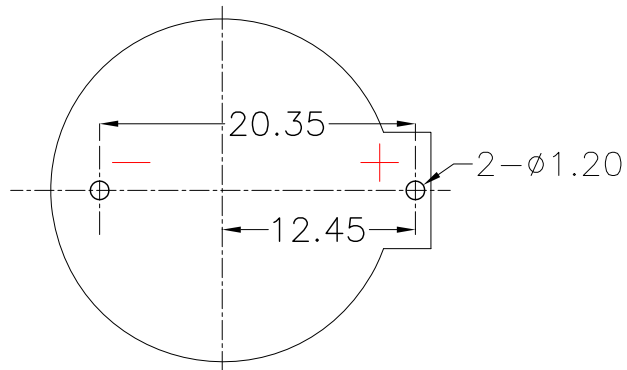
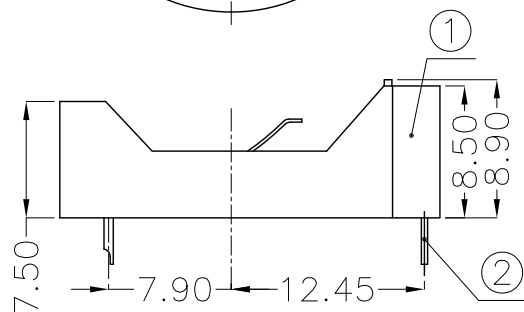
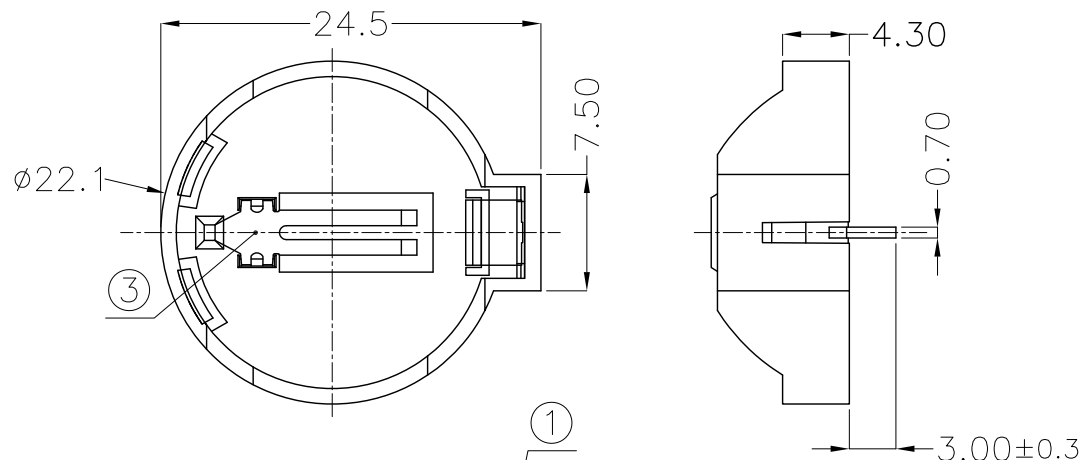




REV.	ECN NO.	REVISED	DATE



PCB Layout Diagram
Top View

NOTE:

1.MATERIAL:

a.HOUSING:PBT UL 94V-0

b.CONTACT:PHOSPHOR BRONZE

(SURFACE PLATING:Ni=100u"-120u")

SEE ORDERING INFORMATION

2.ELECTRIC:

a.CONTACT RESISTANCE: 100 MILLIOHMS MAX

b.INSULATION RESISTANCE: 500 MEGA OHMS MIN

c.DIELECTNIC VOLTAGE: 500V AC ONE SEC LEVEL

d.OPERATING TEMPERATURE: -25°C~ +85°C

ORDERING INFORMATION

BS-02-A*006**

电池座系列

BS-02系列

DIP 90° TYPE

PLATING:

A-Au1U"

J-Ni100U"~120U"

K-Sn100U"~120U"

MATERIAL:

1A-PBT BLACK

1B-PA66 BLACK

2A-PPA BROWN

2B-PPA BLACK

3A-PPS BROWN

3B-PPS BLACK

4A-LCP WHITE

4B-LCP BLACK



UNLESS OTHERWISE SPECIFIED TOLERANCES		MYOUNG 美阳 www.meiyangdz.com					
DECIMALS: X :±0.30 X.X :±0.25 X.XX :±0.20 X.XXX :±0.10	ANGLES: X :±1° X.X :±0.5°	DSND	YangFeng	DATE	2020-08-05	TITLE:	
		CHKD	ZhouRuicai	DATE	2020-08-05	BS-2032-2-1 2.0 DIP 盐雾72H	
		APVD	XueShun Yong	DATE	2020-08-05	PART NO.:	
WEIGHT: 1.56g		SCALE: 2:1	SIZE: A4	VIEW:	BS-02-A1AJ006		
SHEET 1 OF 1		UNIT: mm	REV.: A/1	OBJECT: MY	DRAW NO.:MY-CP-0235		

NO.	PART NAME	Q'TY	MATERIAL	PLATING & COLOR
3	TERMINAL(-)	1	PHOSPHOR BRONZE, T=0.20mm	Ni Plating
2	TERMINAL(+)	1	PHOSPHOR BRONZE, T=0.40mm	Ni Plating
1	HOUSING	1	PBT	BLACK