

FEATURES

- Wide Operating Input Voltage Range: 4V to 140V
- Internal Low Resistance Power MOSFET
- No Compensation Required
- Adjustable 20mA to 250mA Maximum Output Current
- Low Dropout Operation: 100% Duty Cycle
- Low Quiescent Current: 12 μ A
- Wide Output Range: 0.8V to V_{IN}
- 0.8V \pm 1% Feedback Voltage Reference
- Precise RUN Pin Threshold
- Internal or External Soft-Start
- Programmable 1.8V, 3.3V, 5V or Adjustable Output
- Few External Components Required
- Programmable Input Overvoltage Lockout
- Thermally Enhanced High Voltage MSOP Package

APPLICATIONS

- Industrial Control Supplies
- Medical Devices
- Distributed Power Systems
- Portable Instruments
- Battery-Operated Devices
- Avionics
- Automotive

DESCRIPTION

The LTC[®]3638 is a high efficiency step-down DC/DC regulator with internal power switch that draws only 12 μ A typical DC supply current while maintaining a regulated output voltage at no load.

The LTC3638 can supply up to 250mA load current and features a programmable peak current limit that provides a simple method for optimizing efficiency and for reducing output ripple and component size. The LTC3638's combination of Burst Mode[®] operation, integrated power switch, low quiescent current, and programmable peak current limit provides high efficiency over a broad range of load currents.

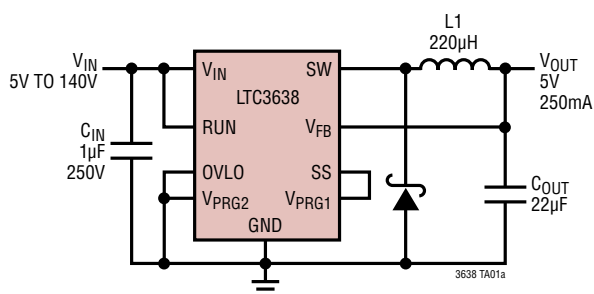
With its wide input range of 4V to 140V and programmable overvoltage lockout, the LTC3638 is a robust regulator suited for regulating from a wide variety of power sources. Additionally, the LTC3638 includes a precise run threshold and soft-start feature to guarantee that the power system start-up is well-controlled in any environment. A feedback comparator output enables multiple LTC3638s to be connected in parallel for higher current applications.

The LTC3638 is available in a thermally enhanced high voltage-capable 16-lead MSE package with four missing pins.

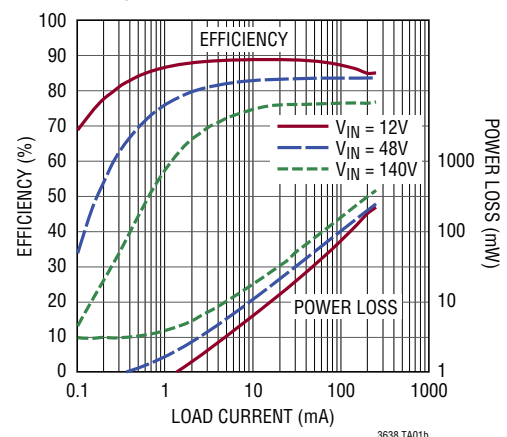
LT, LT, LTC, LTM, Burst Mode, Linear Technology and the Linear logo are registered trademarks of Linear Technology Corporation. All other trademarks are the property of their respective owners.

TYPICAL APPLICATION

5V to 140V Input to 5V Output, 250mA Step-Down Regulator



Efficiency and Power Loss vs Load Current



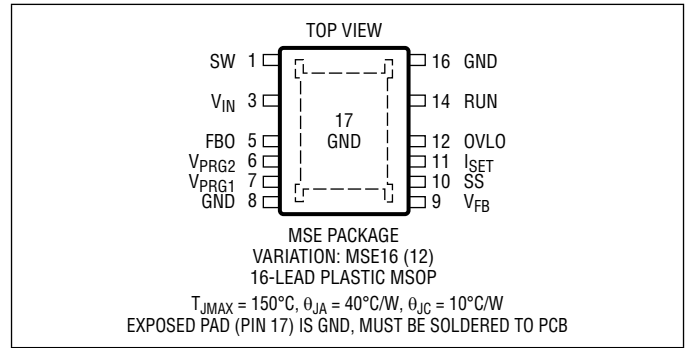
LTC3638

ABSOLUTE MAXIMUM RATINGS

(Note 1)

V_{IN} Supply Voltage.....	-0.3V to 140V
RUN Voltage.....	-0.3V to 140V
SS, FBO, OVLO, I_{SET} Voltages.....	-0.3V to 6V
V_{FB} , V_{PRG1} , V_{PRG2} Voltages.....	-0.3V to 6V
Operating Junction Temperature Range (Notes 2, 3, 4)	
LTC3638E, LTC3638I.....	-40°C to 125°C
LTC3638H.....	-40°C to 150°C
LTC3638MP.....	-55°C to 150°C
Storage Temperature Range.....	-65°C to 150°C
Lead Temperature (Soldering, 10 sec).....	300°C

PIN CONFIGURATION



ORDER INFORMATION

LEAD FREE FINISH	TAPE AND REEL	PART MARKING*	PACKAGE DESCRIPTION	TEMPERATURE RANGE
LTC3638EMSE#PBF	LTC3638EMSE#TRPBF	3638	16-Lead Plastic MSOP	-40°C to 125°C
LTC3638IMSE#PBF	LTC3638IMSE#TRPBF	3638	16-Lead Plastic MSOP	-40°C to 125°C
LTC3638HMSE#PBF	LTC3638HMSE#TRPBF	3638	16-Lead Plastic MSOP	-40°C to 150°C
LTC3638MPMSE#PBF	LTC3638MPMSE#TRPBF	3638	16-Lead Plastic MSOP	-55°C to 150°C

Consult LTC Marketing for parts specified with wider operating temperature ranges. *The temperature grade is identified by a label on the shipping container. Consult LTC Marketing for information on non-standard lead based finish parts.

For more information on lead free part marking, go to: <http://www.linear.com/leadfree/>

For more information on tape and reel specifications, go to: <http://www.linear.com/tapeandreel/>

ELECTRICAL CHARACTERISTICS

The ● denotes the specifications which apply over the specified operating junction temperature range, otherwise specifications are at $T_A = 25^{\circ}\text{C}$ (Note 2). $V_{IN} = 12\text{V}$, unless otherwise noted.

SYMBOL	PARAMETER	CONDITIONS	MIN	TYP	MAX	UNITS
Input Supply (V_{IN})						
V_{IN}	Input Voltage Operating Range		4		140	V
V_{OUT}	Output Voltage Operating Range		0.8		V_{IN}	V
UVLO	V_{IN} Undervoltage Lockout	V_{IN} Rising V_{IN} Falling Hysteresis	● 3.5 ● 3.3	3.75 3.5 250	4.0 3.8	V V mV
I_Q	DC Supply Current (Note 5)					
	Active Mode			150	350	μA
	Sleep Mode	No Load		12	22	μA
	Shutdown Mode	$V_{RUN} = 0\text{V}$		1.4	6	μA
V_{RUN}	RUN Pin Threshold	RUN Rising RUN Falling Hysteresis	1.17 1.06	1.21 1.10 110	1.25 1.14	V V mV
I_{RUN}	RUN Pin Leakage Current	RUN = 1.3V	-10	0	10	nA
V_{OVLO}	OVLO Pin Threshold	OVLO Rising OVLO Falling Hysteresis	1.17 1.06	1.21 1.10 110	1.25 1.14	V V mV

3638fa

ELECTRICAL CHARACTERISTICS

The ● denotes the specifications which apply over the specified operating junction temperature range, otherwise specifications are at $T_A = 25^\circ\text{C}$ (Note 2). $V_{IN} = 12\text{V}$, unless otherwise noted.

SYMBOL	PARAMETER	CONDITIONS		MIN	TYP	MAX	UNITS
Output Supply (V_{FB})							
$V_{FB(ADJ)}$	Feedback Comparator Threshold (Adjustable Output)	V_{FB} Rising, $V_{PRG1} = V_{PRG2} = 0\text{V}$ LTC3638E, LTC3638I LTC3638H, LTC3638MP	●	0.792	0.800	0.808	V
			●	0.788	0.800	0.812	V
V_{FBH}	Feedback Comparator Hysteresis (Adjustable Output)	V_{FB} Falling, $V_{PRG1} = V_{PRG2} = 0\text{V}$	●	3	5	9	mV
I_{FB}	Feedback Pin Current	$V_{FB} = 1\text{V}$, $V_{PRG1} = V_{PRG2} = 0\text{V}$		-10	0	10	nA
$V_{FB(FIXED)}$	Feedback Comparator Thresholds (Fixed Output)	V_{FB} Rising, $V_{PRG1} = SS$, $V_{PRG2} = 0\text{V}$ V_{FB} Falling, $V_{PRG1} = SS$, $V_{PRG2} = 0\text{V}$	●	4.94	5.015	5.09	V
			●	4.91	4.985	5.06	V
		V_{FB} Rising, $V_{PRG1} = 0\text{V}$, $V_{PRG2} = SS$ V_{FB} Falling, $V_{PRG1} = 0\text{V}$, $V_{PRG2} = SS$	●	3.25	3.31	3.37	V
			●	3.23	3.29	3.35	V
V_{FB} Rising, $V_{PRG1} = V_{PRG2} = SS$ V_{FB} Falling, $V_{PRG1} = V_{PRG2} = SS$	●	1.78	1.81	1.84	V		
	●	1.77	1.80	1.83	V		
Operation							
I_{PEAK}	Peak Current Comparator Threshold	I_{SET} Floating 100k Resistor from I_{SET} to GND I_{SET} Shorted to GND	●	500	575	650	mA
			●	250	300	350	mA
			●	40	60	80	mA
R_{ON}	Power Switch On-Resistance	$I_{SW} = -100\text{mA}$		1.8			Ω
I_{LSW}	Switch Pin Leakage Current	$V_{IN} = 140\text{V}$, $SW = 0\text{V}$		0.1	1		μA
I_{SS}	Soft-Start Pin Pull-Up Current	$V_{SS} < 2.5\text{V}$		4	5	6	μA
$t_{INT(SS)}$	Internal Soft-Start Time	SS Pin Floating			1		ms

Note 1: Stresses beyond those listed under Absolute Maximum Ratings may cause permanent damage to the device. Exposure to any Absolute Maximum Rating condition for extended periods may affect device reliability and lifetime.

Note 2: The LTC3638 is tested under pulsed load conditions such that $T_J \approx T_A$. The LTC3638E is guaranteed to meet performance specifications from 0°C to 85°C . Specifications over the -40°C to 125°C operating junction temperature range are assured by design, characterization and correlation with statistical process controls. The LTC3638I is guaranteed over the -40°C to 125°C operating junction temperature range, the LTC3638H is guaranteed over the -40°C to 150°C operating junction temperature range and the LTC3638MP is tested and guaranteed over the -55°C to 150°C operating junction temperature range.

High junction temperatures degrade operating lifetimes; operating lifetime is derated for junction temperatures greater than 125°C . Note that the maximum ambient temperature consistent with these specifications is determined by specific operating conditions in conjunction with board layout, the rated package thermal impedance and other environmental factors.

Note 3: The junction temperature (T_J , in $^\circ\text{C}$) is calculated from the ambient temperature (T_A , in $^\circ\text{C}$) and power dissipation (P_D , in Watts) according to the formula:

$$T_J = T_A + (P_D \cdot \theta_{JA})$$

where θ_{JA} is $40^\circ\text{C}/\text{W}$ for the MSOP package.

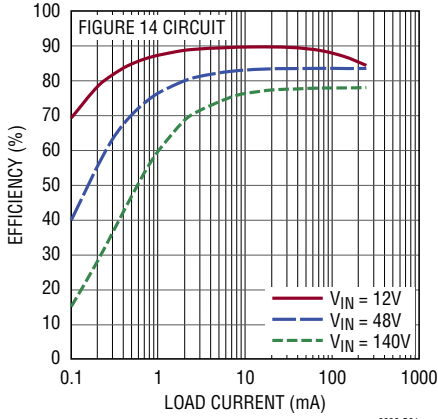
Note that the maximum ambient temperature consistent with these specifications is determined by specific operating conditions in conjunction with board layout, the rated package thermal impedance and other environmental factors.

Note 4: This IC includes overtemperature protection that is intended to protect the device during momentary overload conditions. The maximum rated junction temperature will be exceeded when this protection is active. Continuous operation above the specified absolute maximum operating junction temperature may impair device reliability or permanently damage the device. The overtemperature protection level is not production tested.

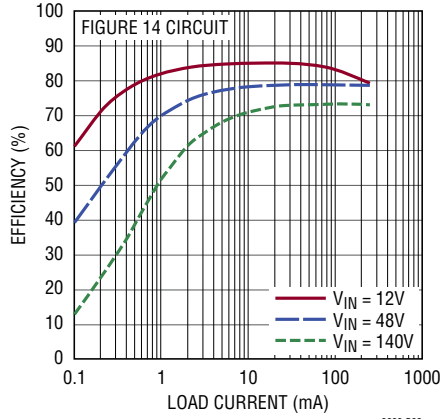
Note 5: Dynamic supply current is higher due to the gate charge being delivered at the switching frequency. See Applications Information.

TYPICAL PERFORMANCE CHARACTERISTICS

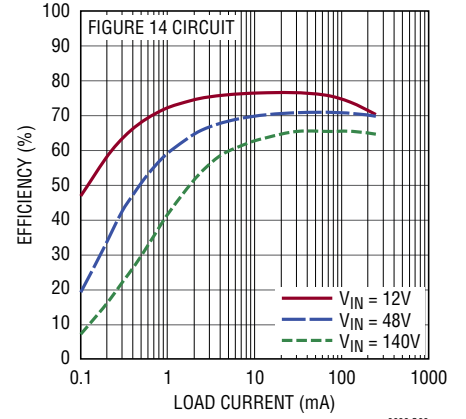
Efficiency vs Load Current, $V_{OUT} = 5V$



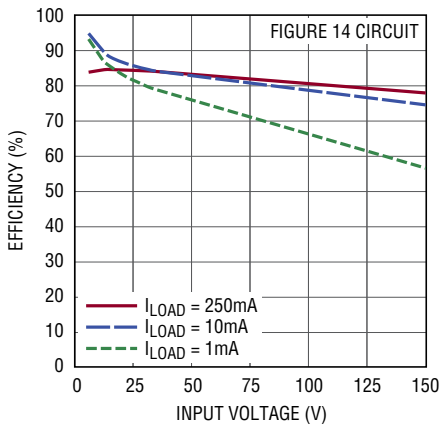
Efficiency vs Load Current, $V_{OUT} = 3.3V$



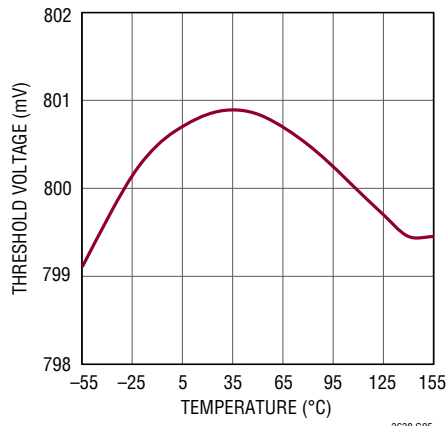
Efficiency vs Load Current, $V_{OUT} = 1.8V$



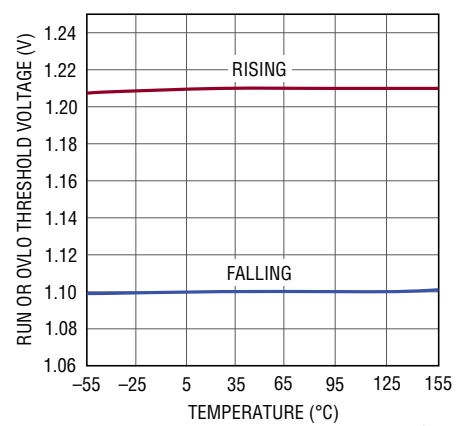
Efficiency vs Input Voltage, $V_{OUT} = 5V$



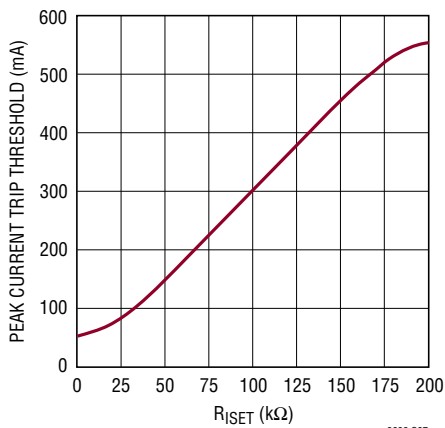
Feedback Comparator Trip Threshold vs Temperature



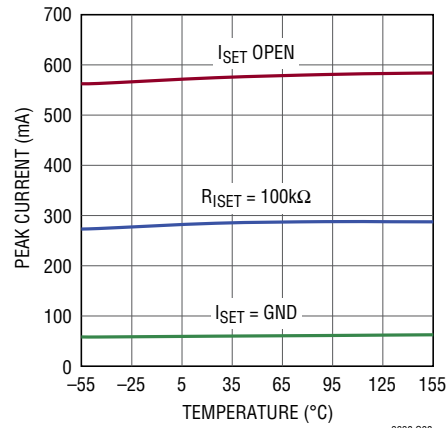
RUN and OVLO Thresholds vs Temperature



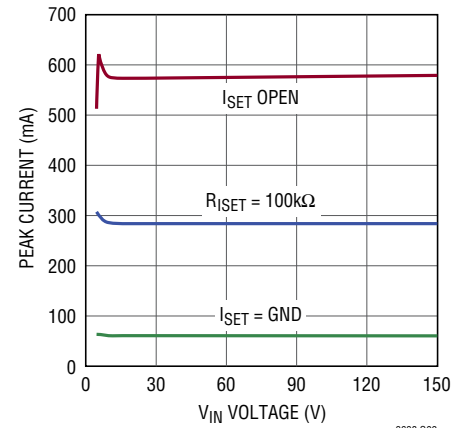
Peak Current Trip Threshold vs R_{ISET}



Peak Current Trip Threshold vs Temperature and I_{SET}

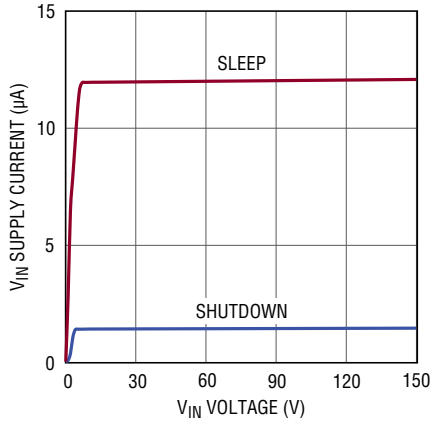


Peak Current Trip Threshold vs Input Voltage



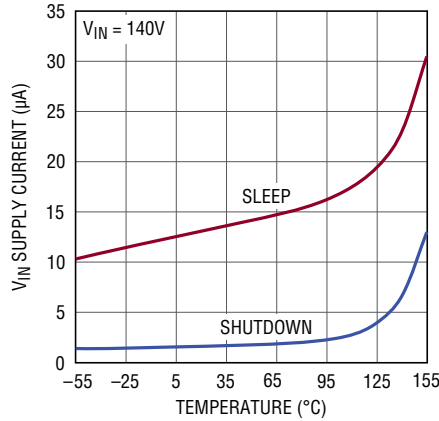
TYPICAL PERFORMANCE CHARACTERISTICS

Quiescent Supply Current vs Input Voltage



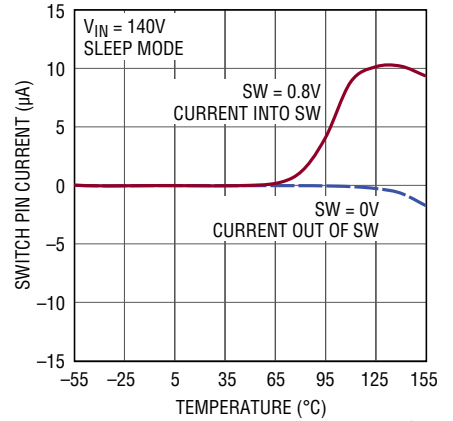
3638 G10

Quiescent Supply Current vs Temperature



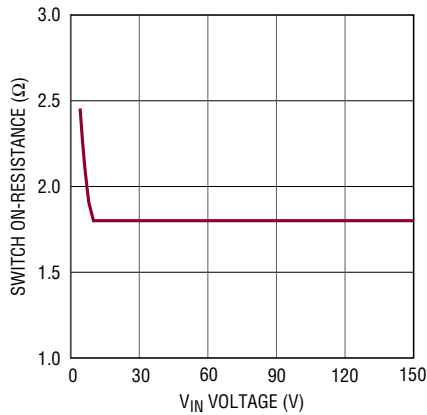
3638 G11

Switch Pin Current vs Temperature



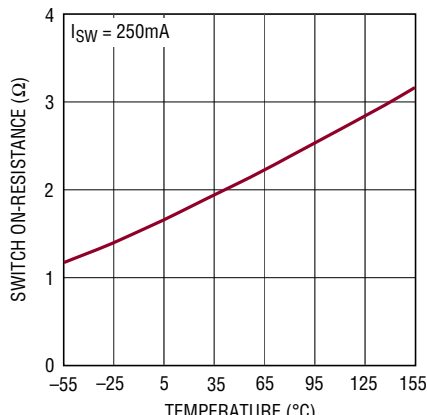
3638 G12

Switch On-Resistance vs Input Voltage



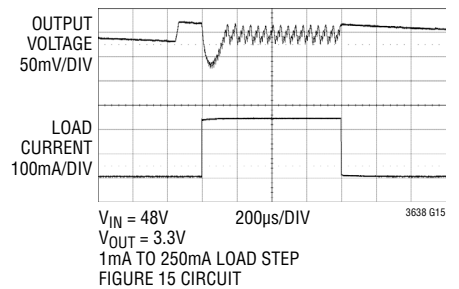
3638 G13

Switch On-Resistance vs Temperature



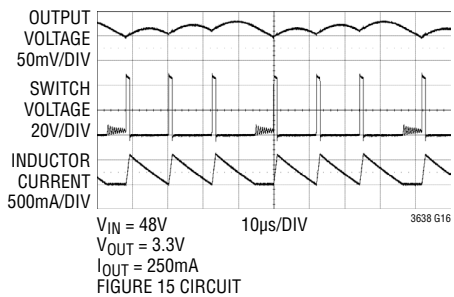
3638 G14

Load Step Transient Response



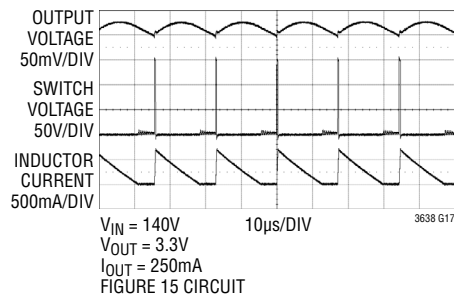
3638 G15

Operating Waveforms, VIN = 48V



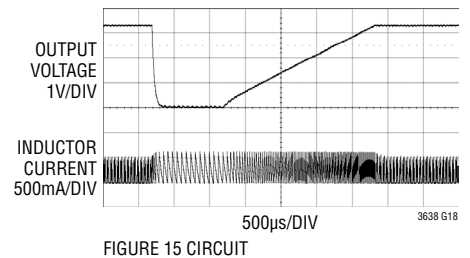
3638 G16

Operating Waveforms, VIN = 140V



3638 G17

Short-Circuit and Recovery



3638 G18

PIN FUNCTIONS

SW (Pin 1): Switch Node Connection to Inductor and Catch Diode Cathode. This pin connects to the drain of the internal power MOSFET switch.

V_{IN} (Pin 3): Main Supply Pin. A ceramic bypass capacitor should be tied between this pin and GND.

FBO (Pin 5): Feedback Comparator Output. Connect to the V_{FB} pins of additional LTC3638s to combine the output current. The typical pull-up current is 20 μ A. The typical pull-down impedance is 70 Ω . See Applications Information.

V_{PRG2}, V_{PRG1} (Pins 6, 7): Output Voltage Selection. Short both pins to ground for a resistive divider programmable output voltage. Short V_{PRG1} to SS and short V_{PRG2} to ground for a 5V output voltage. Short V_{PRG1} to ground and short V_{PRG2} to SS for a 3.3V output voltage. Short both pins to SS for a 1.8V output voltage.

GND (Pin 8, 16, Exposed Pad Pin 17): Ground. The exposed pad must be soldered to the PCB ground plane for rated thermal performance.

V_{FB} (Pin 9): Output Voltage Feedback. When configured for an adjustable output voltage, connect to an external resistive divider to divide the output voltage down for comparison to the 0.8V reference. For the fixed output configuration, directly connect this pin to the output.

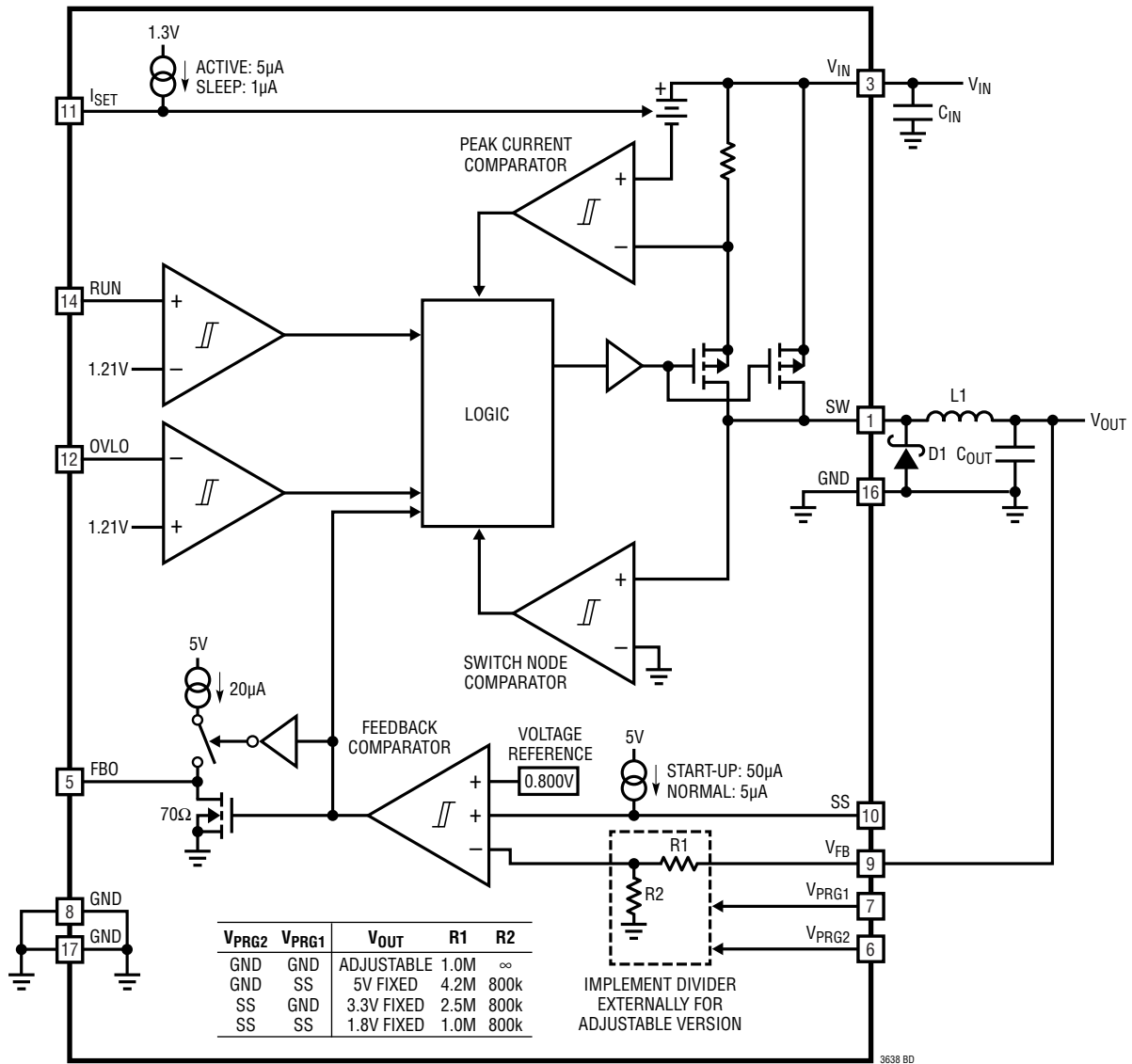
SS (Pin 10): Soft-Start Control Input. A capacitor to ground at this pin sets the output voltage ramp time. A 50 μ A current initially charges the soft-start capacitor until switching begins, at which time the current is reduced to its nominal value of 5 μ A. The output voltage ramp time from zero to its regulated value is 1ms for every 6.25nF of capacitance from SS to GND. If left floating, the ramp time defaults to an internal 1ms soft-start.

I_{SET} (Pin 11): Peak Current Set Input. A resistor from this pin to ground sets the peak current comparator threshold. Leave floating for the maximum peak current (575mA typical) or short to ground for minimum peak current (60mA typical). The maximum output current is one-half the peak current. The 5 μ A current that is sourced out of this pin when switching is reduced to 1 μ A in sleep. Optionally, a capacitor can be placed from this pin to GND to trade off efficiency for light load output voltage ripple. See Applications Information.

OVLO (Pin 12): Overvoltage Lockout Input. Connect to the input supply through a resistor divider to set the overvoltage lockout level. A voltage on this pin above 1.21V disables the internal MOSFET switch. Normal operation resumes when the voltage on this pin decreases below 1.10V. Exceeding the OVLO lockout threshold triggers a soft-start reset, resulting in a graceful recovery from an input supply transient. Tie this pin to ground if the overvoltage is not used.

RUN (Pin 14): Run Control Input. A voltage on this pin above 1.21V enables normal operation. Forcing this pin below 0.7V shuts down the LTC3638, reducing quiescent current to approximately 1.4 μ A. Optionally, connect to the input supply through a resistor divider to set the under-voltage lockout.

BLOCK DIAGRAM



3638 BD

OPERATION (Refer to Block Diagram)

The LTC3638 is a step-down DC/DC regulator with internal power switch that uses Burst Mode control, combining low quiescent current with high switching frequency, which results in high efficiency across a wide range of load currents. Burst Mode operation functions by using short “burst” cycles to switch the inductor current through the internal power MOSFET, followed by a sleep cycle where the power switch is off and the load current is supplied by the output capacitor. During the sleep cycle, the LTC3638 draws only 12 μ A of supply current. At light loads, the burst cycles are a small percentage of the total cycle time which minimizes the average supply current, greatly improving efficiency. Figure 1 shows an example of Burst Mode operation. The switching frequency is dependent on the inductor value, peak current, input voltage and output voltage.

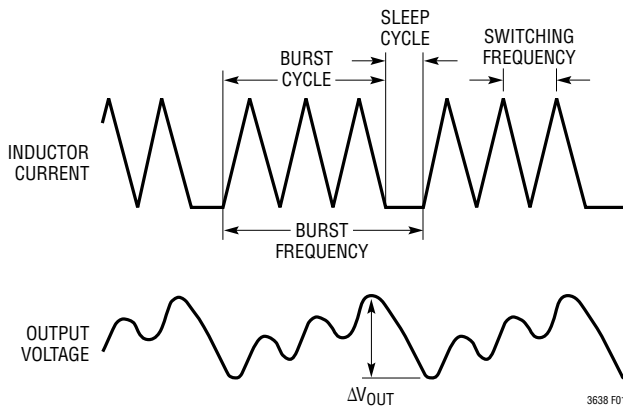


Figure 1. Burst Mode Operation

Main Control Loop

The LTC3638 uses the V_{PRG1} and V_{PRG2} control pins to connect internal feedback resistors to the V_{FB} pin. This enables fixed outputs of 1.8V, 3.3V or 5V without increasing component count, input supply current or exposure to noise on the sensitive input to the feedback comparator.

External feedback resistors (adjustable mode) can be used by connecting both V_{PRG1} and V_{PRG2} to ground.

In adjustable mode the feedback comparator monitors the voltage on the V_{FB} pin and compares it to an internal 800mV reference. If this voltage is greater than the reference, the comparator activates a sleep mode in which the power switch and current comparators are disabled, reducing the V_{IN} pin supply current to only 12 μ A. As the load current discharges the output capacitor, the voltage on the V_{FB} pin decreases. When this voltage falls 5mV below the 800mV reference, the feedback comparator trips and enables burst cycles.

At the beginning of the burst cycle, the internal high side power switch (P-channel MOSFET) is turned on and the inductor current begins to ramp up. The inductor current increases until either the current exceeds the peak current comparator threshold or the voltage on the V_{FB} pin exceeds 800mV, at which time the switch is turned off and the inductor current is carried by the external catch diode. The inductor current ramps down until the switch node rises, indicating that the current in the catch diode is zero. If the voltage on the V_{FB} pin is still less than the 800mV reference, the power switch is turned on again and another cycle commences. The average current during a burst cycle will normally be greater than the average load current. For this architecture, the maximum average output current is equal to half of the peak current.

The hysteretic nature of this control architecture results in a switching frequency that is a function of the input voltage, output voltage, and inductor value. This behavior provides inherent short-circuit protection. If the output is shorted to ground, the inductor current will decay very slowly during a single switching cycle. Since the high side switch turns on only when the inductor current is near zero, the LTC3638 inherently switches at a lower frequency during start-up or short-circuit conditions.

OPERATION (Refer to Block Diagram)

Start-Up and Shutdown

If the voltage on the RUN pin is less than 0.7V, the LTC3638 enters a shutdown mode in which all internal circuitry is disabled, reducing the DC supply current to 1.4 μ A. When the voltage on the RUN pin exceeds 1.21V, normal operation of the main control loop is enabled. The RUN pin comparator has 110mV of internal hysteresis, and therefore must fall below 1.1V to disable the main control loop.

An internal 1ms soft-start function limits the ramp rate of the output voltage on start-up to prevent excessive input supply droop. If a longer ramp time and consequently less supply droop is desired, a capacitor can be placed from the SS pin to ground. The 5 μ A current that is sourced out of this pin will create a smooth voltage ramp on the capacitor. If this ramp rate is slower than the internal 1ms soft-start, then the output voltage will be limited by the ramp rate on the SS pin. The internal and external soft-start functions are reset on start-up, after an undervoltage or overvoltage event on the input supply, and after an overtemperature shutdown.

Peak Inductor Current Programming

The peak current comparator nominally limits the peak inductor current to 575mA. This peak inductor current can be adjusted by placing a resistor from the I_{SET} pin to ground. The 5 μ A current sourced out of this pin through the resistor generates a voltage that adjusts the peak current comparator threshold.

During sleep mode, the current sourced out of the I_{SET} pin is reduced to 1 μ A. The I_{SET} current is increased back to 5 μ A on the first switching cycle after exiting sleep mode. The I_{SET} current reduction in sleep mode, along with adding a filtering network, R_{ISET} and C_{ISET}, from the I_{SET} pin to ground, provides a method of reducing light load output voltage ripple at the expense of lower efficiency and slightly degraded load step transient response.

For applications requiring higher output current, the LTC3638 provides a feedback comparator output pin (FBO) for combining the output current of multiple LTC3638s.

By connecting the FBO pin of a master LTC3638 to the V_{FB} pin of one or more slave LTC3638s, the output currents can be combined to source 250mA times the number of LTC3638s.

Dropout Operation

When the input supply decreases toward the output supply, the duty cycle increases to maintain regulation. The P-channel MOSFET switch in the LTC3638 allows the duty cycle to increase all the way to 100%. At 100% duty cycle, the P-channel MOSFET stays on continuously, providing output current equal to the peak current, which is twice the maximum load current when not in dropout.

Input Voltage and Overtemperature Protection

When using the LTC3638, care must be taken not to exceed any of the ratings specified in the Absolute Maximum Ratings section. As an added safeguard, however, the LTC3638 incorporates an overtemperature shutdown feature. If the junction temperature reaches approximately 180°C, the LTC3638 will enter thermal shutdown mode. The power switch will be turned off and the SW node will become high impedance. After the part has cooled below 160°C, it will restart. The overtemperature level is not production tested.

The LTC3638 additionally implements protection features which inhibit switching when the input voltage is not within a programmable operating range. By use of a resistive divider from the input supply to ground, the RUN and OVLO pins serve as a precise input supply voltage monitor. Switching is disabled when either the RUN pin falls below 1.1V or the OVLO pin rises above 1.21V, which can be configured to limit switching to a specific range of input supply voltage. Furthermore, if the input voltage falls below 3.5V typical (3.8V maximum), an internal undervoltage detector disables switching.

When switching is disabled, the LTC3638 can safely sustain input voltages up to the absolute maximum rating of 140V. Input supply undervoltage or overvoltage events trigger a soft-start reset, which results in a graceful recovery from an input supply transient.

APPLICATIONS INFORMATION

The basic LTC3638 application circuit is shown on the front page of this data sheet. External component selection is determined by the maximum load current requirement and begins with the selection of the peak current programming resistor, R_{ISET} . The inductor value L can then be determined, followed by capacitors C_{IN} and C_{OUT} .

Peak Current Resistor Selection

The peak current comparator has a maximum current limit of at least 500mA, which guarantees a maximum average current of 250mA. For applications that demand less current, the peak current threshold can be reduced to as little as 40mA. This lower peak current allows the efficiency and component selection to be optimized for lower current applications.

The peak current threshold is linearly proportional to the voltage on the I_{SET} pin, with 100mV and 1V corresponding to 40mA and 500mA peak current respectively. This pin may be driven by an external voltage source to modulate the peak current, which may be beneficial in some applications. Usually, the peak current is programmed with an appropriately chosen resistor (R_{ISET}) between the I_{SET} pin and ground. The voltage generated on the I_{SET} pin by R_{ISET} and the internal 5 μ A current source sets the peak current. The value of resistor for a particular peak current can be computed by using Figure 2 or the following equation:

$$R_{ISET} = I_{PEAK} \cdot 400k$$

where $40mA < I_{PEAK} < 500mA$.

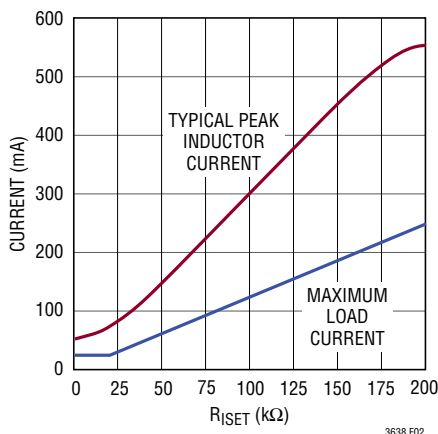


Figure 2. R_{ISET} Selection

The internal 5 μ A current source is reduced to 1 μ A in sleep mode to maximize efficiency and to facilitate a tradeoff between efficiency and light load output voltage ripple, as described in the Optimizing Output Voltage Ripple section.

The peak current is internally limited to be within the range of 40mA to 500mA. Shorting the I_{SET} pin to ground programs the current limit to 40mA, and leaving it floating sets the current limit to the maximum value of 500mA. When selecting this resistor value, be aware that the maximum average output current for this architecture is limited to half of the peak current. Therefore, be sure to select a value that sets the peak current with enough margin to provide adequate load current under all conditions. Selecting the peak current to be 2.2 times greater than the maximum load current is a good starting point for most applications.

Inductor Selection

The inductor, input voltage, output voltage, and peak current determine the switching frequency during a burst cycle of the LTC3638. For a given input voltage, output voltage, and peak current, the inductor value sets the switching frequency during a burst cycle when the output is in regulation. Generally, switching at a frequency between 50kHz and 200kHz yields high efficiency, and 100kHz is a good first choice for many applications. The inductor value can be determined by the following equation:

$$L = \left(\frac{V_{OUT}}{f \cdot I_{PEAK}} \right) \cdot \left(1 - \frac{V_{OUT}}{V_{IN}} \right)$$

The variation in switching frequency during a burst cycle with input voltage and inductance is shown in Figure 3. For lower values of I_{PEAK} , multiply the frequency in Figure 3 by $575mA/I_{PEAK}$.

An additional constraint on the inductor value is the LTC3638's 150ns minimum on-time of the switch. Therefore, in order to keep the current in the inductor well-controlled, the inductor value must be chosen so that

APPLICATIONS INFORMATION

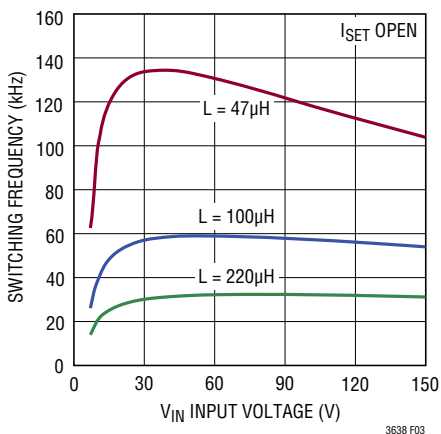


Figure 3. Switching Frequency for $V_{OUT} = 3.3V$

it is larger than a minimum value which can be computed as follows:

$$L > \frac{V_{IN(MAX)} \cdot t_{ON(MIN)}}{I_{PEAK}} \cdot 1.2$$

where $V_{IN(MAX)}$ is the maximum input supply voltage when switching is enabled, $t_{ON(MIN)}$ is 150ns, I_{PEAK} is the peak current, and the factor of 1.2 accounts for typical inductor tolerance and variation over temperature.

For applications that have large input supply transients, the OVLO pin can be used to disable switching above the maximum operating voltage $V_{IN(MAX)}$ so that the minimum inductor value is not artificially limited by a transient condition. Inductor values that violate the above equation will cause the peak current to overshoot and permanent damage to the part may occur.

Although the previous equation provides the minimum inductor value, higher efficiency is generally achieved with a larger inductor value, which produces a lower switching frequency. For a given inductor type, however, as inductance is increased DC resistance (DCR) also increases. Higher DCR translates into higher copper losses and lower current rating, both of which place an upper limit on the inductance. The recommended range of inductor values for small surface mount inductors as a function of peak current is shown in Figure 4. The values in this range are a good compromise between the trade-offs discussed above.

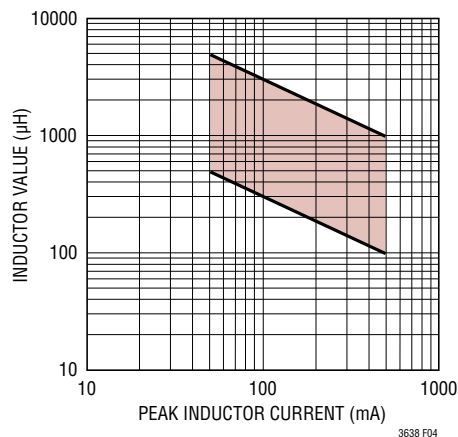


Figure 4. Recommended Inductor Values for Maximum Efficiency

For applications where board area is not a limiting factor, inductors with larger cores can be used, which extends the recommended range of Figure 4 to larger values.

Inductor Core Selection

Once the value for L is known, the type of inductor must be selected. High efficiency regulators generally cannot afford the core loss found in low cost powdered iron cores, forcing the use of the more expensive ferrite cores. Actual core loss is independent of core size for a fixed inductor value but is very dependent of the inductance selected. As the inductance increases, core losses decrease. Unfortunately, increased inductance requires more turns of wire and therefore copper losses will increase.

Ferrite designs have very low core losses and are preferred at high switching frequencies, so design goals can concentrate on copper loss and preventing saturation. Ferrite core material saturates “hard,” which means that inductance collapses abruptly when the peak design current is exceeded. This results in an abrupt increase in inductor ripple current and consequently output voltage ripple. Do not allow the core to saturate!

Different core materials and shapes will change the size/current and price/current relationship of an inductor. Toroid or shielded pot cores in ferrite or permalloy materials are small and do not radiate energy but generally cost more than powdered iron core inductors with similar characteristics. The choice of which style inductor to use mainly

APPLICATIONS INFORMATION

depends on the price versus size requirements and any radiated field/EMI requirements. New designs for surface mount inductors are available from Coiltronics, Coilcraft, TDK, Toko, and Sumida.

Catch Diode Selection

The catch diode (D1 from Block Diagram) conducts current only during the switch off time. Average forward current in normal operation can be calculated from:

$$I_{D(AVG)} = I_{OUT} \frac{V_{IN} - V_{OUT}}{V_{IN}}$$

where I_{OUT} is the output load current. The maximum average diode current occurs with a shorted output at the high line. For this worst-case condition, the diode current will approach half of the programmed peak current. The diode reverse voltage rating should be greater than the maximum operating input voltage. When the OVLO pin is used to limit the maximum operating input voltage, the diode reverse voltage should be greater than the OVLO pin setting, but may be lower the maximum input voltage during overvoltage lockout.

For high efficiency at full load, it is important to select a catch diode with a low reverse recovery time and low forward voltage drop. As a result, Schottky diodes are often used as catch diodes. However, Schottky diodes generally exhibit much higher leakage than silicon diodes. In sleep, the catch diode leakage current will appear as load current, and may significantly reduce light load efficiency. Diodes with low leakage often have larger forward voltage drops at a given current, so a trade-off can exist between light load and full load efficiency.

The selection of Schottky diodes with high reverse voltage ratings is limited relative to that of silicon diodes. Therefore, for low reverse leakage and part availability, some applications may prefer a silicon diode. If a silicon diode is necessary, be sure to select a diode with a specified low reverse recovery time to maximize efficiency.

C_{IN} and C_{OUT} Selection

The input capacitor, C_{IN} , is needed to filter the trapezoidal current at the source of the high side MOSFET. C_{IN} should be sized to provide the energy required to magnetize the inductor without causing a large decrease in input voltage (ΔV_{IN}). The relationship between C_{IN} and ΔV_{IN} is given by:

$$C_{IN} > \frac{L \cdot I_{PEAK}^2}{2 \cdot V_{IN} \cdot \Delta V_{IN}}$$

It is recommended to use a larger value for C_{IN} than calculated by the previous equation since capacitance decreases with applied voltage. In general, a 1 μ F X7R ceramic capacitor is a good choice for C_{IN} in most LTC3638 applications.

To prevent large ripple voltage, a low ESR input capacitor sized for the maximum RMS current should be used. RMS current is given by:

$$I_{RMS} = I_{OUT(MAX)} \cdot \frac{V_{OUT}}{V_{IN}} \cdot \sqrt{\frac{V_{IN}}{V_{OUT}} - 1}$$

This formula has a maximum at $V_{IN} = 2V_{OUT}$, where $I_{RMS} = I_{OUT}/2$. This simple worst-case condition is commonly used for design because even significant deviations do not offer much relief. Note that ripple current ratings from capacitor manufacturers are often based only on 2000 hours of life which makes it advisable to further derate the capacitor, or choose a capacitor rated at a higher temperature than required. Several capacitors may also be paralleled to meet size or height requirements in the design.

The output capacitor, C_{OUT} , filters the inductor's ripple current and stores energy to satisfy the load current when the LTC3638 is in sleep. The output ripple has a lower limit of $V_{OUT}/160$ due to the 5mV typical hysteresis of the feedback comparator. The time delay of the comparator adds an additional ripple voltage that is a function of the load current. During this delay time, the LTC3638 continues to switch and supply current to the output. The output ripple

APPLICATIONS INFORMATION

can be approximated by:

$$\Delta V_{OUT} \approx \left(\frac{I_{PEAK}}{2} - I_{LOAD} \right) \cdot \frac{4 \cdot 10^{-6}}{C_{OUT}} + \frac{V_{OUT}}{160}$$

The output ripple is a maximum at no load and approaches lower limit of $V_{OUT}/160$ at full load. Choose the output capacitor C_{OUT} to limit the output voltage ripple ΔV_{OUT} using the following equation:

$$C_{OUT} \geq \frac{I_{PEAK} \cdot 2 \cdot 10^{-6}}{\Delta V_{OUT} - \frac{V_{OUT}}{160}}$$

The value of the output capacitor must also be large enough to accept the energy stored in the inductor without a large change in output voltage during a single switching cycle.

Setting this voltage step equal to 1% of the output voltage, the output capacitor must be:

$$C_{OUT} > \frac{L}{2} \cdot \left(\frac{I_{PEAK}}{V_{OUT}} \right)^2 \cdot \frac{100\%}{1\%}$$

Typically, a capacitor that satisfies the voltage ripple requirement is adequate to filter the inductor ripple. To avoid overheating, the output capacitor must also be sized to handle the ripple current generated by the inductor. The worst-case ripple current in the output capacitor is given by $I_{RMS} = I_{PEAK}/2$. Multiple capacitors placed in parallel may be needed to meet the ESR and RMS current handling requirements.

Dry tantalum, special polymer, aluminum electrolytic, and ceramic capacitors are all available in surface mount packages. Special polymer capacitors offer very low ESR but have lower capacitance density than other types. Tantalum capacitors have the highest capacitance density but it is important only to use types that have been surge tested for use in switching power supplies. Aluminum electrolytic capacitors have significantly higher ESR but

can be used in cost-sensitive applications provided that consideration is given to ripple current ratings and long-term reliability. Ceramic capacitors have excellent low ESR characteristics but can have high voltage coefficient and audible piezoelectric effects. The high quality factor (Q) of ceramic capacitors in series with trace inductance can also lead to significant input voltage ringing.

Input Voltage Steps

If the input voltage falls below the regulated output voltage, the body diode of the internal MOSFET will conduct current from the output supply to the input supply. If the input voltage falls rapidly, the voltage across the inductor will be significant and may saturate the inductor. A large current will then flow through the MOSFET body diode, resulting in excessive power dissipation that may damage the part.

If rapid voltage steps are expected on the input supply, put a small silicon or Schottky diode in series with the V_{IN} pin to prevent reverse current and inductor saturation, shown below as D1 in Figure 5. The diode should be sized for a reverse voltage of greater than the regulated output voltage, and to withstand repetitive currents higher than the maximum peak current of the LTC3638.

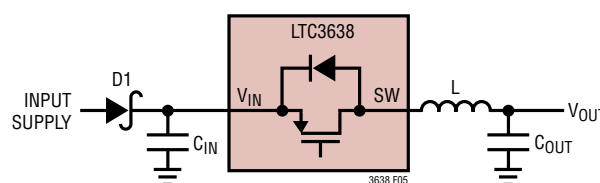


Figure 5. Preventing Current Flow to the Input

Ceramic Capacitors and Audible Noise

Higher value, lower cost ceramic capacitors are now becoming available in smaller case sizes. Their high ripple current, high voltage rating, and low ESR make them ideal for switching regulator applications. However, care must be taken when these capacitors are used at the input and output. When a ceramic capacitor is used at the input and

APPLICATIONS INFORMATION

the power is supplied by a wall adapter through long wires, a load step at the output can induce ringing at the input, V_{IN} . At best, this ringing can couple to the output and be mistaken as loop instability. At worst, a sudden inrush of current through the long wires can potentially cause a voltage spike at V_{IN} large enough to damage the part.

For applications with inductive source impedance, such as a long wire, a series RC network may be required in parallel with C_{IN} to dampen the ringing of the input supply. Figure 6 shows this circuit and the typical values required to dampen the ringing. Refer to Application Note 88 for additional information on suppressing input supply transients.

Ceramic capacitors are also piezoelectric. The LTC3638's burst frequency depends on the load current, and in some applications the LTC3638 can excite the ceramic capacitor at audio frequencies, generating audible noise. This noise is typically very quiet to a casual ear; however, if the noise is unacceptable, use a high performance tantalum or electrolytic capacitor at the output.

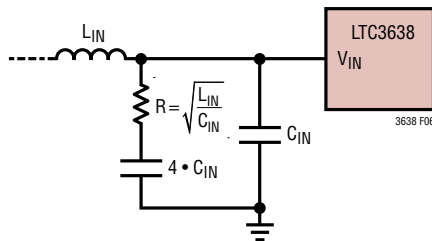


Figure 6. Series RC to Reduce V_{IN} Ringing

Output Voltage Programming

The LTC3638 has three fixed output voltage modes and an adjustable mode that can be selected with the V_{PRG1} and V_{PRG2} pins. The fixed output modes use an internal feedback divider which enables higher efficiency, higher noise immunity, and lower output voltage ripple for 5V, 3.3V, and 1.8V applications. To select the fixed 5V output

voltage, connect V_{PRG1} to SS and V_{PRG2} to GND. For 3.3V, connect V_{PRG1} to GND and V_{PRG2} to SS. For 1.8V, connect both V_{PRG1} and V_{PRG2} to SS. For any of the fixed output voltage options, directly connect the V_{FB} pin to V_{OUT} .

For the adjustable output mode ($V_{PRG1} = V_{PRG2} = GND$), the output voltage is set by an external resistive divider according to the following equation:

$$V_{OUT} = 0.8V \cdot \left(1 + \frac{R1}{R2}\right)$$

The resistive divider allows the V_{FB} pin to sense a fraction of the output voltage as shown in Figure 7. The output voltage can range from 0.8V to V_{IN} . Be careful to keep the divider resistors very close to the V_{FB} pin to minimize noise pick-up on the sensitive V_{FB} trace.

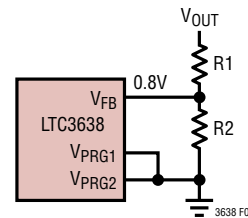


Figure 7. Setting the Output Voltage with External Resistors

To minimize the no-load supply current, resistor values in the megohm range may be used; however, large resistor values should be used with caution. The feedback divider is the only load current when in shutdown. If PCB leakage current to the output node or switch node exceeds the load current, the output voltage will be pulled up. In normal operation, this is generally a minor concern since the load current is much greater than the leakage.

To avoid excessively large values of $R1$ in high output voltage applications ($V_{OUT} \geq 10V$), a combination of external and internal resistors can be used to set the output voltage. This has an additional benefit of increasing the noise

APPLICATIONS INFORMATION

immunity on the V_{FB} pin. Figure 8 shows the LTC3638 with the V_{FB} pin configured for a 5V fixed output with an external divider to generate a higher output voltage. The internal 5M resistance appears in parallel with R2, and the value of R2 must be adjusted accordingly. R2 should be chosen to be less than 200k to keep the output voltage variation less than 1% due to the tolerance of the LTC3638's internal resistor.

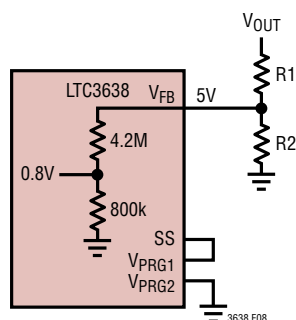


Figure 8. Setting the Output Voltage with External and Internal Resistors

RUN Pin and Overvoltage/Undervoltage Lockout

The LTC3638 has a low power shutdown mode controlled by the RUN pin. Pulling the RUN pin below 0.7V puts the LTC3638 into a low quiescent current shutdown mode ($I_Q \sim 1.4\mu A$). When the RUN pin is greater than 1.21V, switching is enabled. Figure 9 shows examples of configurations for driving the RUN pin from logic.

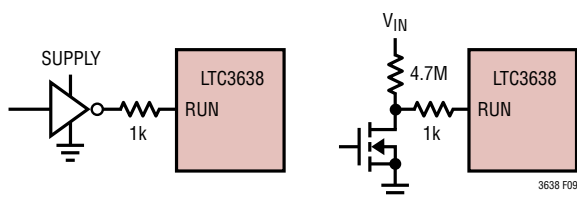


Figure 9. RUN Pin Interface to Logic

The RUN and OVLO pins can alternatively be configured as precise undervoltage (UVLO) and overvoltage (OVLO) lockouts on the V_{IN} supply with a resistive divider from V_{IN} to ground. A simple resistive divider can be used as shown in Figure 10 to meet specific V_{IN} voltage requirements.

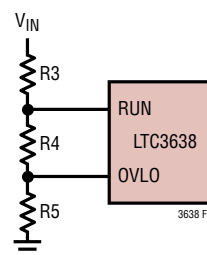


Figure 10. Adjustable UV and OV Lockout

The current that flows through the R3-R4-R5 divider will directly add to the shutdown, sleep, and active current of the LTC3638, and care should be taken to minimize the impact of this current on the overall efficiency of the application circuit. Resistor values in the megohm range may be required to keep the impact on quiescent shutdown and sleep currents low. To pick resistor values, the sum total of $R3 + R4 + R5$ (R_{TOTAL}) should be chosen first based on the allowable DC current that can be drawn from V_{IN} . The individual values of R3, R4 and R5 can then be calculated from the following equations:

$$R5 = R_{TOTAL} \cdot \frac{1.21V}{\text{Rising } V_{IN} \text{ OVLO Threshold}}$$

$$R4 = R_{TOTAL} \cdot \frac{1.21V}{\text{Rising } V_{IN} \text{ UVLO Threshold}} - R5$$

$$R3 = R_{TOTAL} - R5 - R4$$

For applications that do not need a precise external OVLO, the OVLO pin should be tied directly to ground. The RUN pin in this type of application can be used as an external UVLO using the previous equations with $R5 = 0\Omega$.

APPLICATIONS INFORMATION

Similarly, for applications that do not require a precise UVLO, the RUN pin can be tied to V_{IN} . In this configuration, the UVLO threshold is limited to the internal V_{IN} UVLO thresholds as shown in the Electrical Characteristics table. The resistor values for the OVLO can be computed using the previous equations with $R3 = 0\Omega$.

Be aware that the OVLO pin cannot be allowed to exceed its absolute maximum rating of 6V. To keep the voltage on the OVLO pin from exceeding 6V, the following relation should be satisfied:

$$V_{IN(MAX)} \cdot \left(\frac{R5}{R3+R4+R5} \right) < 6V$$

If this equation cannot be satisfied in the application, connect a 4.7V Zener diode between the OVLO pin and ground to clamp the OVLO pin voltage.

Soft-Start

Soft-start is implemented by ramping the effective reference voltage from 0V to 0.8V. To increase the duration of the soft-start, place a capacitor from the SS pin to ground. An internal 5 μ A pull-up current will charge this capacitor. The value of the soft-start capacitor can be calculated by the following equation:

$$C_{SS} = \text{Soft-Start Time} \cdot \frac{5\mu A}{0.8V}$$

The minimum soft-start time is limited to the internal soft-start timer of 1ms. When the LTC3638 detects a fault condition (input supply undervoltage/overvoltage or overtemperature) or when the RUN pin falls below 1.1V, the SS pin is quickly pulled to ground and the internal soft-start timer is reset. This ensures an orderly restart when using an external soft-start capacitor.

Note that the soft-start capacitor may not be the limiting factor in the output voltage ramp. The maximum output current, which is equal to half of the peak current, must charge the output capacitor from 0V to its regulated value. For small peak currents or large output capacitors, this

ramp time can be significant. Therefore, the output voltage ramp time from 0V to the regulated V_{OUT} value is limited to a minimum of

$$\text{Ramp Time} \geq \frac{2C_{OUT}}{I_{PEAK}} V_{OUT}$$

Optimizing Output Voltage Ripple

After the peak current resistor and inductor have been selected to meet the load current and frequency requirements, an optional capacitor, C_{ISET} can be added in parallel with R_{ISET} to reduce the output voltage ripple dependency on load current.

At light loads the output voltage ripple will be a maximum. The peak inductor current is controlled by the voltage on the I_{SET} pin. The current out of the I_{SET} pin is 5 μ A while the LTC3638 is active and is reduced to 1 μ A during sleep mode. The I_{SET} current will return to 5 μ A on the first switching cycle after sleep mode. Placing a parallel RC network to ground on the I_{SET} pin filters the I_{SET} voltage as the LTC3638 enters and exits sleep mode, which in turn will affect the output voltage ripple, efficiency, and load step transient performance.

Higher Current Applications

For applications that require more than 250mA, the LTC3638 provides a feedback comparator output pin (FBO) for driving additional LTC3638s. When the FBO pin of a master LTC3638 is connected to the V_{FB} pin of one or more slave LTC3638s, the master controls the burst cycle of the slaves.

Figure 11 shows an example of a 5V, 500mA regulator using two LTC3638s. The master is configured for a 5V fixed output with external soft-start and V_{IN} UVLO/OVLO levels set by the RUN and OVLO pins. Since the slave is directly controlled by the master, its SS pin should be floating, RUN should be tied to V_{IN} , and OVLO should be tied to ground. Furthermore, the slave should be configured for a 1.8V fixed output ($V_{PRG1} = V_{PRG2} = SS$) to set the

APPLICATIONS INFORMATION

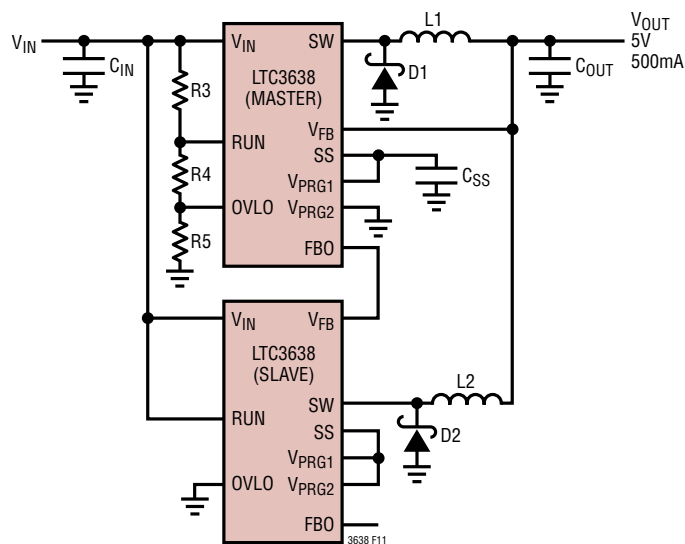


Figure 11. 5V, 500mA Regulator

V_{FB} pin threshold at 1.8V. The inductors L1 and L2 do not necessarily have to be the same, but should both meet the criteria described in the Inductor Selection section.

Thermal Considerations

In most applications, the LTC3638 does not dissipate much heat due to its high efficiency. But, in applications where the LTC3638 is running at high ambient temperature with low supply voltage and high duty cycles, such as dropout, the heat dissipated may exceed the maximum junction temperature of the part.

To prevent the LTC3638 from exceeding the maximum junction temperature, the user will need to do some thermal analysis. The goal of the thermal analysis is to determine whether the power dissipated exceeds the maximum junction temperature of the part. The temperature rise from ambient to junction is given by:

$$T_R = P_D \cdot \theta_{JA}$$

Where P_D is the power dissipated by the regulator and θ_{JA} is the thermal resistance from the junction of the die to the ambient temperature.

The junction temperature is given by:

$$T_J = T_A + T_R$$

Generally, the worst-case power dissipation is in dropout at low input voltage. In dropout, the LTC3638 can provide a DC current as high as the full 575mA peak current to the output. At low input voltage, this current flows through a higher resistance MOSFET, which dissipates more power.

As an example, consider the LTC3638 in dropout at an input voltage of 5V, a load current of 575mA and an ambient temperature of 85°C. From the Typical Performance graphs of Switch On-Resistance, the $R_{DS(ON)}$ of the top switch at $V_{IN} = 5V$ and 100°C is approximately 3.2Ω. Therefore, the power dissipated by the part is:

$$P_D = (I_{LOAD})^2 \cdot R_{DS(ON)} = (575mA)^2 \cdot 3.2\Omega = 1.06W$$

For the MSOP package the θ_{JA} is 40°C/W. Thus, the junction temperature of the regulator is:

$$T_J = 85^\circ C + 1.06W \cdot \frac{40^\circ C}{W} = 127^\circ C$$

which is below the maximum junction temperature of 150°C.

Note that while the LTC3638 is in dropout, it can provide output current that is equal to the peak current of the part. This can increase the chip power dissipation dramatically and may cause the internal overtemperature protection circuitry to trigger at 180°C and shut down the LTC3638.

Pin Clearance/Creepage Considerations

The LTC3638 MSE package has been uniquely designed to meet high voltage clearance and creepage requirements. Pins 2, 4, 13, and 15 are omitted to increase the spacing between adjacent high voltage solder pads (V_{IN} , SW, and RUN) to a minimum of 0.657mm which is sufficient for most applications. For more information, refer to the printed circuit board design standards described in IPC-2221 (www.ipc.org).

APPLICATIONS INFORMATION

Design Example

As a design example, consider using the LTC3638 in an application with the following specifications: $V_{IN} = 36V$ to $72V$ ($48V$ nominal), $V_{OUT} = 12V$, $I_{OUT} = 250mA$, $f = 200kHz$, and that switching is enabled when V_{IN} is between $30V$ and $90V$.

First, calculate the inductor value based on the switching frequency:

$$L = \left(\frac{12V}{200kHz \cdot 0.575A} \right) \cdot \left(1 - \frac{12V}{48V} \right) \cong 78\mu H$$

Choose a $100\mu H$ inductor as a standard value. Next, verify that this meets the L_{MIN} requirement at the maximum input voltage:

$$L_{MIN} = \frac{90V \cdot 150ns}{0.575A} \cdot 1.2 = 28\mu H$$

Therefore, the minimum inductor requirement is satisfied and the $100\mu H$ inductor value may be used.

Next, C_{IN} and C_{OUT} are selected. For this design, C_{IN} should be sized for a current rating of at least:

$$I_{RMS} = 250mA \cdot \frac{12V}{36V} \cdot \sqrt{\frac{36V}{12V} - 1} \cong 118mA_{RMS}$$

The value of C_{IN} is selected to keep the input from drooping less than $360mV$ (1%) at low line:

$$C_{IN} > \frac{100\mu H \cdot 0.575A^2}{2 \cdot 36V \cdot 360mV} \cong 1.3\mu F$$

Since the capacitance of capacitors decreases with DC bias, a $2.2\mu F$ capacitor should be chosen.

The catch diode should have a reverse voltage rating of greater than the overvoltage lockout setting of $90V$. It should

also be rated for an average forward current of at least:

$$I_{D(AVG)} = 250mA \frac{90V - 12V}{90V} = 217mA$$

During a short-circuit, the average current in the diode could be as high as $I_{PEAK}/2$, or $288mA$. For margin, select a catch diode with a reverse breakdown of at least $100V$ and an average current of $350mA$ or higher.

C_{OUT} will be selected based on a value large enough to satisfy the output voltage ripple requirement. For a 1% output ripple ($120mV$), the value of the output capacitor can be calculated from:

$$C_{OUT} \geq \frac{0.575A \cdot 2 \cdot 10^{-6}}{120mV - \frac{12V}{160}} \cong 26\mu F$$

C_{OUT} also needs an ESR that will satisfy the output voltage ripple requirement. The required ESR can be calculated from:

$$ESR < \frac{120mV}{0.575A} \cong 208m\Omega$$

A $33\mu F$ ceramic capacitor has significantly less ESR than $208m\Omega$. The output voltage can now be programmed by choosing the values of $R1$ and $R2$. Since the output voltage is higher than $10V$, the LTC3638 should be set for a $5V$ fixed output with an external divider to divide the $12V$ output down to $5V$. $R2$ is chosen to be less than $200k$ to keep the output voltage variation to less than 1% due to the internal $5M$ resistor tolerance. Set $R2 = 196k$ and calculate $R1$ as:

$$R1 = \frac{12V - 5V}{5V} \cdot (196k\Omega \parallel 5M\Omega) = 264k\Omega$$

Choose a standard value of $267k$ for $R1$.

APPLICATIONS INFORMATION

The undervoltage and overvoltage lockout requirements on V_{IN} can be satisfied with a resistive divider from V_{IN} to the RUN and OVLO pins (refer to Figure 10). Choose $R3 + R4 + R5 = 2.5M$ to minimize the loading on V_{IN} . Calculate $R3$, $R4$ and $R5$ as follows:

$$R5 = \frac{1.21V \cdot 2.5M\Omega}{V_{IN_OV(RISING)}} = 33.6k$$

$$R4 = \frac{1.21V \cdot 2.5M\Omega}{V_{IN_UV(RISING)}} - R5 = 67.2k$$

$$R3 = 2.5M\Omega - R4 - R5 = 2.4M$$

Since specific resistor values in the megohm range are generally less available, it may be necessary to scale $R3$, $R4$, and $R5$ to a standard value of $R3$. For this example, choose $R3 = 2.2M$ and scale $R4$ and $R5$ by $2.2M/2.4M$. Then, $R4 = 61.6k$ and $R5 = 30.8k$. Choose standard values of $R3 = 2.2M$, $R4 = 62k$, and $R5 = 30.9k$. Note that the falling thresholds for both UVLO and OVLO will be 10% less than the rising thresholds, or 27V and 81V respectively.

The I_{SET} pin should be left open in this example to select maximum peak current (575mA). Figure 12 shows a complete schematic for this design example.

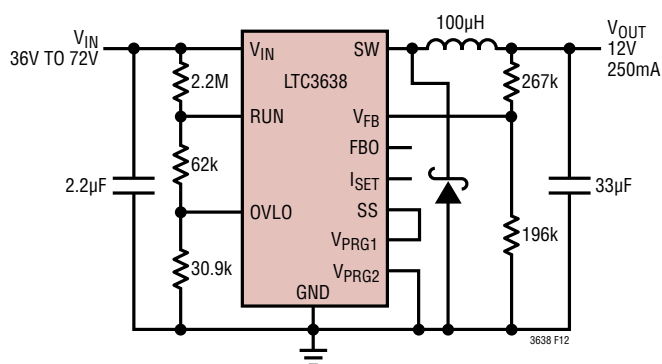
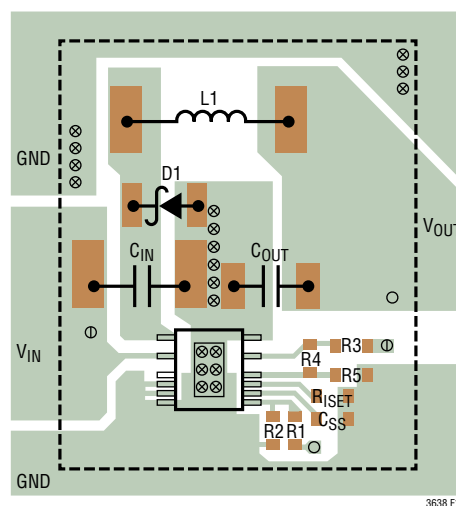
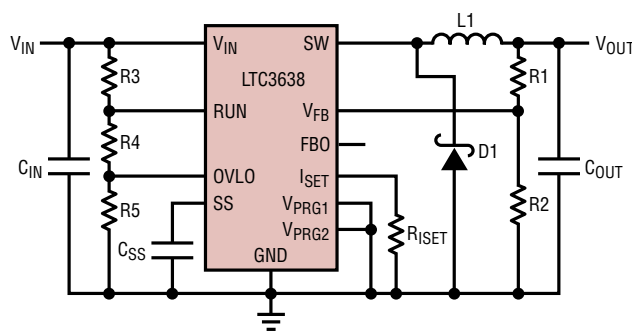


Figure 12. 36V to 72V Input to 12V Output, 250mA Regulator

PC Board Layout Checklist

When laying out the printed circuit board, the following checklist should be used to ensure proper operation of the LTC3638. Check the following in your layout:

1. Large switched currents flow in the power switch, catch diode, and input capacitor. The loop formed by these components should be as small as possible. A ground plane is recommended to minimize ground impedance.
2. Connect the (+) terminal of the input capacitor, C_{IN} , as close as possible to the V_{IN} pin. This capacitor provides the AC current into the internal power MOSFET.
3. Keep the switching node, SW, away from all sensitive small signal nodes. The rapid transitions on the switching node can couple to high impedance nodes, in particular V_{FB} , and create increased output ripple.



- ⊗ VIAS TO GROUND PLANE
- ⊙ VIAS TO INPUT SUPPLY (V_{IN})
- VIAS TO OUTPUT SUPPLY (V_{OUT})
- OUTLINE OF LOCAL GROUND PLANE

Figure 13. Example PCB Layout

TYPICAL APPLICATIONS

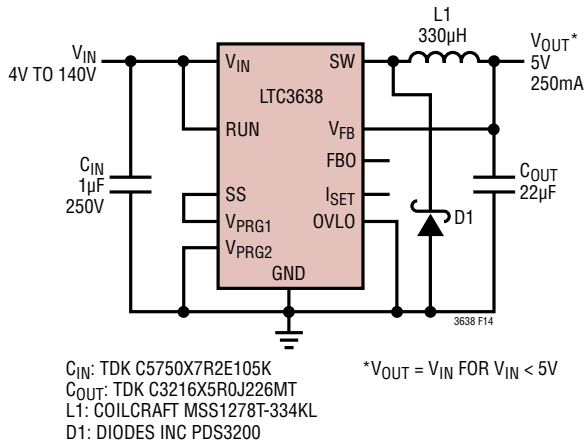


Figure 14. High Efficiency 250mA Regulator

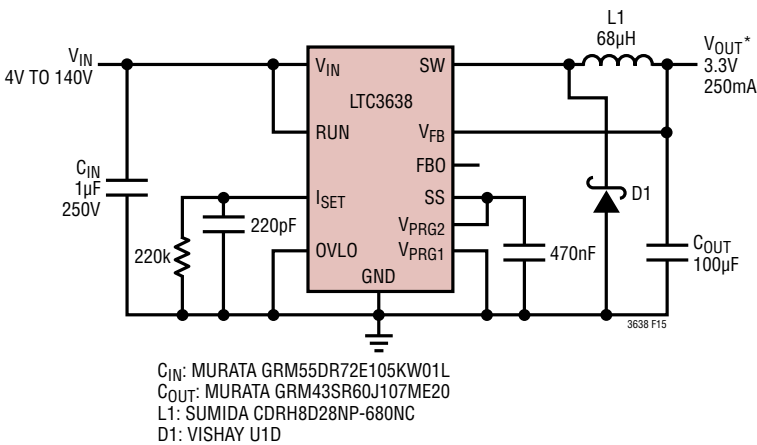
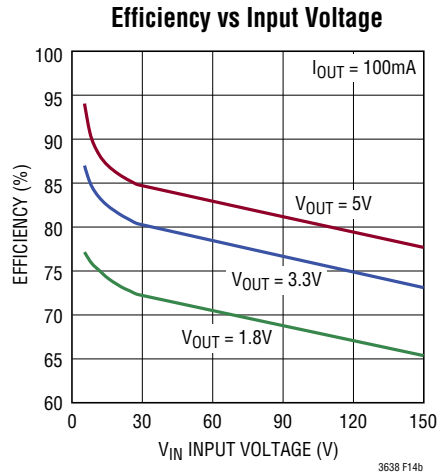
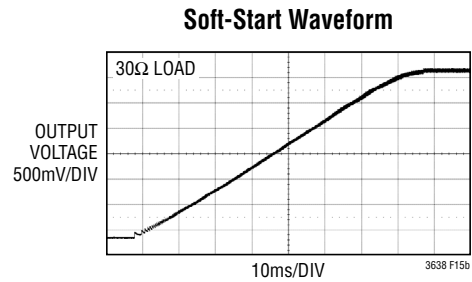
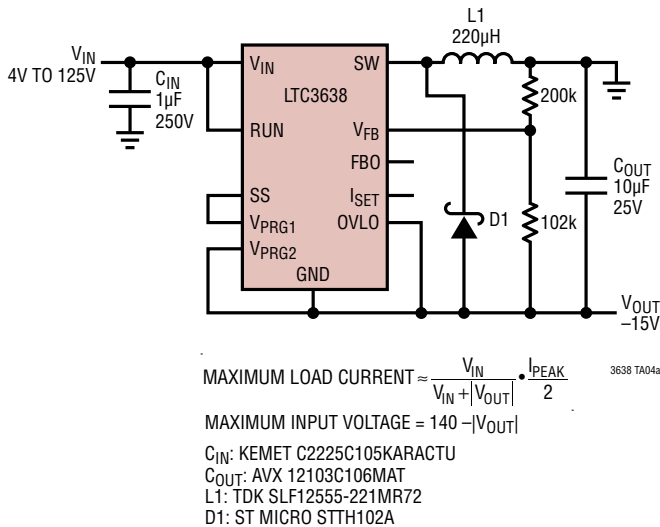


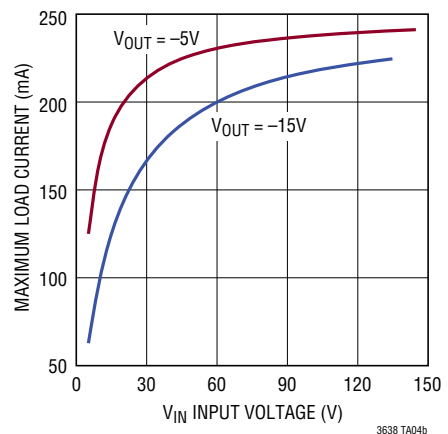
Figure 15. Low Output Voltage Ripple 250mA Regulator with 75ms Soft-Start



4V to 125V Input to -15V Output Positive-to-Negative Regulator

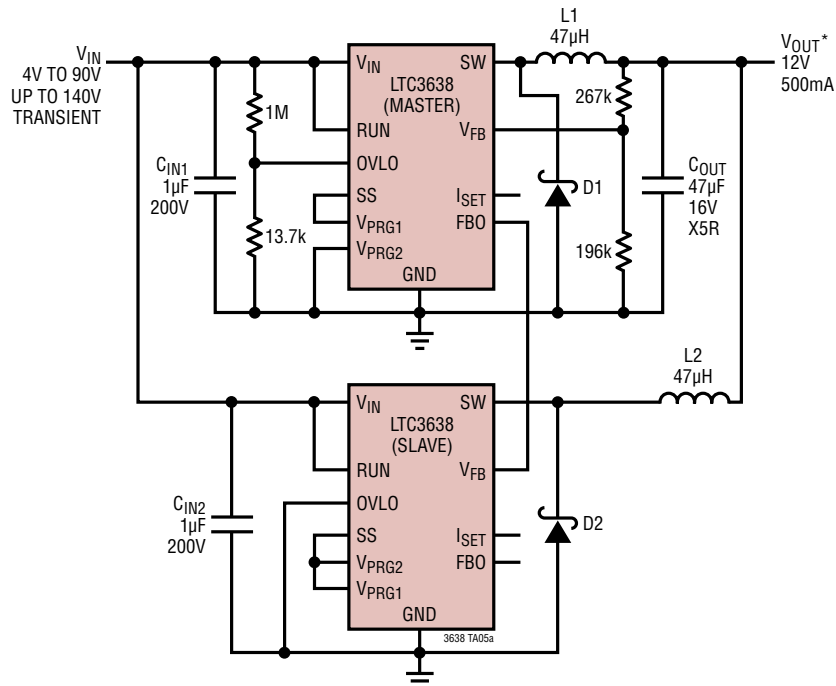


Maximum Load Current vs Input Voltage



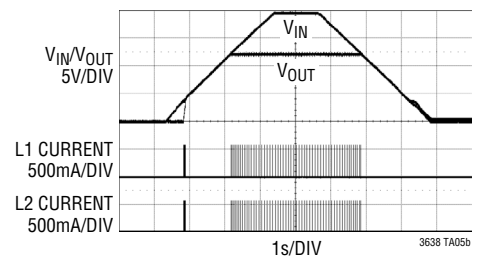
TYPICAL APPLICATIONS

4V to 90V Input to 12V/500mA Output Regulator with Overvoltage Lockout

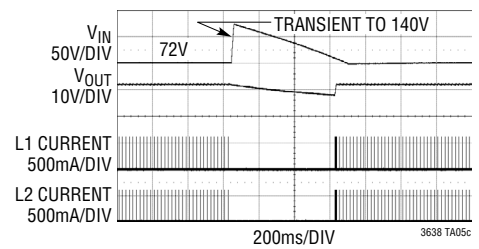


C_{IN1}/C_{IN2}: VISHAY VJ2225Y105KXGA
 C_{OUT}: TAIYO YUDEN EMK325 BJ 476MM-T
 L1/L2: WÜRTH 744 778 914 7
 D1/D2: CENTRAL SEMI CMSH1-100M-LTN
 *V_{OUT} = V_{IN} FOR V_{IN} < 12V

Low Dropout Startup and Shutdown

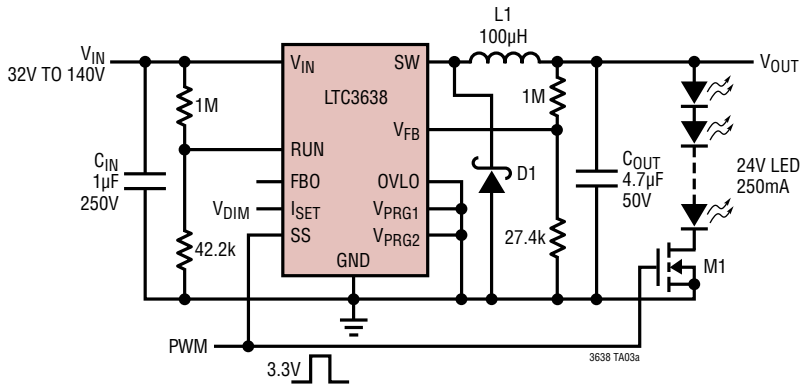


Overvoltage Lockout Operation



TYPICAL APPLICATIONS

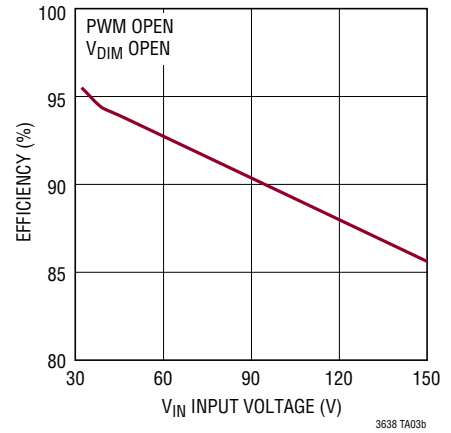
6W LED Driver



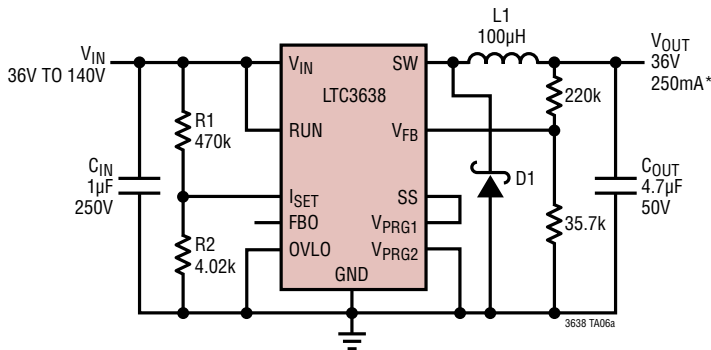
C_{IN}: TDK C5750X7R2E105K
C_{OUT}: TDK C4532X7R1H475M
L1: TDK SLF10145T-101M
D1: TOSHIBA CRH01
M1: VISHAY SILICONIX SI2356DS

V_{DIM} = 0.1V to 1V FOR 10:1 ANALOG DIMMING
PWM = SQUARE WAVE FOR DIGITAL DIMMING
 30V OVERVOLTAGE PROTECTION ON **V_{OUT}**

Efficiency vs Input Voltage



36V to 140V to 36V/250mA with 75mA Input Current Limit

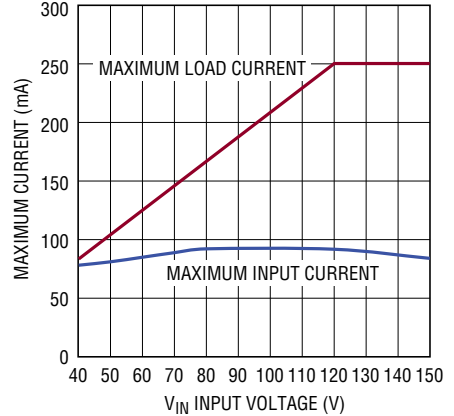


$$\text{INPUT CURRENT LIMIT} = \frac{V_{OUT}}{4} \cdot \frac{R2}{R1+R2} \cdot \left(1 + \frac{5\mu\text{A} \cdot R1}{V_{IN}}\right) \approx \frac{V_{OUT}}{4} \cdot \frac{R2}{R1+R2}$$

$$\text{*MAXIMUM LOAD CURRENT} = \frac{V_{IN}}{36\text{V}} \cdot 75\text{mA} \leq 250\text{mA}$$

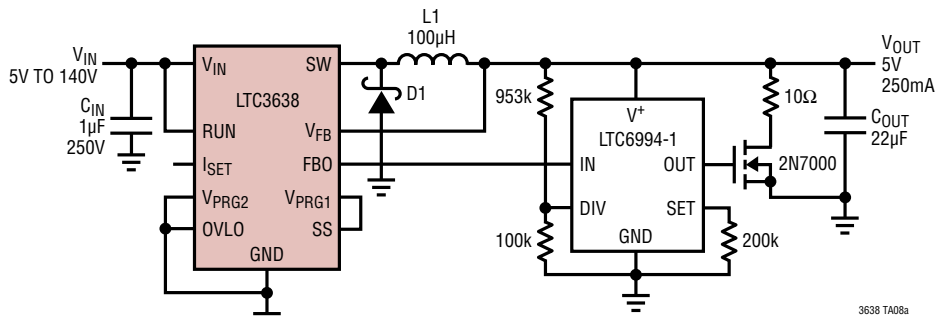
C_{IN}: TDK C5750X7R2E105K
C_{OUT}: TDK C4532X7R1H475M
L1: TDK SLF12555T-101M1R1
D1: ROHM RF101L2S

Maximum Load and Input Current vs Input Voltage



TYPICAL APPLICATIONS

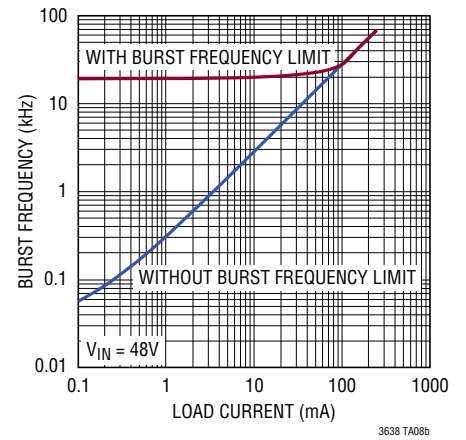
5V to 140V Input to 5V/250mA Output with 20kHz Minimum Burst Frequency



C_{IN}: AVX 2225PC105MAT1A
 C_{OUT}: KEMET C1206C226K9PAC
 L1: COILTRONICS DR74-101-R
 D1: DIODES INC MURS120-13-F

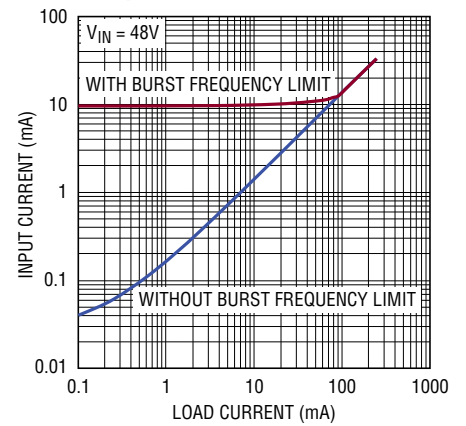
3638 TA08a

Burst Frequency vs Load Current



3638 TA08b

Input Current vs Load Current

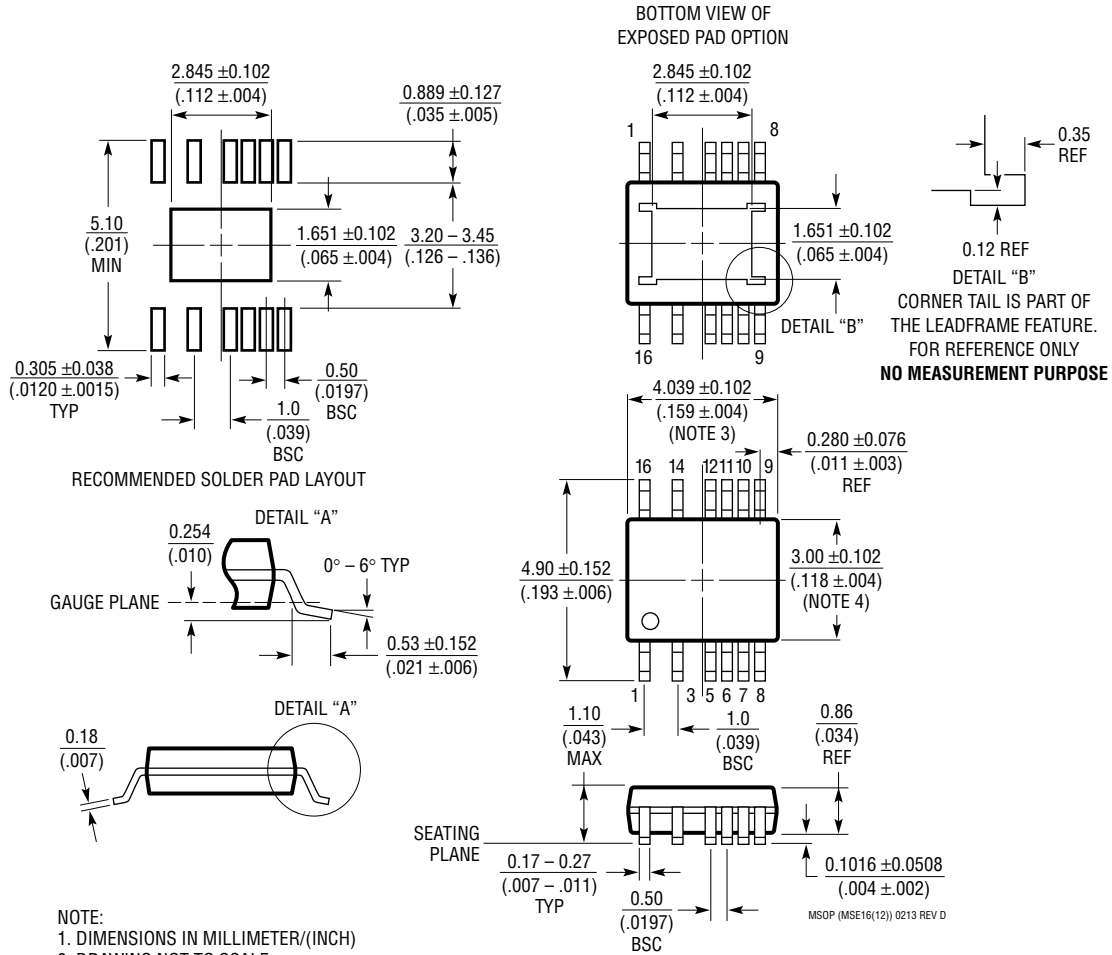


3638 TA08c

PACKAGE DESCRIPTION

Please refer to <http://www.linear.com/designtools/packaging/> for the most recent package drawings.

MSE Package
Variation: MSE16 (12)
16-Lead Plastic MSOP with 4 Pins Removed
Exposed Die Pad
 (Reference LTC DWG # 05-08-1871 Rev D)

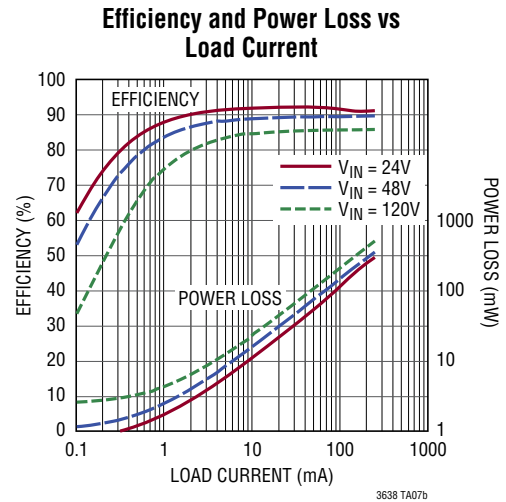
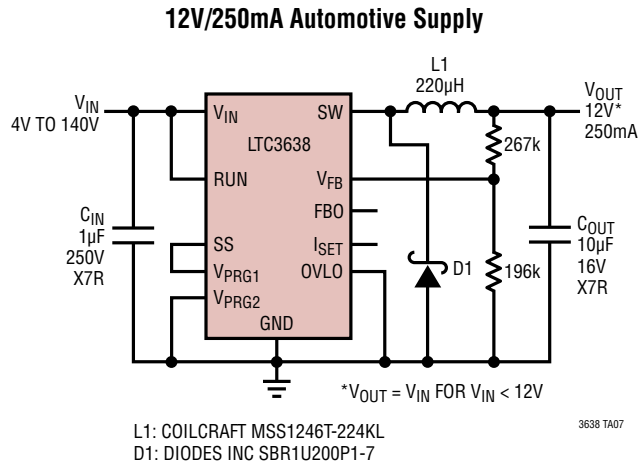


- NOTE:
1. DIMENSIONS IN MILLIMETER/(INCH)
 2. DRAWING NOT TO SCALE
 3. DIMENSION DOES NOT INCLUDE MOLD FLASH, PROTRUSIONS OR GATE BURRS.
MOLD FLASH, PROTRUSIONS OR GATE BURRS SHALL NOT EXCEED 0.152mm (.006") PER SIDE
 4. DIMENSION DOES NOT INCLUDE INTERLEAD FLASH OR PROTRUSIONS.
INTERLEAD FLASH OR PROTRUSIONS SHALL NOT EXCEED 0.152mm (.006") PER SIDE
 5. LEAD COPLANARITY (BOTTOM OF LEADS AFTER FORMING) SHALL BE 0.102mm (.004") MAX
 6. EXPOSED PAD DIMENSION DOES INCLUDE MOLD FLASH. MOLD FLASH ON E-PAD SHALL NOT EXCEED 0.254mm (.010") PER SIDE.

REVISION HISTORY

REV	DATE	DESCRIPTION	PAGE NUMBER
A	12/14	Clarified OVLO Pin Function Clarified Related Parts List	6 24

TYPICAL APPLICATION



RELATED PARTS

PART NUMBER	DESCRIPTION	COMMENTS
LTC7138	140V, 400mA Micropower Step-Down Regulator	V_{IN} : 4V to 140V, $V_{OUT(MIN)}$ = 0.8V, I_Q = 12µA, I_{SD} = 1.4µA, MSE16 Package
LTC3639	150V, 100mA Synchronous Micropower Step-Down DC/DC Regulator	V_{IN} : 4V to 150V, $V_{OUT(MIN)}$ = 0.8V, I_Q = 12µA, I_{SD} = 1.4µA, MS16E Package
LTC3630	65V, 500mA Synchronous Step-Down DC/DC Regulator	V_{IN} : 4V to 65V, $V_{OUT(MIN)}$ = 0.8V, I_Q = 12µA, I_{SD} = 5µA, 3mm × 5mm DFN16, MSOP16E Packages
LTC3637	76V, 1A Synchronous Step-Down DC/DC Regulator	V_{IN} : 4V to 76V, $V_{OUT(MIN)}$ = 0.8V, I_Q = 12µA, I_{SD} = 3µA, 3mm × 5mm DFN16, MSOP16E Packages
LTC3630A	76V, 500mA Synchronous Step-Down DC/DC Regulator	V_{IN} : 4V to 76V, $V_{OUT(MIN)}$ = 0.8V, I_Q = 12µA, I_{SD} = 5µA, 3mm × 5mm DFN16, MSOP16E Packages
LTC3810	100V Synchronous Step-Down DC/DC Controller	V_{IN} : 6.4V to 100V, $V_{OUT(MIN)}$ = 0.8V, I_Q = 2mA, I_{SD} < 240µA, SSOP28 Package
LTC3631/LTC3631-3.3 LTC3631-5	45V (Transient to 60V), 100mA Synchronous Step-Down DC/DC Regulator	V_{IN} : 4.5V to 45V, $V_{OUT(MIN)}$ = 0.8V, I_Q = 12µA, I_{SD} < 3µA, 3mm × 3mm DFN8, MSOP8 Packages
LTC3642	45V (Transient to 60V), 50mA Synchronous Step-Down DC/DC Regulator	V_{IN} : 4.5V to 45V, $V_{OUT(MIN)}$ = 0.8V, I_Q = 12µA, I_{SD} < 3µA, 3mm × 3mm DFN8, MSOP8 Packages
LTC3632	50V (Transient to 60V), 20mA Synchronous Step-Down DC/DC Regulator	V_{IN} : 4.5V to 45V, $V_{OUT(MIN)}$ = 0.8V, I_Q = 12µA, I_{SD} < 3µA, 3mm × 3mm DFN8, MSOP8 Packages
LTC3891	60V Synchronous Step-Down DC/DC Controller with Burst Mode Operation	V_{IN} : 4V to 60V, $V_{OUT(MIN)}$ = 0.8V, I_Q = 50µA, I_{SD} < 14µA, 3mm × 4mm QFN20, TSSOP20E Packages