

LXW SERIES
NEW
105°C Long Life (10000~12000 hours), Ultra Miniaturized

• Temperature Range : -40°C~+105°C

RoHS compliance


◆ SPECIFICATIONS

Items	Characteristics															
Category Temperature Range	-40~+105°C															
Rated Voltage Range	400~500Vdc															
Capacitance Tolerance	±20% (20°C, 120Hz)															
Leakage Current(MAX)	$I = 3 \sqrt{CV}$ (After 5 minutes application of rated voltage) I=Leakage Current(µA) C=Capacitance(µF) V=Rated Voltage(Vdc)															
Dissipation Factor(MAX)	<table border="1"> <tr> <td>Rated Voltage (Vdc)</td> <td>400</td> <td>420~500</td> </tr> <tr> <td>tanδ</td> <td>0.20</td> <td>0.25</td> </tr> </table> (20°C, 120Hz)	Rated Voltage (Vdc)	400	420~500	tanδ	0.20	0.25									
Rated Voltage (Vdc)	400	420~500														
tanδ	0.20	0.25														
Endurance	After applying rated voltage with rated ripple current for specified time at 105°C, the capacitors shall meet the following requirements. <table border="1"> <tr> <td>Capacitance Change</td> <td>Within ±20% of the initial value.</td> <td>Case Size</td> <td>Life Time (hrs)</td> </tr> <tr> <td>Dissipation Factor</td> <td>Not more than 200% of the specified value.</td> <td>L ≤ 20</td> <td>10000</td> </tr> <tr> <td>Leakage Current</td> <td>Not more than the specified value.</td> <td>L ≥ 25</td> <td>12000</td> </tr> </table>	Capacitance Change	Within ±20% of the initial value.	Case Size	Life Time (hrs)	Dissipation Factor	Not more than 200% of the specified value.	L ≤ 20	10000	Leakage Current	Not more than the specified value.	L ≥ 25	12000			
Capacitance Change	Within ±20% of the initial value.	Case Size	Life Time (hrs)													
Dissipation Factor	Not more than 200% of the specified value.	L ≤ 20	10000													
Leakage Current	Not more than the specified value.	L ≥ 25	12000													
Low Temperature Stability Impedance Ratio(MAX)	<table border="1"> <tr> <td>Rated Voltage (Vdc)</td> <td>400</td> <td>420</td> <td>450</td> <td>500</td> </tr> <tr> <td>Z(-25°C)/Z(20°C)</td> <td>5</td> <td>6</td> <td>6</td> <td>8</td> </tr> <tr> <td>Z(-40°C)/Z(20°C)</td> <td>6</td> <td>10</td> <td>10</td> <td>12</td> </tr> </table> (120Hz)	Rated Voltage (Vdc)	400	420	450	500	Z(-25°C)/Z(20°C)	5	6	6	8	Z(-40°C)/Z(20°C)	6	10	10	12
Rated Voltage (Vdc)	400	420	450	500												
Z(-25°C)/Z(20°C)	5	6	6	8												
Z(-40°C)/Z(20°C)	6	10	10	12												

◆ MULTIPLIER FOR RIPPLE CURRENT

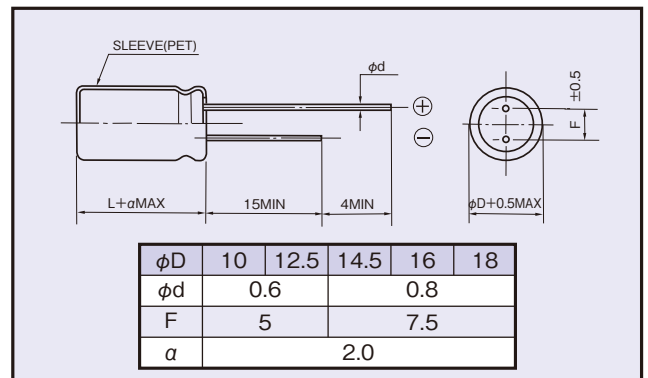
Frequency (Hz)		60(50)	120	500	1k	10k	100k ≤
Coefficient	15~82µF	0.80	1.00	1.30	1.50	2.00	2.20
	100~220µF	0.80	1.00	1.30	1.50	1.90	2.00

◆ OPTION

	Code
PET Sleeve (-40~+105°C)	EFR

◆ DIMENSIONS

(mm)


◆ PART NUMBER

□□□	LXW	□□□□□	M	□□□	□□	DXL
Rated Voltage	Series	Capacitance	Capacitance Tolerance	Option	Lead Forming	Case Size

◆STANDARD SIZE

Rated Voltage (Vdc)	Capacitance (μF)	Size φD×L (mm)	Rated Ripple Current (A r.m.s./105°C)	
			120Hz	100kHz
400	39	10×30	0.410	0.902
	39	12.5×20	0.390	0.858
	47	10×35	0.480	1.056
	47	12.5×25	0.460	1.012
	47	14.5×20	0.460	1.012
	56	10×40	0.540	1.188
	56	16×20	0.520	1.144
	68	10×45	0.610	1.342
	68	10×50	0.640	1.408
	68	12.5×30	0.580	1.276
	68	12.5×35	0.620	1.364
	68	14.5×25	0.590	1.298
	82	10×55	0.720	1.584
	82	10×60	0.740	1.628
	82	12.5×40	0.700	1.540
	82	14.5×30	0.680	1.496
	82	16×25	0.660	1.452
	82	18×20	0.630	1.386
	100	12.5×45	0.800	1.600
	100	12.5×50	0.830	1.660
	100	14.5×35	0.780	1.560
	100	16×30	0.770	1.540
	120	14.5×40	0.890	1.780
	120	14.5×45	0.920	1.840
	120	16×35	0.880	1.760
	120	18×25	0.790	1.580
	150	14.5×50	1.060	2.120
	150	16×40	1.010	2.020
	150	18×30	0.930	1.860
	180	16×45	1.140	2.280
180	16×50	1.180	2.360	
180	18×35	1.060	2.120	
180	18×40	1.140	2.280	
220	18×45	1.290	2.580	
220	18×50	1.340	2.680	

Rated Voltage (Vdc)	Capacitance (μF)	Size φD×L (mm)	Rated Ripple Current (A r.m.s./105°C)	
			120Hz	100kHz
420	33	12.5×20	0.340	0.748
	39	10×30	0.380	0.836
	47	10×35	0.440	0.968
	47	12.5×25	0.430	0.946
	47	14.5×20	0.420	0.924
	56	10×40	0.490	1.078
	56	10×45	0.520	1.144
	56	12.5×30	0.500	1.100
	56	14.5×25	0.500	1.100
	56	16×20	0.480	1.056
	68	10×50	0.590	1.298
	68	10×55	0.610	1.342
	68	12.5×35	0.570	1.254
	68	18×20	0.550	1.210
	82	10×60	0.680	1.496
	82	12.5×40	0.650	1.430
	82	14.5×30	0.630	1.386
	82	16×25	0.610	1.342
	100	12.5×45	0.730	1.460
	100	12.5×50	0.770	1.540
	100	14.5×35	0.720	1.440
	100	14.5×40	0.760	1.520
	100	16×30	0.720	1.440
	100	18×25	0.700	1.400
	120	14.5×45	0.860	1.720
	120	14.5×50	0.890	1.780
	120	16×35	0.820	1.640
	120	18×30	0.810	1.620
	150	16×40	0.930	1.860
	150	16×45	0.980	1.960
150	18×35	0.940	1.880	
180	16×50	1.100	2.200	
180	18×40	1.060	2.120	
220	18×45	1.200	2.400	
220	18×50	1.250	2.500	

◆STANDARD SIZE

Rated Voltage (Vdc)	Capacitance (μ F)	Size ϕ D×L (mm)	Rated Ripple Current (A r.m.s./105°C)	
			120Hz	100kHz
450	27	12.5×20	0.310	0.682
	33	10×30	0.360	0.792
	39	10×35	0.410	0.902
	39	12.5×25	0.400	0.880
	39	14.5×20	0.390	0.858
	47	10×40	0.460	1.012
	47	16×20	0.450	0.990
	56	10×45	0.520	1.144
	56	10×50	0.540	1.188
	56	12.5×30	0.490	1.078
	56	14.5×25	0.500	1.100
	68	10×55	0.610	1.342
	68	10×60	0.630	1.386
	68	12.5×35	0.560	1.232
	68	12.5×40	0.600	1.320
	68	14.5×30	0.580	1.276
	68	16×25	0.570	1.254
	68	18×20	0.540	1.188
	82	12.5×45	0.680	1.496
	82	12.5×50	0.700	1.540
	82	14.5×35	0.670	1.474
	82	16×30	0.650	1.430
	82	18×25	0.640	1.408
	100	14.5×40	0.760	1.520
	100	16×35	0.750	1.500
	120	14.5×45	0.850	1.700
	120	14.5×50	0.890	1.780
	120	16×40	0.860	1.720
	120	18×30	0.800	1.600
	150	16×45	0.980	1.960
150	16×50	1.020	2.040	
150	18×35	0.920	1.840	
150	18×40	0.980	1.960	
180	18×45	1.110	2.220	
220	18×50	1.230	2.460	

Rated Voltage (Vdc)	Capacitance (μ F)	Size ϕ D×L (mm)	Rated Ripple Current (A r.m.s./105°C)	
			120Hz	100kHz
500	15	12.5×20	0.250	0.550
	18	12.5×25	0.290	0.638
	18	14.5×20	0.280	0.616
	22	16×20	0.320	0.704
	27	12.5×30	0.360	0.792
	27	12.5×35	0.380	0.836
	27	14.5×25	0.370	0.814
	33	12.5×40	0.440	0.968
	33	14.5×30	0.430	0.946
	33	16×25	0.420	0.924
	33	18×20	0.410	0.902
	39	12.5×45	0.500	1.100
	39	14.5×35	0.490	1.078
	39	16×30	0.480	1.056
	47	12.5×50	0.560	1.232
	47	14.5×40	0.550	1.210
	47	18×25	0.510	1.122
	56	14.5×45	0.620	1.364
	56	16×35	0.590	1.298
	56	16×40	0.620	1.364
	56	18×30	0.590	1.298
	68	14.5×50	0.690	1.518
	68	16×45	0.710	1.562
	68	18×35	0.680	1.496
	82	16×50	0.790	1.738
	82	18×40	0.770	1.694
	100	18×45	0.860	1.720
	100	18×50	0.910	1.820