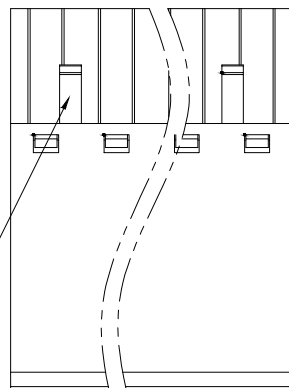


REVISION RECORD				
REV	ECN	DESCRIPTION	DRFT	DATE

O2P: Clasp on the left from this view



NOTES1:

UL Standard

1. Rated voltage/current : 300V / 10A
2. Withstanding voltage : AC1600V/1Min.
3. Torque value : M2.5 , 3.54Lb.in
4. Wire range : 28~12AWG

IEC Standard

1. Pollution Degree	2
Overtoltage Category	III
Rate Impulse Voltage(KV)	4.0KV
Rate Voltage(V)	320V
Rate Current(A)	20A

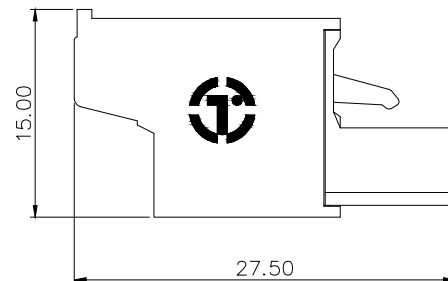
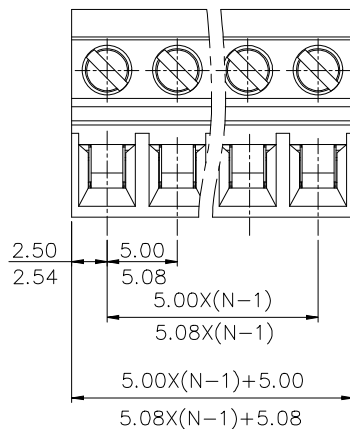
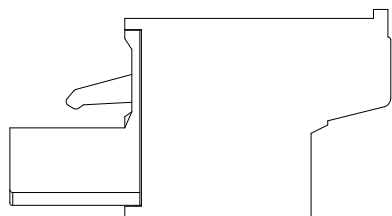
2. Torque value : M2.5 , 0.4N·m
3. Wire range : 0.2~2.5mm<sup>2</sup>

NOTES2:

1. Dimension shall be interpreted per ASME Y14.5-2009
2. Pitch : 5.0/5.08mm, Poles : N=02~24P
3. Stripping length : 9~10mm
4. Operating temperature: -40°C~+105°C
5. Undimensioned tolerances:

Pitch range in mm		Nominal dimension range in mm					-	□
TO	Over	Over	Over	Over	Over	0.1/10		
6	6 TO 10	10 TO 24	30 TO 60	60 TO 100	100 TO 150	≤		
±0.15	±0.20	±0.30	±0.30	±0.50	±0.70	±1.00	±1.30	±2'

6. RoHS Compliance



2ETYKC - 5.0/5.08 - XXP - 1Y - 00A (H)  
 (Series No.) (Pitch) (Poles) (Single Pitch) (RoHS)  
 00A-(Standard)  
 (Color): 1.(Grey) 2.(Blue) 3.(Black) 4.(Green) 5.(Orange)  
 6.(Red) 7.(Transparent) 8.(Yellow) 9.(White)

DETACHED LISTS	PART NO.: /	拓宜 (上海) 工控电器设备有限公司		
	APPD: /	NAME: 2ETYKC-5.0/5.08-XXP-1Y-00A(H)		
	CHKD: /	TITLE: CUSTOMER DRAWING		REV DO
	DRFT: /	DRAWING NO.: /		SHEET 1/1
THIRD ANGLE PROJECTION		MM (INCH)	DO NOT SCALE DRAWING	SCALE 1:1