

SF31G THRU SF38G

Superfast Recovery Rectifiers

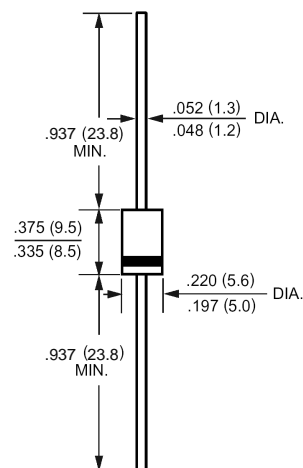
FEATURES

- Glass Passivated chip junction
- High surge capability
- Low forward voltage, high current capability
- Hermetically sealed
- Superfast recovery times
- Exceeds environmental standards of MIL-S-19500/228
- Low leakage.

MECHANICAL DATA

Case: Molded plastic, DO-201AD
 Epoxy: UL 94V-O rate flame retardant
 Lead: Axial leads, solderable per MIL-STD-202, method 208 guaranteed
 Polarity: Color band denotes cathode end
 Mounting position: Any
 Weight: 0.04ounce, 1.1gram

DO-201AD(DO-27)



Dimensions in inches and (millimeters)

Maximum Ratings and Electrical Characteristics

Ratings at 25 °C ambient temperature unless otherwise specified.
 Single phase, half wave, 60Hz, resistive or inductive load.
 For capacitive load, derate current by 20%.

	Symbols	SF31G	SF32G	SF33G	SF34G	SF35G	SF36G	SF38G	Units	
Maximum Recurrent Peak Reverse Voltage	V_{RRM}	50	100	150	200	300	400	650	Volts	
Maximum RMS Voltage	V_{RMS}	35	70	105	140	210	280	450	Volts	
Maximum DC Blocking Voltage	V_{DC}	50	100	150	200	300	400	650	Volts	
Maximum Average Forward Rectified Current 375"(9.5mm) Lead Length at $T_A=55$	$I_{(AV)}$	3.0							Amp	
Peak Forward Surge Current, 8.3ms single half-sine-wave superimposed on rated load (JEDEC method)	I_{FSM}	125							Amp	
Maximum Forward Voltage at 3.0A DC and 25	V_F	0.95				1.25		1.7	Volts	
Maximum Reverse Current at $T_A=25$ at Rated DC Blocking Voltage $T_A=100$	I_R	5.0				500				uAmp
Typical Junction Capacitance (Note 1)	C_J	100				80			pF	
Typical Thermal Resistance (Note 2)	$R_{\theta JA}$	20							/W	
Maximum Reverse Recovery Time (Note 3)	T_{RR}	35							nS	
Operating Junction Temperature Range	T_J	-55 to +150								
Storage Temperature Range	T_{stg}	-55 to +150								

NOTES:

- 1- Measured at 1 MHz and applied reverse voltage of 4.0 VDC.
- 2- Thermal Resistance from Junction to Ambient 0.375"(9.5mm) lead length P.C.B. Mounted.
- 3- Reverse Recovery Test Conditions : $I_F=5A$, $I_R=1A$, $I_{RR}=0.25A$.

RATINGS AND CHARACTERISTIC CURVES

FIG.1- REVERSE RECOVERY TIME CHARACTERISTIC AND TEST CIRCUIT DIAGRAM

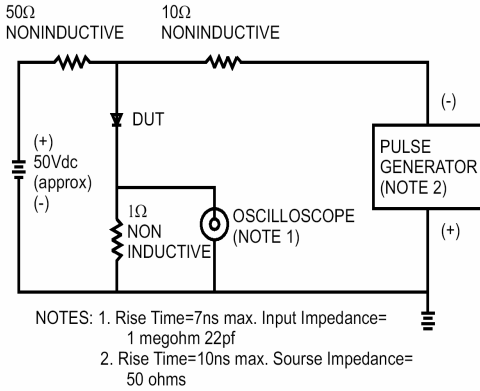


FIG.2- MAXIMUM AVERAGE FORWARD CURRENT DERATING

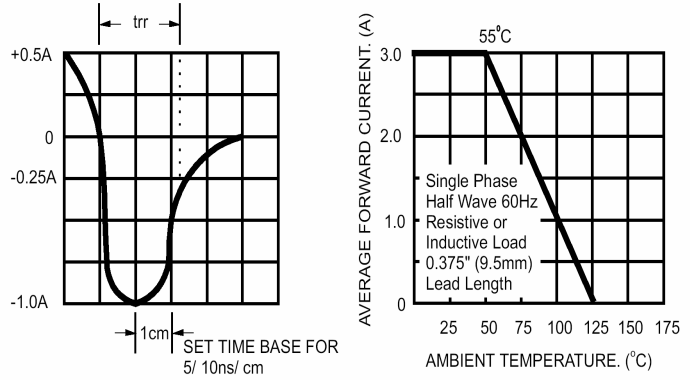


FIG.3- TYPICAL REVERSE CHARACTERISTICS

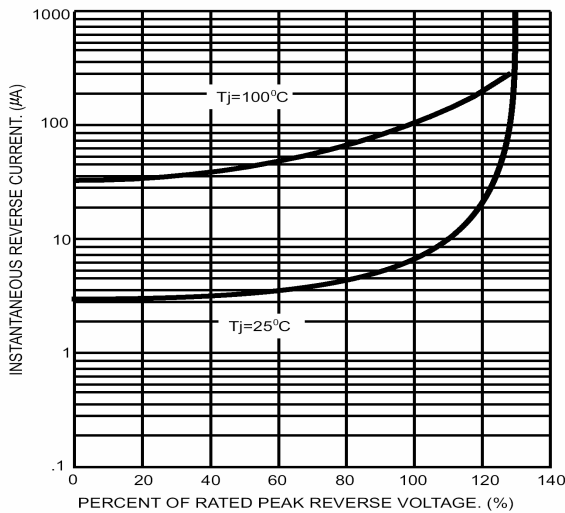


FIG.4- TYPICAL FORWARD CHARACTERISTICS

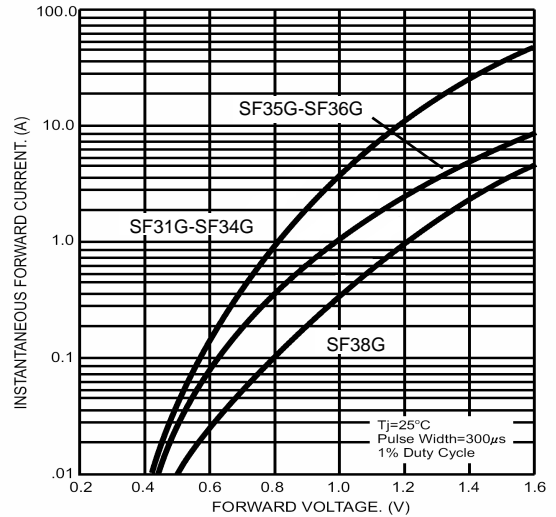


FIG.5- MAXIMUM NON-REPETITIVE FORWARD SURGE CURRENT

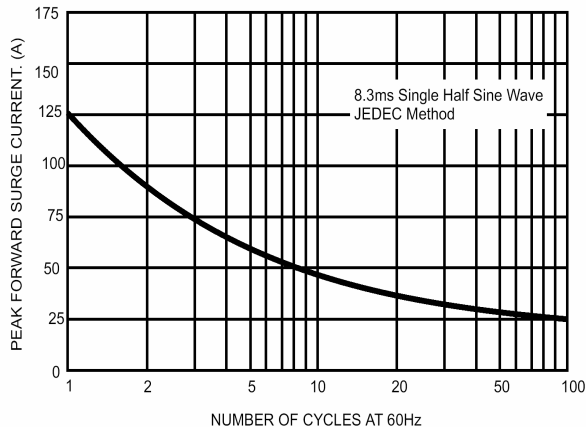


FIG.6- TYPICAL JUNCTION CAPACITANCE

