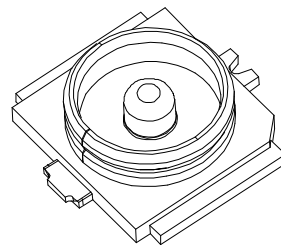
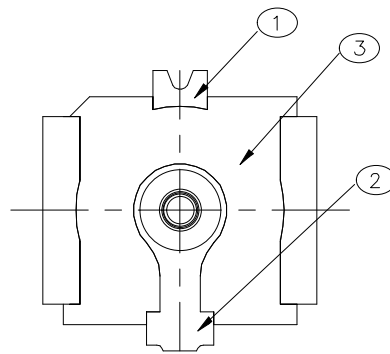


Recommended PCB Layout  
(General Tolerance Is  $\pm 0.05$ )

1. Material: see table A
2. Plating: see table A
3. Electrical characteristics
  - 3.1 Rated voltage: 60V, 50Hz, rms.
  - 3.2 Insulation resistance  $\geq 5,000\text{M}\Omega$ ;
  - 3.3 Dielectric withstanding voltage: 200V AC 1 Min;
  - 3.4 Contact resistance:
    - 3.4.1 Inner conductor  $\leq 20\text{m}\Omega$ ;
    - 3.4.2 Outer conductor  $\leq 20\text{m}\Omega$ ;
  - 3.5 Characteristic impedance:  $50\Omega$ .
  - 3.6 VSWR:
    - $\leq 1.3$  (DC~3GHz);
    - $\leq 1.4$  (3~6GHz).
  - 3.7 Frequency range: DC~6GHz.
  - 3.8 100% OPEN, SHORT CIRCUIT TEST.
4. Environment
  - 4.1 Operating temperature range:  $-40^\circ\text{C} \sim +90^\circ\text{C}$ .
  - 4.2 Relative humidity:  $\leq 95\%$  ( $40^\circ\text{C} \pm 2^\circ\text{C}$ )
  - 4.3 Product should meet HSF requirement;
5. Mark ▼ Dimensions are important control dimensions; Mark ▽ Dimensions are pivotal control dimensions.



3	HOUSING	1	LCP 6808, COLOR: BLACK, UL 94V-0	—
2	CONTACT	1	Brass C2680, Contact Area Plating Au 4 $\mu$ ' Min , The Other Area Plating Au Gold Flash, Ni Plating 50~150" $\mu$	—
1	SHELL	1	Phosphor bronze C5191, Contact Area Plating Au 2 $\mu$ ' Min, The Other Area Plating Au Gold Flash, Ni Plating 50~150" $\mu$	—
Item	component	Qt'y	Material/Treatment	Note

Free tolerance	Unit	mm					深圳市华灿天禄电子有限公司			
Length size	Material		SEE NOTES				Product Name		RF IV Receptacle Assembly (H=0.6mm)	
X. $\pm 0.50$	Finish		SEE NOTES				P/N		3.2.08.0113	
.X $\pm 0.30$	Approved by		Jack Hu	Jun. 02, 15		Designed by		PAN BAI		
.XX $\pm 0.20$	Checked by		YC.YANG	Jun. 02, 15		Drawing No.		HC-RF-IPEX2020-04		
.XXX $\pm 0.10$	Drawn by		ZH.XU	Jun. 02, 15		Scale		1 : 1		
角度	X. $\pm 3.0'$						Drawing spec.		A4 Page 1 of 1 Version A1	
	.X $\pm 2.0'$									
	.XX $\pm 1.0'$									

A1	—	New release	ZH.XU	YC.YANG	Jack Hu
Version	ECN No.	Edit description	Drawing/Date	Checked by	Approved by