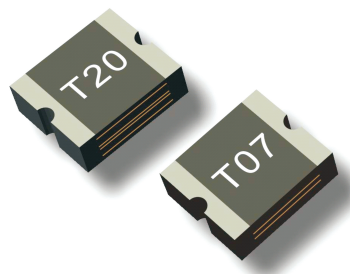


Features

- ◆ Surface Mount Devices
- ◆ Standard 1210mils footprint
- ◆ Surface mount packaging for automated assembly
- ◆ Compatible with Pb and Pb-free solder reflow profiles.
- ◆ UL(E352136), C-UL(E352136), TUV(R50306076)
- ◆ RoHS, Reach, HF compliance

Applications

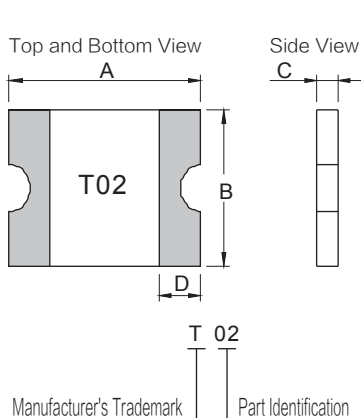
- ◆ Mobile phones
- ◆ PC motherboards
- ◆ IEEE1394 ports
- ◆ USB port protection
- ◆ HDMI source protection
- ◆ Game console port protection



电气特性 :

| P/N | 保持电流 | 跳脱电流 | 最大电压 | 最大电流 | 最大动作时间 | | 消耗功率 | 电阻范围 (Ω) | |
|-------------|-----------|-----------|---------------|---------------|--------|--------|----------------|-----------|------------|
| | I_H (A) | I_T (A) | V_{max} (V) | I_{max} (A) | (A) | (Sec.) | Pd_{typ} (W) | R_{min} | $R1_{max}$ |
| K1210L005AR | 0.05 | 0.15 | 30 | 10 | 0.25 | 1.50 | 0.60 | 2.80 | 50.00 |
| K1210L010AR | 0.10 | 0.30 | 30 | 10 | 0.50 | 0.60 | 0.60 | 0.80 | 15.00 |
| K1210L020AR | 0.20 | 0.40 | 30 | 10 | 8.00 | 0.02 | 0.60 | 0.40 | 5.00 |
| K1210L035YR | 0.35 | 0.75 | 6 | 40 | 8.00 | 0.20 | 0.60 | 0.20 | 1.30 |
| K1210L050YR | 0.50 | 1.00 | 13.2 | 40 | 8.00 | 0.10 | 0.60 | 0.18 | 0.90 |
| K1210L075YR | 0.75 | 1.50 | 6 | 40 | 8.00 | 0.10 | 0.60 | 0.07 | 0.45 |
| K1210L110YR | 1.10 | 2.20 | 6 | 40 | 8.00 | 0.30 | 0.60 | 0.05 | 0.24 |
| K1210L150AR | 1.50 | 3.00 | 6 | 40 | 8.00 | 0.50 | 0.60 | 0.03 | 0.11 |
| K1210L175AR | 1.75 | 4.00 | 6 | 40 | 8.00 | 1.00 | 0.70 | 0.02 | 0.09 |
| K1210L200AR | 2.00 | 4.00 | 6 | 40 | 8.00 | 1.00 | 0.70 | 0.02 | 0.09 |

产品尺寸 (Unit: mm) :

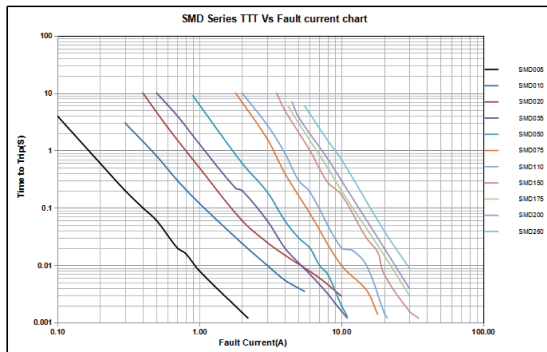


| P/N | Marking (标识) | A | | B | | C | | D |
|-------------|--------------|------|------|------|------|------|------|------|
| | | Min. | Max. | Min. | Max. | Min. | Max. | Min. |
| K1210L005AR | T0 | 3.00 | 3.43 | 2.35 | 2.80 | 0.80 | 1.20 | 0.30 |
| K1210L010AR | T01 | 3.00 | 3.43 | 2.35 | 2.80 | 0.80 | 1.20 | 0.30 |
| K1210L020AR | T02 | 3.00 | 3.43 | 2.35 | 2.80 | 0.80 | 1.20 | 0.30 |
| K1210L035YR | T03 | 3.00 | 3.43 | 2.35 | 2.80 | 0.60 | 1.00 | 0.30 |
| K1210L050YR | T05 | 3.00 | 3.43 | 2.35 | 2.80 | 0.60 | 1.00 | 0.30 |
| K1210L075YR | T07 | 3.00 | 3.43 | 2.35 | 2.80 | 0.60 | 1.00 | 0.30 |
| K1210L110YR | T11 | 3.00 | 3.43 | 2.35 | 2.80 | 0.45 | 0.85 | 0.30 |
| K1210L150AR | T15 | 3.00 | 3.43 | 2.35 | 2.80 | 0.60 | 1.00 | 0.30 |
| K1210L175AR | T20 | 3.00 | 3.43 | 2.35 | 2.80 | 0.60 | 1.00 | 0.30 |
| K1210L200AR | T20 | 3.00 | 3.43 | 2.35 | 2.80 | 0.60 | 1.00 | 0.30 |

环境温度与工作电流关系特性曲线：

| P/N | 工作环境温度 | | | | | | | | |
|-------------|--------|------|------|------|------|------|------|------|------|
| | -40℃ | -20℃ | 0℃ | 25℃ | 40℃ | 50℃ | 60℃ | 70℃ | 85℃ |
| K1210L005AR | 0.08 | 0.07 | 0.06 | 0.05 | 0.04 | 0.04 | 0.03 | 0.03 | 0.02 |
| K1210L010AR | 0.15 | 0.13 | 0.12 | 0.10 | 0.09 | 0.08 | 0.07 | 0.06 | 0.05 |
| K1210L020AR | 0.32 | 0.28 | 0.24 | 0.20 | 0.18 | 0.16 | 0.14 | 0.12 | 0.10 |
| K1210L035YR | 0.51 | 0.46 | 0.40 | 0.35 | 0.30 | 0.27 | 0.24 | 0.22 | 0.18 |
| K1210L050YR | 0.76 | 0.66 | 0.58 | 0.50 | 0.42 | 0.38 | 0.35 | 0.29 | 0.23 |
| K1210L075YR | 1.10 | 0.97 | 0.86 | 0.75 | 0.64 | 0.58 | 0.55 | 0.47 | 0.39 |
| K1210L110YR | 1.60 | 1.42 | 1.26 | 1.10 | 0.94 | 0.86 | 0.80 | 0.70 | 0.58 |
| K1210L150AR | 2.30 | 2.02 | 1.76 | 1.50 | 1.24 | 1.11 | 1.00 | 0.85 | 0.65 |
| K1210L175AR | 2.55 | 2.26 | 2.00 | 1.75 | 1.50 | 1.37 | 0.98 | 0.86 | 0.71 |
| K1210L200AR | 3.20 | 2.80 | 2.40 | 2.00 | 1.80 | 1.60 | 1.40 | 1.20 | 1.00 |

动作电流时间曲线表：



The Time to Trip curves represent typical performance of a device in a simulated application environment. Actual performance in specific customer applications may differ from these values due to the influence of other variables.