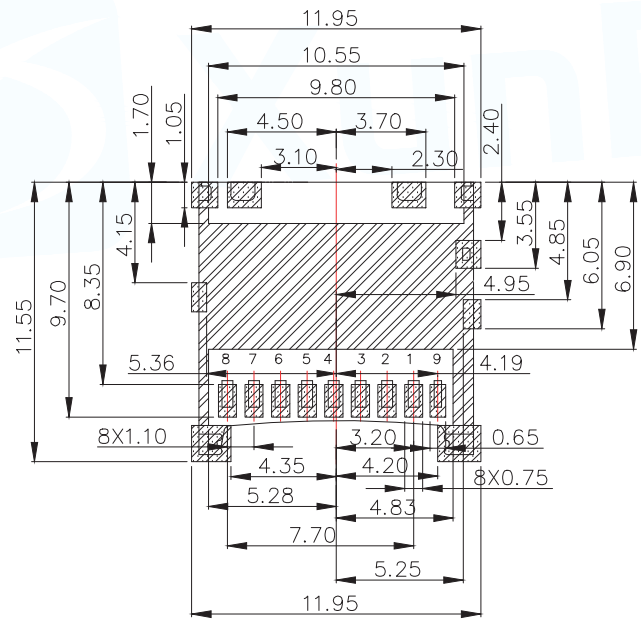
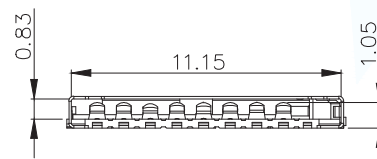
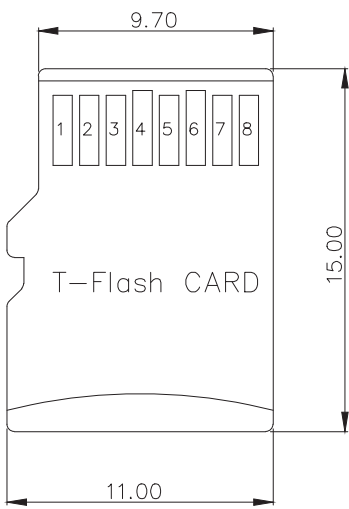


SPECIFICATIONS:

- ELECTRICAL CHARACTERISTICS**
 - CONTACT RESISTANCE: 80 milliohms MAX.
 - INSULATION RESISTANCE: 1,000 Megohms MIN.
 - DIELECTRIC WITHSTANDING VOLTAGE: 500V AC FOR 1 MINUTE.
- MECHANICAL CHARACTERISTICS**
 - RETENTION FORCE: MIN.100gf/PIN
 - DURABILITY: 5,000 CYCLES
- RoHS 2002/95/EC COMPLIANT.



TF CARD PIN DEFINE			
PIN NO.	NAME	YYPE	DESCRIPTION
1	DAT2	I/O/PP	DATE LINE(BIT2)
2	CD/DAT3	I/O/PP	CARD DETECT DATE LIN(BIT3)
3	CMD	PP	COMMAND RESPONSE
4	VDD	S	SUPPLY VOLTAGE
5	CLX	I	CLOCK
6	VSS	S	SUPPLY VOLTAGE GROUND
7	DAT0	I/O/PP	DATE LINE(BIT0)
8	DAT1	I/O/PP	DATE LINE(DIT1)
9	SWA		



PAD AREA
 KEEP OUT AREA
RECOMMENDED PCB LAYOUT
 GENERAL TOLERANCE ±0.05

Circuit Diagram for Detect Switch



E	SW-B	1	STAINLESS STEEL	Ni/Au PLATING
D	SW-A	1	COPPER ALLOY	Ni/Au PLATING
C	SHELL-A	1	STAINLESS STEEL	Ni/Au PLATING
B	CONTACT	8	COPPER ALLOY	Gold Flash On Contact Area Tin plated on Solder tail All over Nickel Plated .
A	HOUSING	1	HIGH-TEMPERATURE PLASTIC UL94-V0	BLACK

NO	DESCRIPTION	QTY	MATERIAL	PLATING & COLOR
MANUFACTURE DWG				
UNLESS OTHERWISE SPECIFIED TOLERANCES				
DECIMALS: ANGLES:				
X.: ±0.50 X.: ±2°				
X.X: ±0.30 X.X: ±1°				
X.XX: ±0.20				

东莞市讯普电子科技有限公司
DongGuan XunPu Electronics Co.,Ltd

TITLE: T-F CARD CONN SMT
9P 1.32H

PAR TF-110

DWN

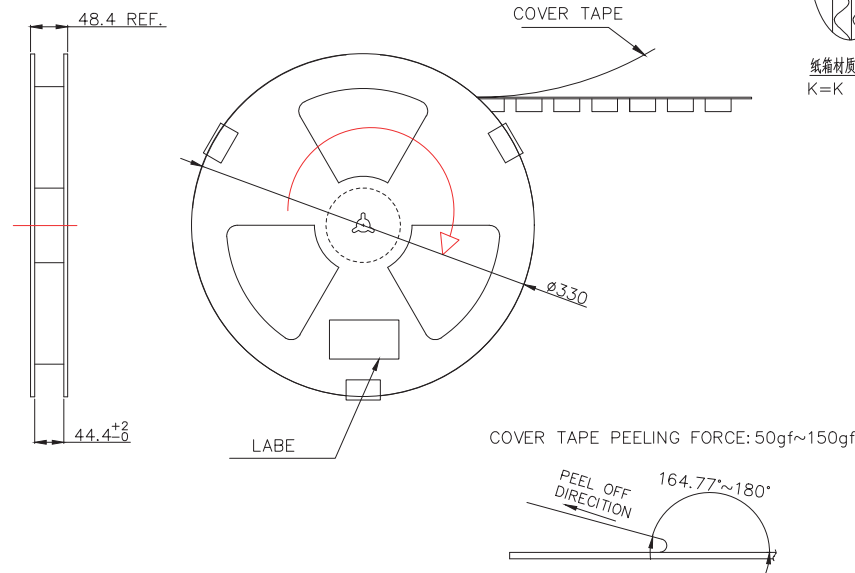
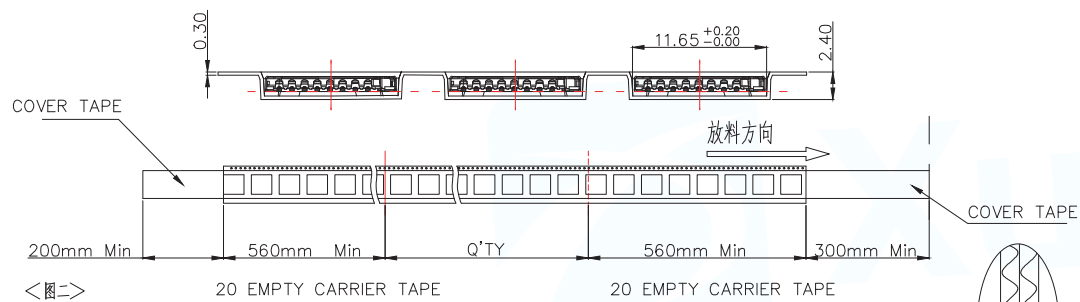
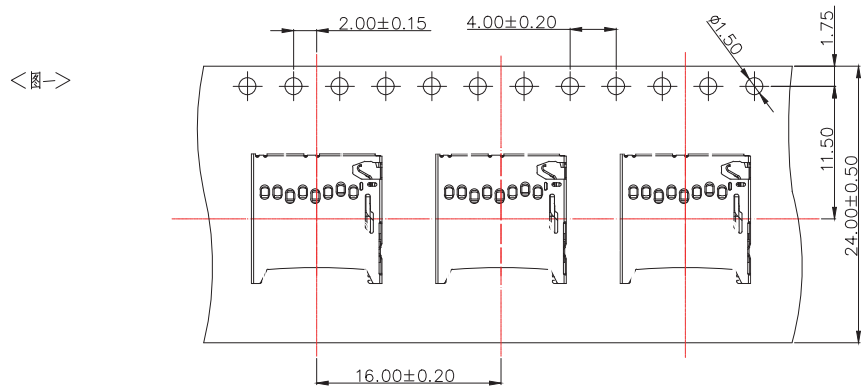
CHKD

APVD

SCALE:1:1 UNIT: MM

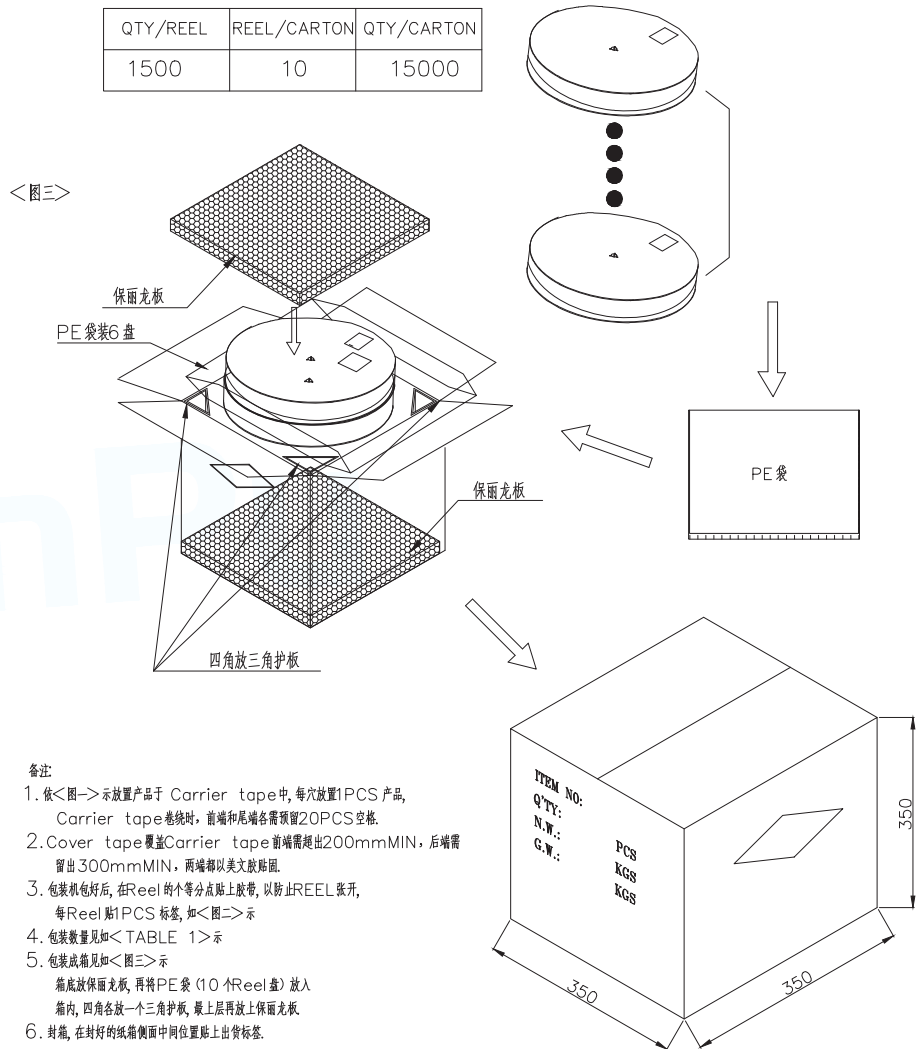
SIZE: A4 SHEET: 1F1

CUSTOMER COPY



<TABLE 1> PACKAGING QUANTITY

QTY/REEL	REEL/CARTON	QTY/CARTON
1500	10	15000



- 备注:
- 依<图一>示放置产品于 Carrier tape中, 每穴放置1PCS 产品, Carrier tape卷绕时, 前端和尾端各需预留20PCS 空格.
 - Cover tape覆盖Carrier tape 前端需超出200mmMIN, 后端需留出300mmMIN, 两端需以美纹胶贴固.
 - 包装机包好后, 在Reel 的个等分点上贴胶, 以防止REEL 张开, 每Reel 贴1PCS 标签, 如<图二>示
 - 包装数量见如<TABLE 1>示
 - 包装装箱见如<图三>示
箱底放保丽龙板, 再将PE袋 (10个Reel 盘) 放入箱内, 四角各放一个三角护板, 最上层再放上保丽龙板
 - 封箱, 在封好的纸箱侧面中间位置贴上出货标签.

MANUFACTURE DWG		东莞市讯普电子科技有限公司 DongGuan XunPu Electronics Co.,Ltd	
UNLESS OTHERWISE SPECIFIED TOLERANCES			TITLE: T-F CARD CONN SMT 9P 1.32H 包装图
DECIMALS:	ANGLES:		PAR TF-110
X.: ±0.50	X.: ±2°		DWN
X.X: ±0.30	X.X': ±1°		CHKD
X.XX: ±0.20		APVD	SCALE: 1:1 UNIT: MM
CUSTOMER COPY		SIZE: A4	SHEET: 1F1 REV: A