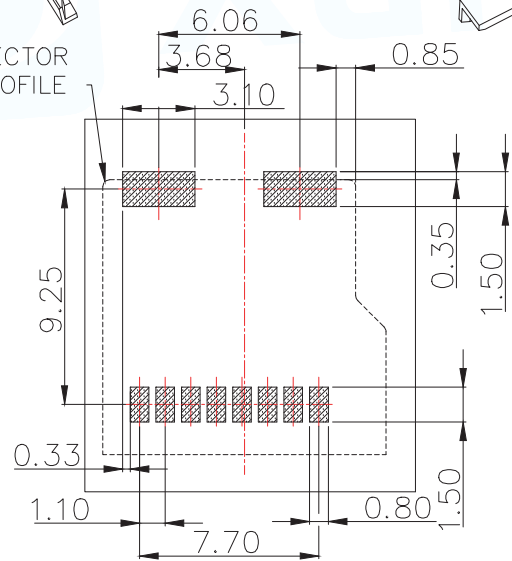


CONNECTOR PROFILE



▨ PAD AREA
 ■ KEEP OUT AREA

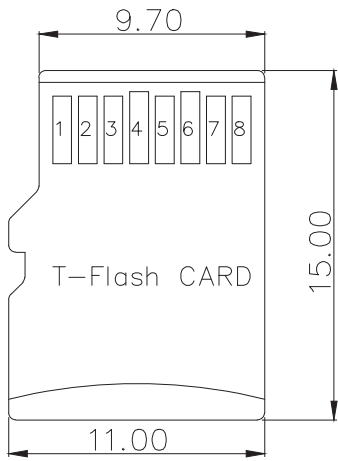
RECOMMENDED PCB LAYOUT
 GENERAL TOLERANCE ±0.05

NOTES:

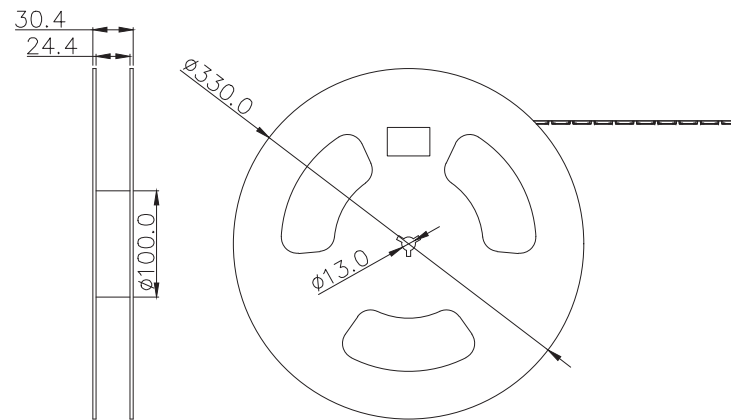
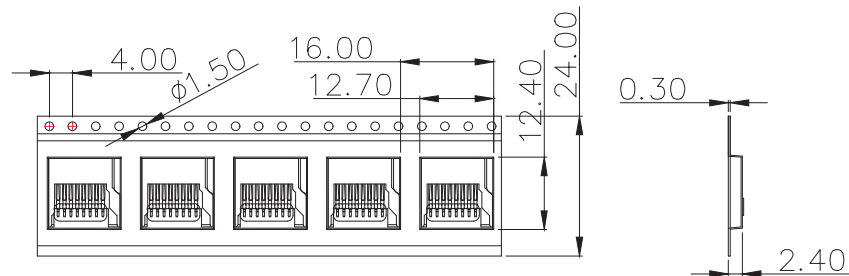
- MATERIAL:
 HOUSING: LCP E130I,UL 94V-0,30%G/F FILLED;
 COLOR:BLACK
 CONTACT: COPPER ALLOY T=0.15MM
 GROUND: COPPER ALLOY T=0.15MM
- FINISH:
 CONTACT: 1U" GOLD PLATING ON CONTACT AREA
 TIN 100U" MIN PLATING ON SOLDER TAILS
 50U" MIN NICKEL UNDERPLATING OVER ALL
 GROUND: SN 100U" MIN PLATING ON SOLDER TAILS
 50U" MIN NICKEL UNDERPLATING OVER ALL
- PRODUCT SPECIFICATIONS:
 VOLTAGE RATING: 50V
 CURRENT RATING: 0.5A
 INSULATION RESISTANCE: 500MEG.OHM MIN
 CONTACT RESISTANCE: 50 MILL.OHM MAX
 OPERATION TEMPERATURE: -20° TO +85°
 DURABILITY: 5000 CYCLES

TF CARD PIN DEFINE

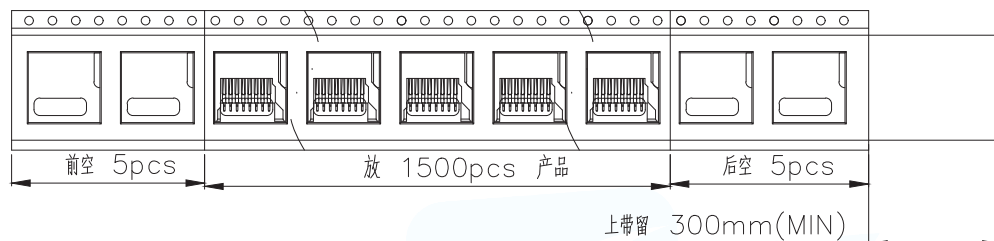
PIN NO.	NAME	YTYPE	DESCRIPTION
1	DAT2	I/O/PP	DATE LINE(BIT2)
2	CD/DAT3	I/O/PP	CARD DETECT DATE LIN(BIT3)
3	CMD	PP	COMMAND RESPONSE
4	VDD	S	SUPPLY VOLTAGE
5	CLX	I	CLOCK
6	VSS	S	SUPPLY VOLTAGE GROUND
7	DAT0	I/O/PP	DATE LINE(BIT0)
8	DAT1	I/O/PP	DATE LINE(DIT1)



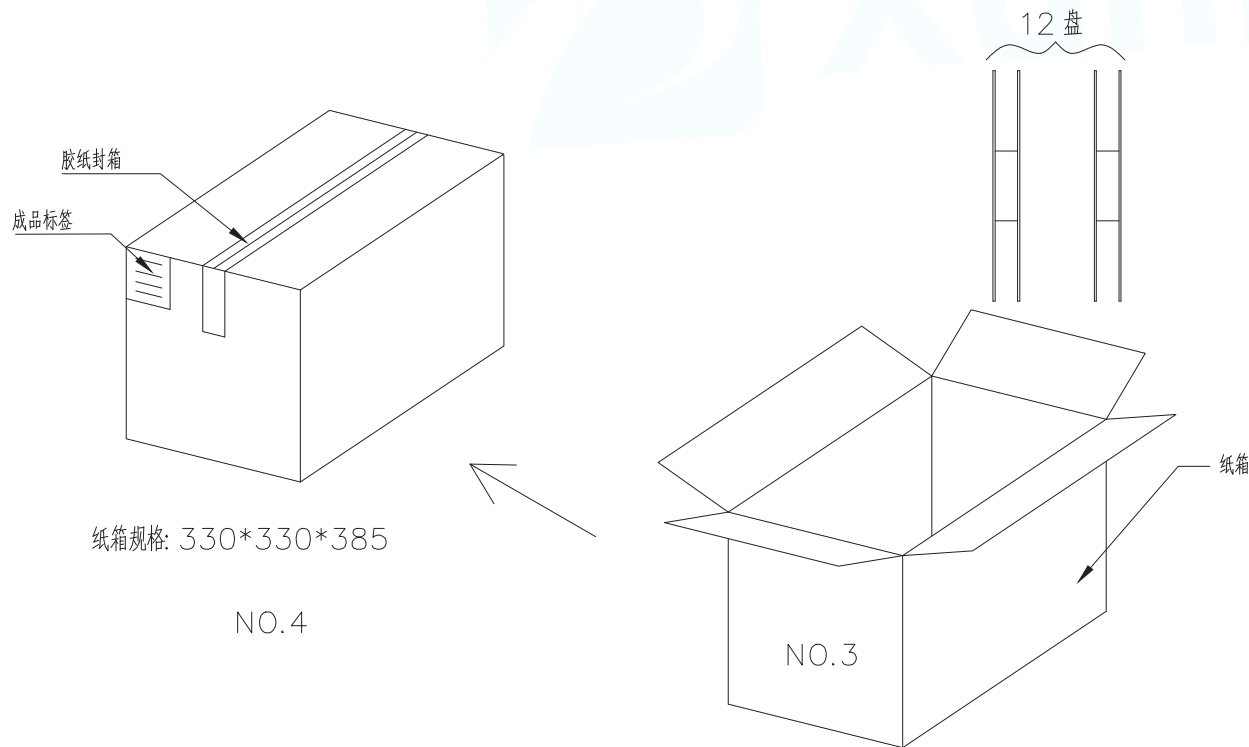
MANUFACTURE DWG			东莞市讯普电子科技有限公司 DongGuan XunPu Electronics Co.,Ltd	
UNLESS OTHERWISE SPECIFIED TOLERANCES			TITLE: T-FLASH CARD 简易全塑卡座	
DECIMALS:	ANGLES:	CUSTOMER COPY	PAR	TF-104
.X: ±0.35	X.°: ±5°		DWN	
.XX: ±0.25	.X.°: ±3°		CHKD	
.XXX: ±0.15	.XX.°: ±2°		APVD	
		SCALE: 1:1	UNIT: MM	
		SIZE: A4	SHEET: 1F1	REV: A



NO.2



NO.1



NO.4

1. 材质要求:

- 1.1 纸箱的材质为K=K;外形尺寸为33*33*38.5;
- 1.2 卷盘的材质为PS,卷盘的外形尺寸为 $\phi 330*30.4$;
- 1.3 卷带的材质为PS,卷带的外形尺寸为24160*24.00*2.4mm;

2. 包装方式:

- 2.1 将卷带放入包装机后,前空5PCS,后放产品1500PCS,再后空5PCS;上带留300MM长度。
- 2.2 将包装好的产品从包装机上取下并包装好;
- 2.3 把累叠好的12 盘放入纸箱中共计18Kset;
- 2.4 把包装好的成品打包封箱,并在纸箱外贴上标签

MANUFACTURE DWG		东莞市讯普电子科技有限公司 DongGuan XunPu Electronics Co.,Ltd	
UNLESS OTHERWISE SPECIFIED TOLERANCES			TITLE: T-FLASH CARD简易全塑卡座
DECIMALS:	ANGLES:		PAR TF-104
X.: ± 0.5	.X': $\pm 3'$		DWN
X.X: ± 0.20	.XX': $\pm 2'$		CHKD
X.XX: ± 0.10		APVD	SCALE: 1:1 UNIT: MM
CUSTOMER COPY		SIZE: A4	SHEET: 1F1 REV: A