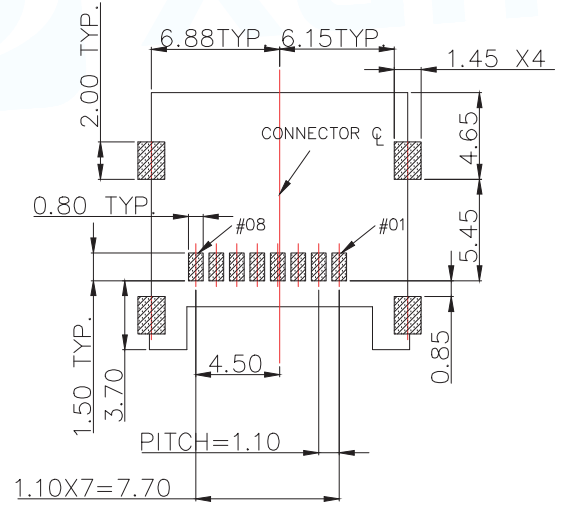
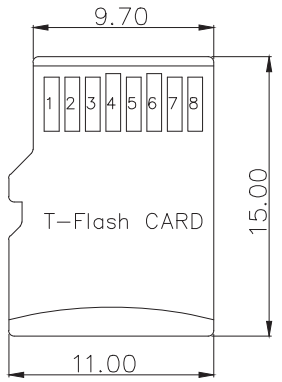


- NOTES:
- MATERIAL:
INSULATOR: HIGH TEMPERATURE THERMO PLASTIC
FLAMMABILITY RATING: UL94V-0 COLOR: BLACK
CONTACT: COPPER ALLOYS
COVER: STAINLESS STEEL
 - CONTACT AREA PLATING: GOLD OVER NI
 - SOLDER TAIL COPLANARITY MUST BE WITHIN 0.10MAX.



TF CARD PIN DEFINE			
PIN NO.	NAME	TYPE	DESCRIPTION
1	DAT2	I/O/PP	DATE LINE(BIT2)
2	CD/DAT3	I/O/PP	CARD DETECT DATE LIN(BIT3)
3	CMD	PP	COMMAND RESPONSE
4	VDD	S	SUPPLY VOLTAGE
5	CLX	I	CLOCK
6	VSS	S	SUPPLY VOLTAGE GROUND
7	DAT0	I/O/PP	DATE LINE(BIT0)
8	DAT1	I/O/PP	DATE LINE(BIT1)



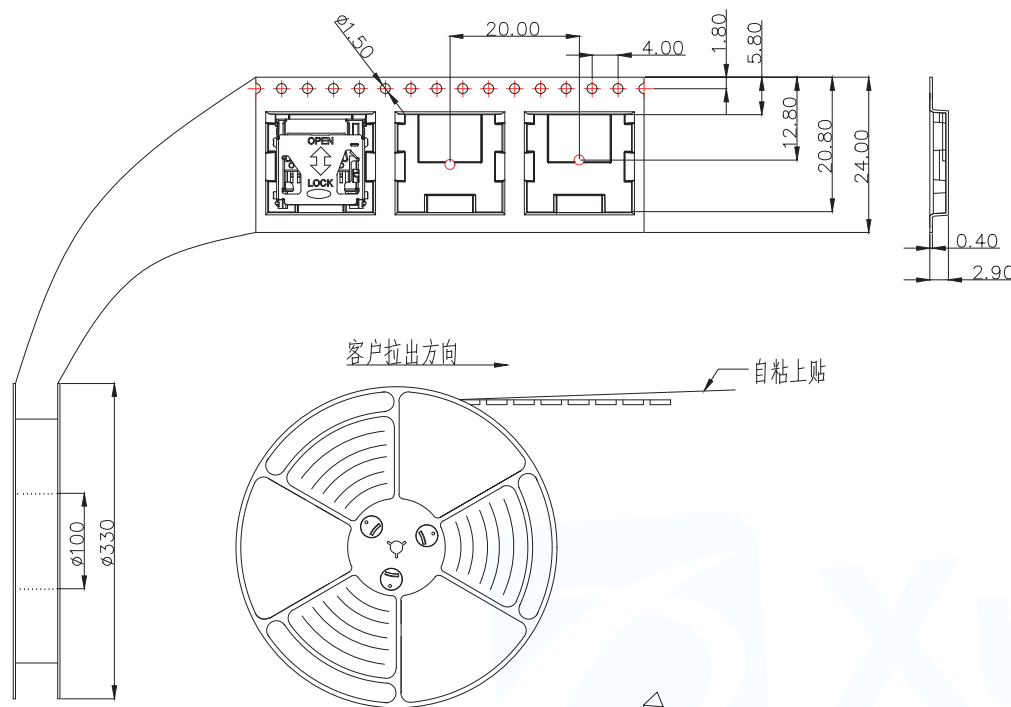
▨ PAD AREA

■ KEEP OUT AREA

RECOMMENDED PCB LAYOUT

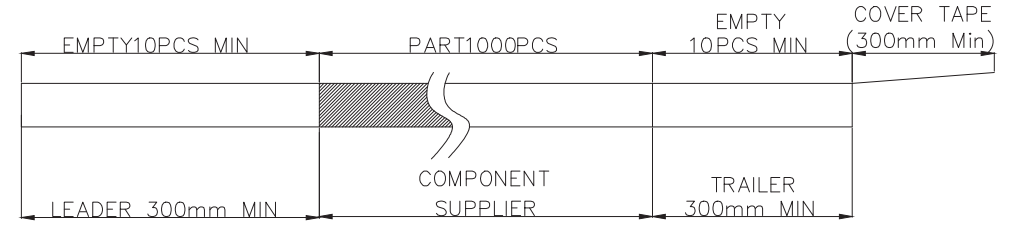
GENERAL TOLERANCE ± 0.05

MANUFACTURE DWG		东莞市讯普电子科技有限公司 DongGuan XunPu Electronics Co.,Ltd	
UNLESS OTHERWISE SPECIFIED TOLERANCES		TITLE: T-FLASH CARD HINGED 掀盖T卡	
DECIMALS:	ANGLES:	PAR	TF-103
.X: ± 0.30	X.: $\pm 2^\circ$	DWN	
.XX: ± 0.20	X.X: $\pm 1^\circ$	CHKD	
.XXX: ± 0.10		APVD	
CUSTOMER COPY		SCALE: 1:1	UNIT: MM
		SIZE: A4	SHEET: 1F1
			REV: A

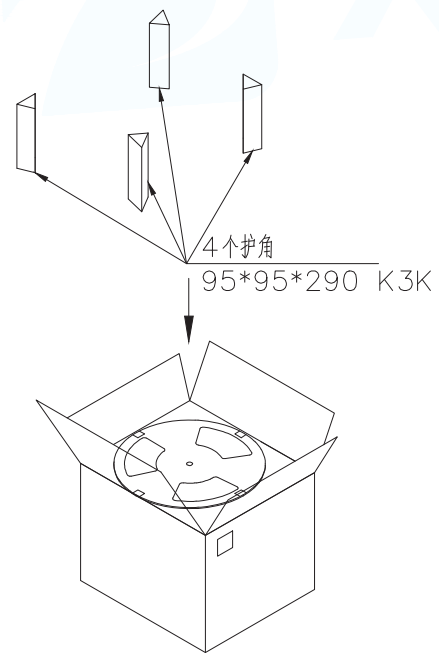
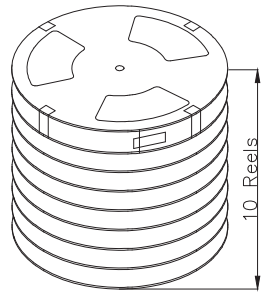


NOTES

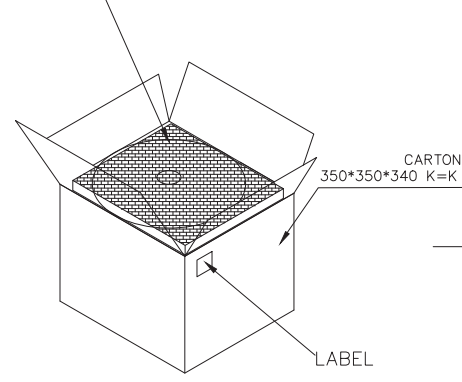
1. NUMBER OF CONNECT ORS:1000PCS/REEL
2. LEAD TAPE LENGTH



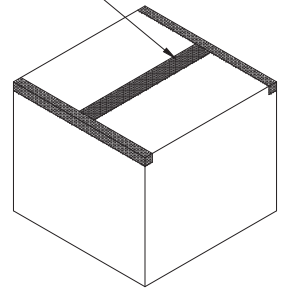
3. QUANTITY:10000PCS/CARTON



上下各1PCS 珍珠棉



胶纸工字型封箱



MANUFACTURE DWG		 东莞市讯普电子科技有限公司 DongGuan XunPu Electronics Co.,Ltd	
UNLESS OTHERWISE SPECIFIED TOLERANCES		 TITLE: T-FLASH CARD HINGED 掀盖T卡	
DECIMALS:	ANGLES:	PAR	TF-103
.X: ±0.30	X.°: ±2°	DWN	
.XX: ±0.20	X.X°: ±1°	CHKD	
.XXX: ±0.10		APVD	
CUSTOMER COPY		SCALE: 1:1	UNIT: MM
		SIZE: A4	SHEET: 1F1
			REV: A