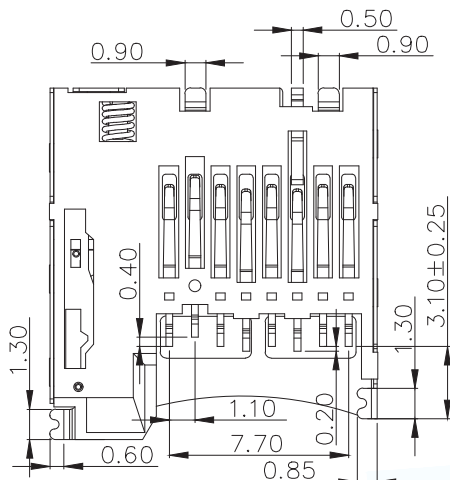


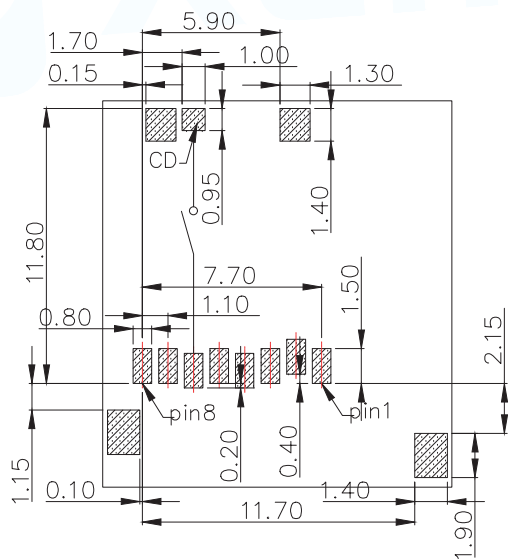
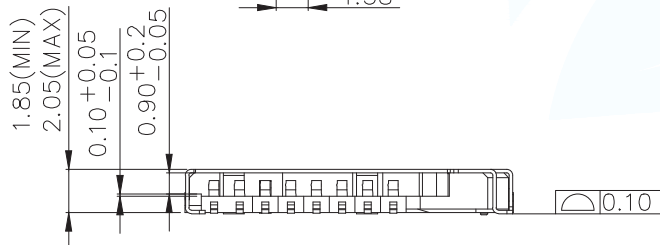
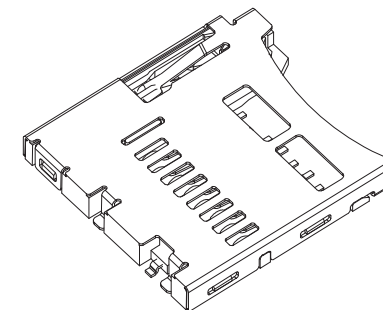
0.40±0.05

SECTION A-A



NOTES:

- 1.MATERIAL:
HOUSING: HIGH TEMPERATURE THERMOPLASTIC UL94V_0,COLOR:BLACK.
CONTACT: COPPER ALLOYS.
COVER: COPPER ALLOYS OR STEEL.
- 2.PLATING:
UNDERPLATE: NICKEL.
CONTACT AREA: GOLD OVER NICKEL.
SOLDER AREA: TIN OVER NICKEL.
- 3.MULTIMEDIA CARD COMPATIBLE

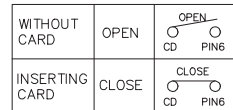


▨ PAD AREA

■ KEEP OUT AREA

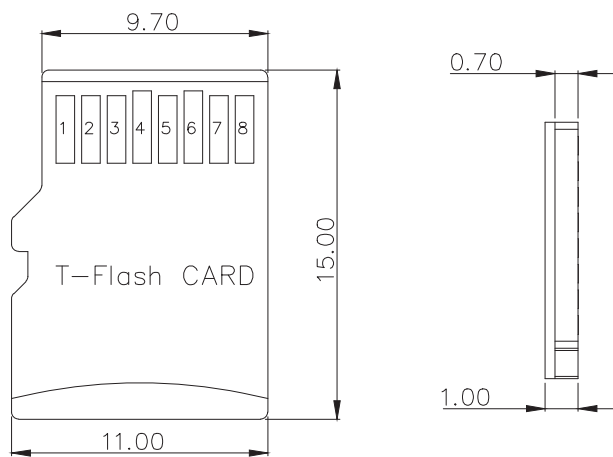
RECOMMENDED PCB LAYOUT
GENERAL TOLERANCE: ±0.05

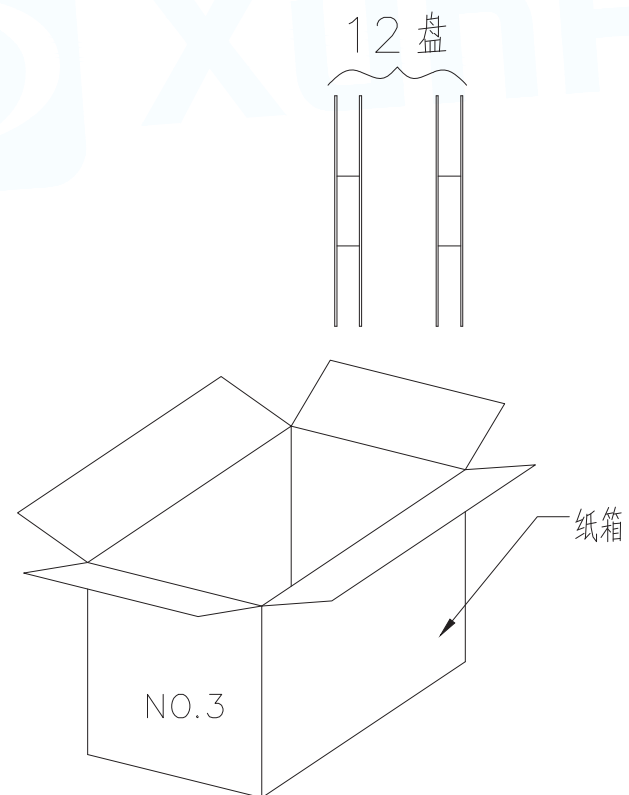
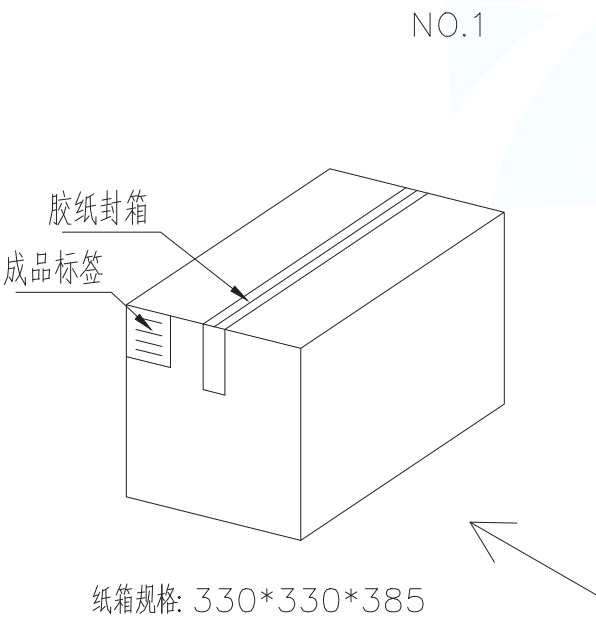
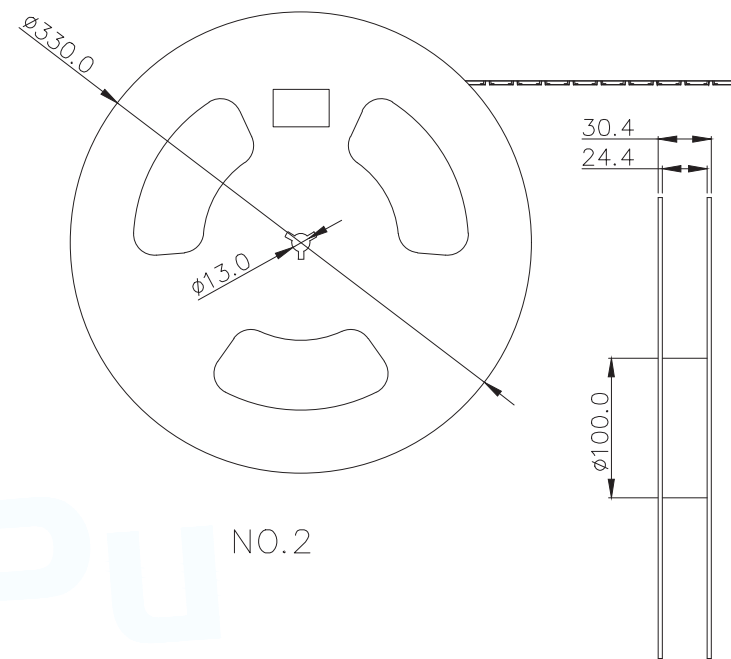
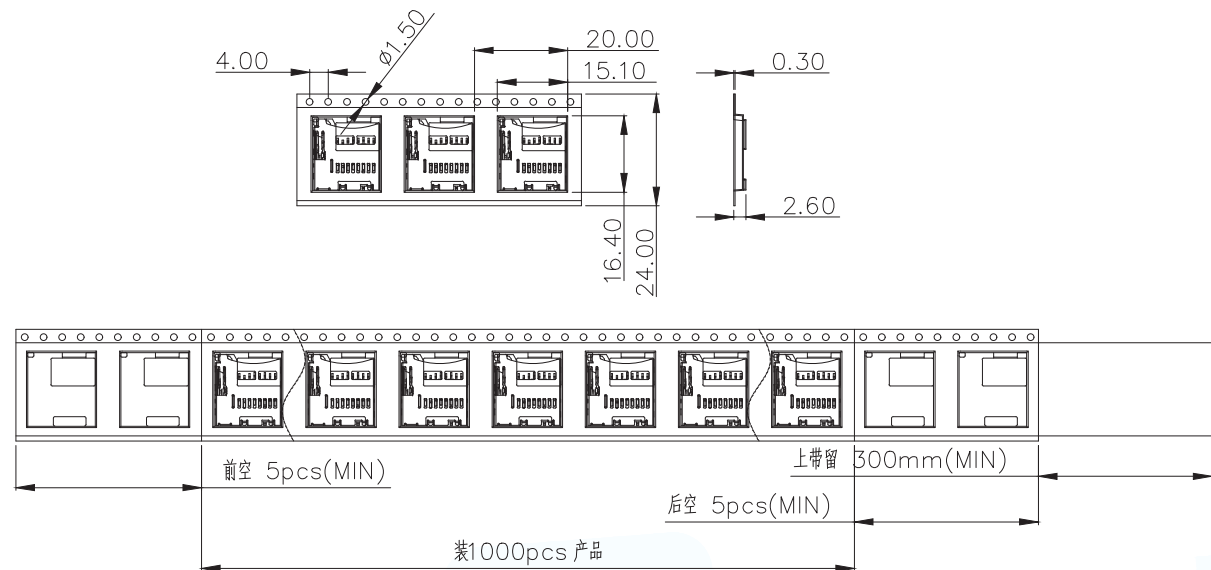
Circuit Diagram for Detect Switch



| TF CARD PIN DEFINE | | | |
|--------------------|---------|--------|----------------------------|
| PIN NO. | NAME | TYPE | DESCRIPTION |
| 1 | DAT2 | I/O/PP | DATE LINE(BIT2) |
| 2 | CD/DAT3 | I/O/PP | CARD DETECT DATE LIN(BIT3) |
| 3 | CMD | PP | COMMAND RESPONSE |
| 4 | VDD | S | SUPPLY VOLTAGE |
| 5 | CLX | I | CLOCK |
| 6 | VSS | S | SUPPLY VOLTAGE GROUND |
| 7 | DAT0 | I/O/PP | DATE LINE(BIT0) |
| 8 | DAT1 | I/O/PP | DATE LINE(DIT1) |

| | | | |
|---------------------------------------|------------|---|------------------------------------|
| MANUFACTURE DWG | | 东莞市讯普电子科技有限公司 DongGuan XunPu Electronics Co.,Ltd | |
| UNLESS OTHERWISE SPECIFIED TOLERANCES | | | TITLE: T-FLASH CARD PUSH C TYPE 内焊 |
| DECIMALS: | ANGLES: | | PAR TF-101A-P3 |
| X.X: ±0.35 | X.X': ±3° | | DWN |
| X.XX: ±0.25 | X.XX': ±2° | | CHKD |
| X.XXX: ±0.15 | | APVD | SCALE: 1:1 UNIT: MM |
| CUSTOMER COPY | | SIZE: A4 | SHEET: 1F1 REV: A |





1. 材质要求:
- 1.1 纸箱的材质为K=K; 外形尺寸为33*33*38.5CM;
 - 1.2 卷盘的材质为PS, 卷盘的外形尺寸为 $\phi 330*30.4$;
 - 1.3 卷带的材质为PS, 卷带的外形尺寸为20200*24.00*2.6mm
2. 包装要求:
- 2.1 将卷带放入包装机后, 前空5PCS, 后放产品1000PCS, 再后空5PCS; 上带留300MM长度。
 - 2.2 将包装好的产品从包装机上取下并包装好;
 - 2.3 把累叠好的12 盘放入纸箱中共计12Kset;
 - 2.4 把包装好的成品打包封箱, 并在纸箱外贴上标签

| | | | | |
|---------------------------------------|--|---|---|---|
| MANUFACTURE DWG | |  东莞市讯普电子科技有限公司 DongGuan XunPu Electronics Co.,Ltd | | |
| UNLESS OTHERWISE SPECIFIED TOLERANCES | |  | TITLE: T-FLASH CARD PUSH PUSH C TYPE 内焊 | |
| | | | PAR | TF-101A-P3 |
| DECIMALS: | | | DWN | |
| X.X: ±0.35 | | | CHKD | |
| X.XX: ±0.25 | | | APVD | |
| X.XXX: ±0.15 | | SCALE: 1:1 | UNIT: MM |  |
| | | CUSTOMER COPY | SIZE: A4 | SHEET: 1F1 |
| | | | | REV: A |