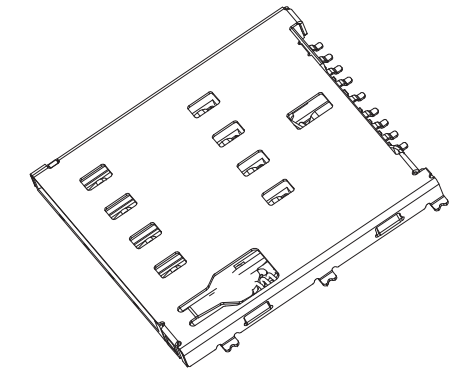
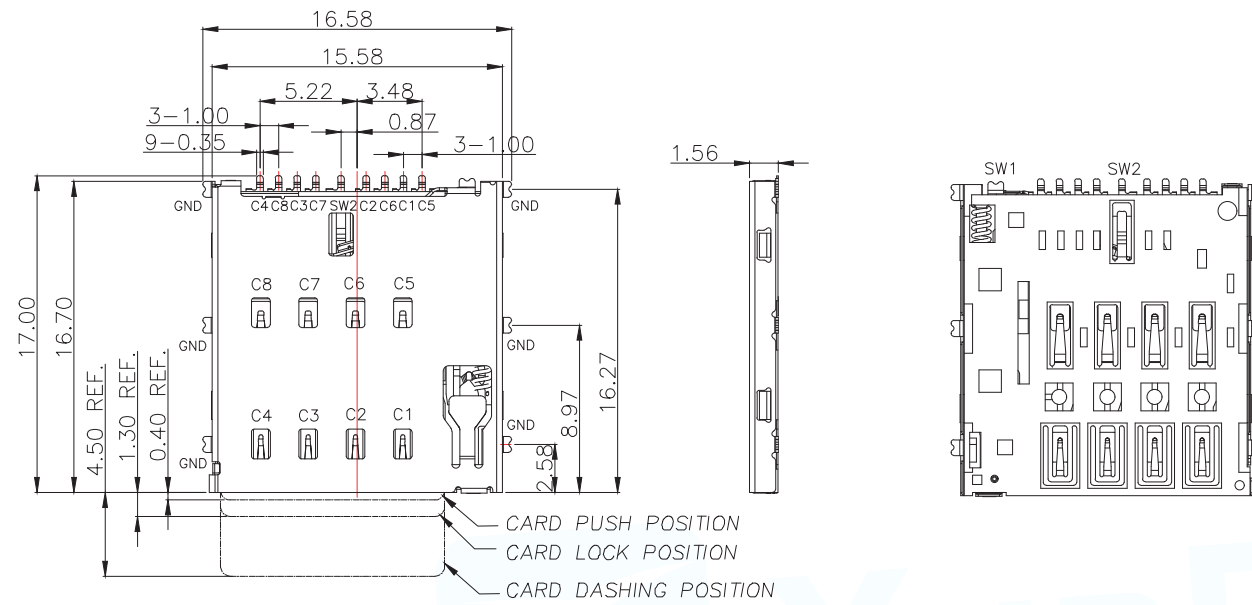
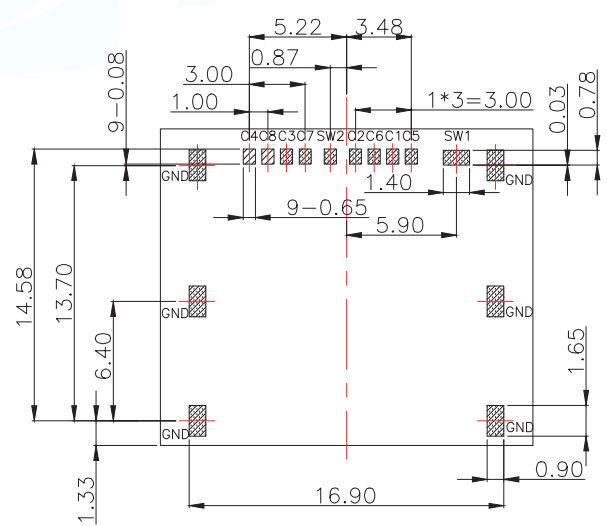
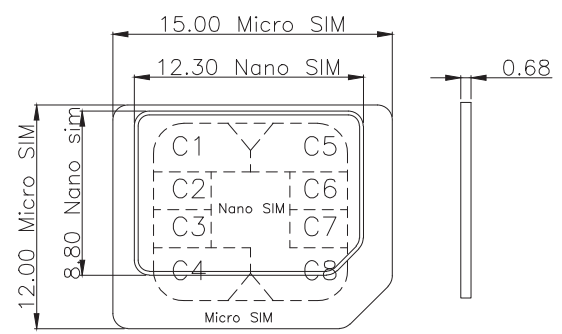
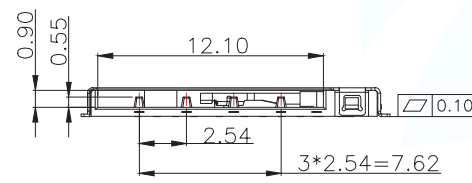


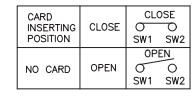
12	13	14	15
MAPX	MODIFICATION	DATE	APPROVE



- NOTES:
- MATERIAL:
 - Housing: High Temperature Thermoplastic UL94V-0; Color Black.
 - Terminal: Copper Alloy.
 - Shell: Stainless Steel.
 - SPECIALITY:
 - Rated current: 1.0A
 - Rated voltage: 50V
 - Contact Resistance: 100mΩ MAX
 - Insulation Resistance: 1000MΩ MIN 500V DC
 - Dielectric withstanding voltage: 500V AC.
 - Solder ability: 255±5%, 5±0.5s.
 - Durability: 5000 Cycles Min.
 - Operating condition: Temperature -40℃~+85℃; Humidity 80% R.H MAX



▨ PAD AREA
 ■ KEEP OUT AREA



RECOMMENDED PCB LAYOUT
 GENERAL TOLERANCE ±0.05

Card is not inserted; Sw2 and Sw1/GND pin is open
 Card is inserted; Sw2 and Sw1/GND pin is close

6	Housing	1PC	LCP UL94V-0	BLACK
5	LINK	1PC	SUS304	
4	SPRING	1PC	SWP-B	plating Ni: 30u"min
3	Slider	1PC	LCP UL94V-0	BLACK
2	COVER	1PC	SUS304	Slider plating Au: 1u", Ni: 30u"min
1	Terminal	1PC	C5210-EH, T=0.10	Contact Au: 1u", plating Au: 1u", Ni: 50u"min
NO	Description	Dosage	Material	Color/plating

MANUFACTURE DWG

UNLESS OTHERWISE SPECIFIED TOLERANCES

DECIMALS: .X: ±0.30, .XX: ±0.20, .XXX: ±0.10

ANGLES: X.: ±2'

CUSTOMER COPY

东 莞 市 讯 普 电 子 科 技 有 限 公 司
 DongGuan XunPu Electronics Co., Ltd

TITLE: MICRO SIM 1.56mm 8pin Switch

PAR: SMC-222-ARP9

DWN: []

CHKD: []

APVD: []

SCALE: 1:1

UNIT: MM

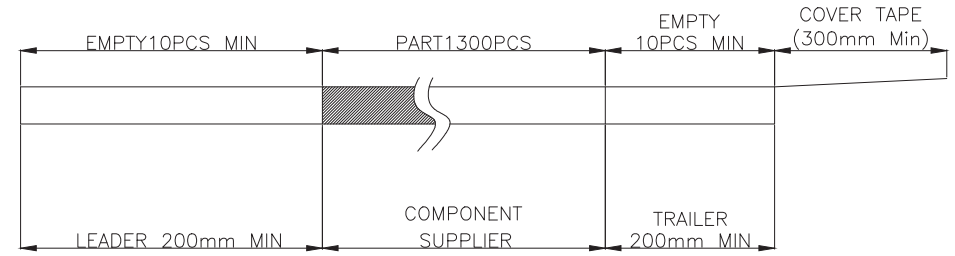
SIZE: A4

SHEET: 1F1

REV: A

NOTES

1. NUMBER OF CONNECTORS: 1300PCS/REEL
2. LEAD TAPE LENGTH

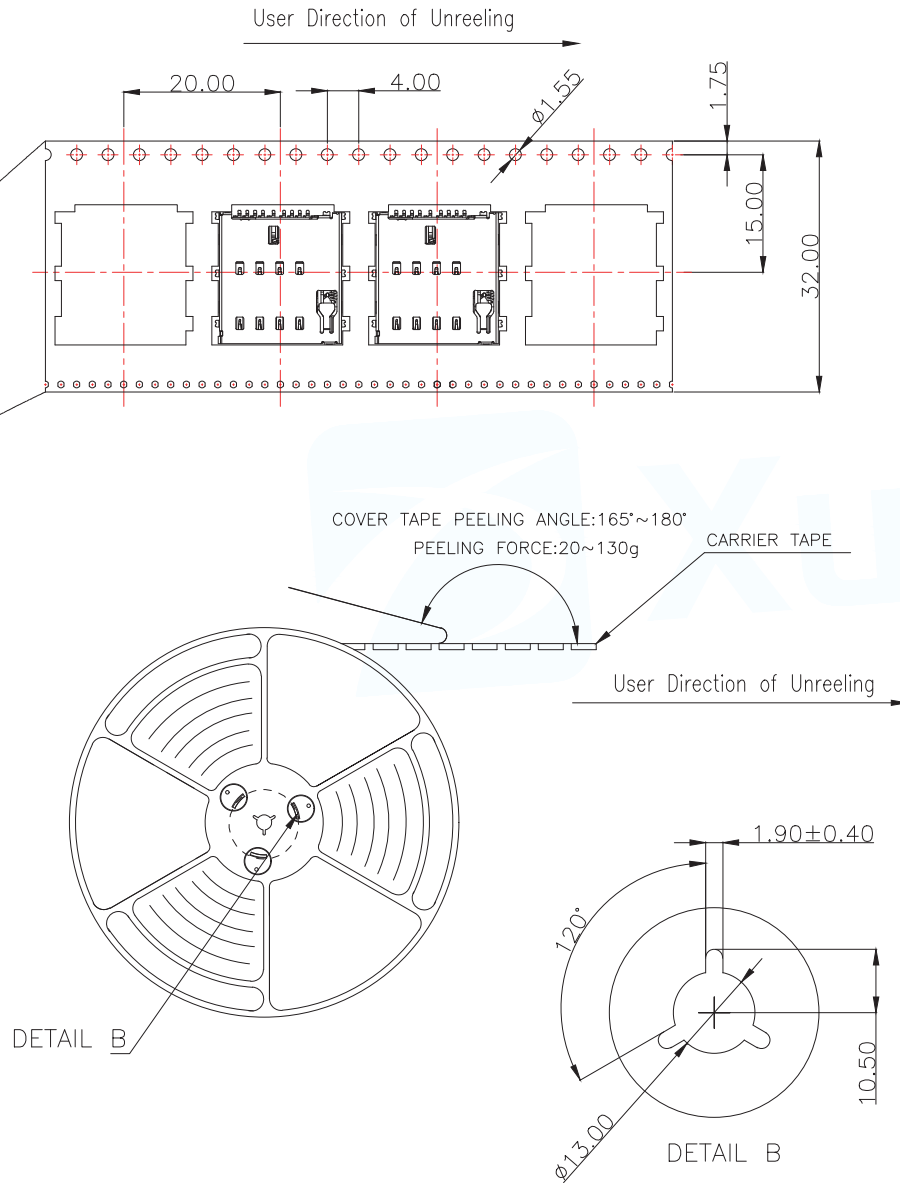
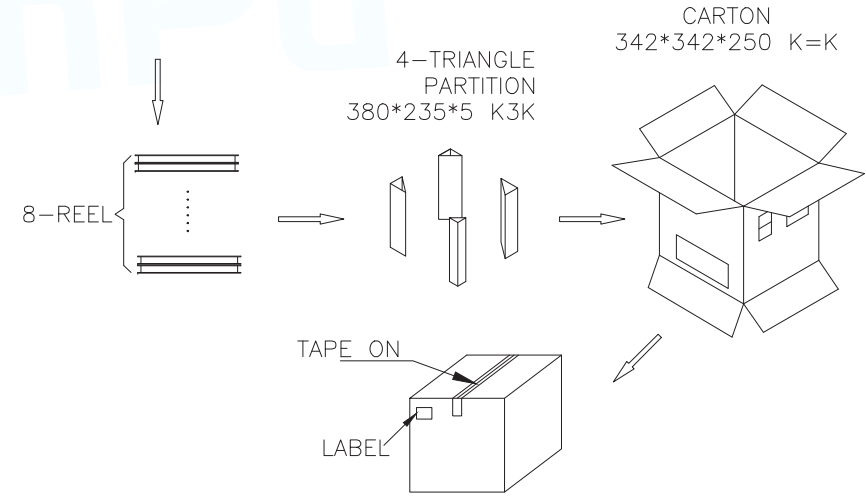


3. QUANTITY: 10400PCS/CARTON

4. WEIGHT :

4.1 NET WEIGHT : 7.98Kg

4.2 GROSS WEIGHT : 10.29Kg



MANUFACTURE DWG		 东莞市讯普电子科技有限公司 DongGuan XunPu Electronics Co., Ltd		
UNLESS OTHERWISE SPECIFIED TOLERANCES			TITLE: MICRO SIM 1.56mm 8pin Switch 封装	
DECIMALS:	ANGLES:		PAR SMC-222-ARP9	
.X: ±0.30	X.°: ±2'		DWN	
.XX: ±0.20			CHKD	
.XXX: ±0.10		APVD		
CUSTOMER COPY		SCALE 1:1	UNIT: MM	
		SIZE: A4	UNIT: MM	
		SHEET: 1F1	REV: A	