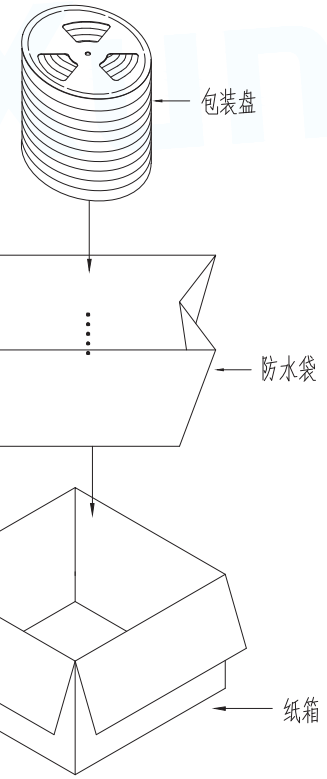
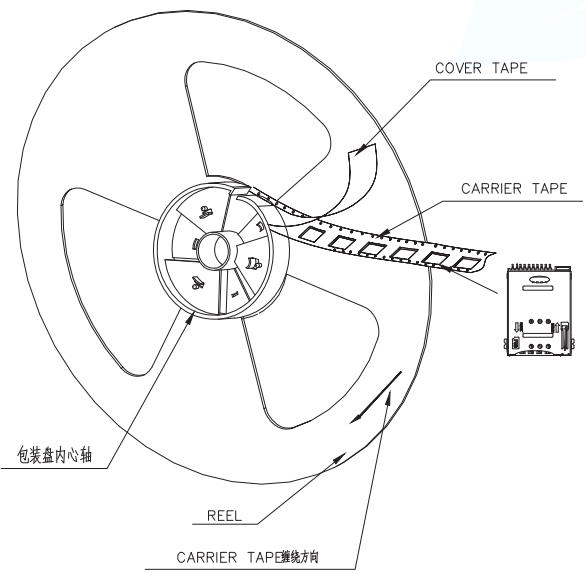
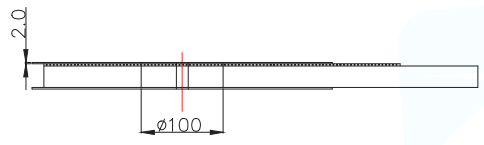
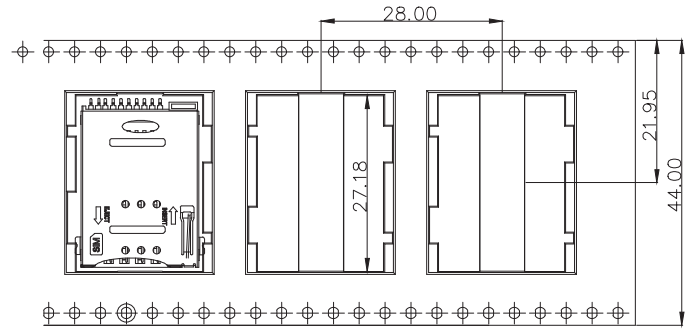


SPECIFICATION

MATERIAL:  
 INSULATOR: HIGH TEMPERATURE THERMOPLASTIC,  
 UL 94V-0.COLOR"BLACK LCP  
 CONTACT: COPPER ALLOY  
 PLATING:  
 CONTACT: PLATED 30U" NI OVERALL  
 PLATED AU SELECTIVE CONTACT AREA  
 SHELL: PLATED 30U" NI OVERALL,PAD G/F AU  
 ELECTRICAL:  
 CURRENT RATING: 0.5AMPS  
 VOLTAGE RATING: 5V AC/DC  
 AMBIENT TEMPERATURE RANGE: -20°C~+60°C  
 STORAGE TEMPERATURE RANGE: -40°C~+80°C  
 AMBIENT HUMIDITY RANGE: 95% R.H. MAX.  
 CONTACT RESISTANCE: 100MΩMAX.  
 INSULATION RESISTANCE: 1000MΩMIN./500VDC  
 MATING CYCLES: 5,000 INSERTIONS  
 REFLOW PEAK TEMP: 260°C

MINI SIM CARD	
Pin No.	NAME
C1	VCC OF SIM
C2	RST OF SIM
C3	CLK OF SIM
C5	GND OF SIM
C6	VPP OF SIM
C7	I/O OF SIM
C4/C8	N/A
SW1	DETECTION SWITCH1
SW2	DETECTION SWITCH2

MANUFACTURE DWG		东莞市讯普电子科技有限公司 DongGuan XunPu Electronics Co.,Ltd	
UNLESS OTHERWISE SPECIFIED TOLERANCES			TITLE: MINI SIM CARD PUSH PUSH 8+2P SMT无柱
DECIMALS:	ANGLES: ±1°		PAR SIM-118
X.X: ±0.25			DWN
X.XX: ±0.10			CHKD
X.XXX: ±0.05		APVD	SCALE1:1 UNIT: MM
CUSTOMER COPY		SIZE: A4	SHEET: 1F1 REV: A



- 一:
1. 将成品一一放入包装盘内, 依同一方向放入
  2. 包装时, 如图所示.
  3. 一个包装然放置700个成品
- 二:
1. 一只纸箱可放置3个或5个包装盘
  2. 一只纸箱可放2100PCS 或4200PCS 的成品
  3. 将成品放入包装盘内包装完后再装箱

- Note:  PULL OUT DIRECTION
1. 10 sprocket hole pitch cumulative tolerance  $\pm 0.2$
  2. Carrier camber is within 1 mm in 250mm.
  3. Material: Black Conductive Polystyrene Alloy 100
  4. All dimensions meet EIA-481-B requirements.
  5. Thickness:  $0.3 \pm 0.05$ mm.
  6. Component load per 13" reel: 700 pcs.
  7. A box of 3 volumes, 2100PCS
  8. 纸箱规格一: 345\*345\*165, 纸箱重为300g, (一箱装2100PCS)
  9. 纸箱规格二: 345\*345\*315, 纸箱重为500g, (一箱装4200PCS)
  10. 重量: 每盘700PCS重1470g, 每Pcs重1.3g/Pcs

MANUFACTURE DWG		东莞市讯普电子科技有限公司 DongGuan XunPu Electronics Co., Ltd	
UNLESS OTHERWISE SPECIFIED TOLERANCES			TITLE: MINI SIM CARD PUSH PUSH 8+2P SMT无柱 包装图
			PAR SIM-118
			DWN
			CHKD
DECIMALS:	ANGLES: $\pm 1^\circ$	APVD	
X.X: $\pm 0.25$		SCALE: 1:1	UNIT: MM
X.XX: $\pm 0.10$		SIZE: A4	UNIT: MM
X.XXX: $\pm 0.05$		SHEET: 1F1	REV: A