

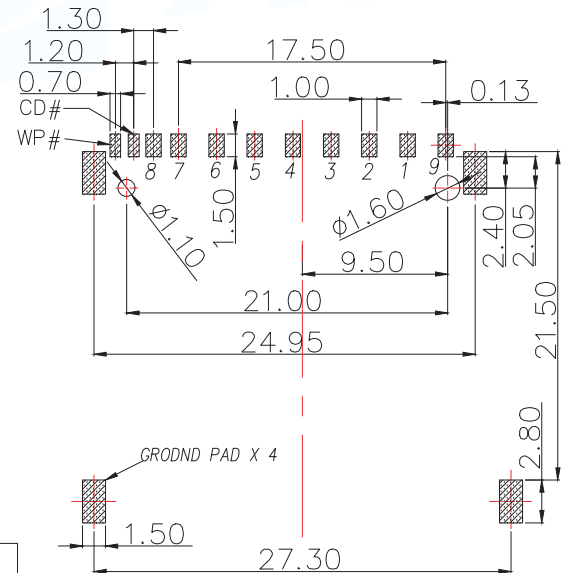
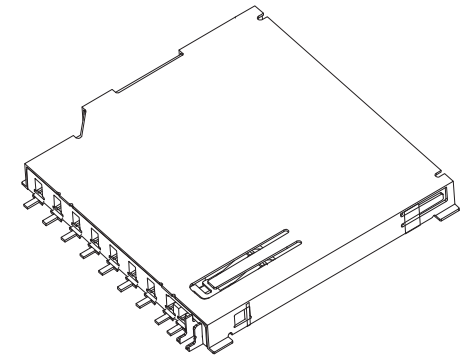
SPECIFICATIONS:

1.MECHANICAL:
 CARD PUSH INSERTION/OUT FORCE: 1.0~4.0KG
 DURABILITY: 5000 CYCLES

2.ELECTRICAL:
 CURRENT RATING: 0.5A
 WITHSTANDING VOLTAGE: 500V AC R.M.S.
 CONTACT RESISTANCE: 100M MAX.
 INSULATION RESISTANCE: 100M MIN.

3.ENVIRONMENTAL
 TEMPERATURE RANGE: -40°C ~ +85°C

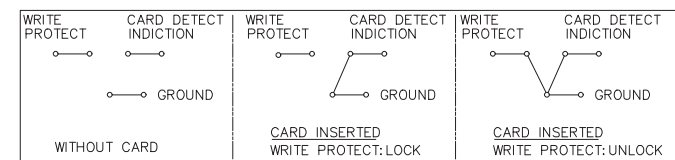
SD CARD PIN DEFINE			
Pin#	Name	Type	Description
1	CD/DAT3	I/O/PP	Card Detect/Date Line [Bit3]
2	CMD	PP	Command/Response
3	Vss1	S	Supply voltage ground
4	VDD	S	Supply voltage
5	CLK	I	Clock
6	Vss2	S	Supply voltage ground
7	DAT0	I/O/PP	Date Line [Bit0]
8	DAT1	I/O/PP	Date Line [Bit1]
9	DAT2	I/O/PP	Date Line [Bit2]
10	CD		CARD DETECT
11	WP		WRITE PROTECT



▨ PAD AREA
 ■ KEEP OUT AREA

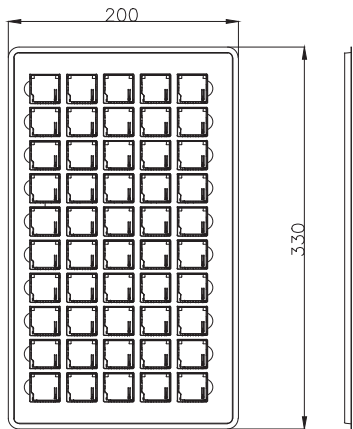
RECOMMENDED PCB LAYOUT
 GENERAL TOLERANCE ±0.05

CIRCUIT:

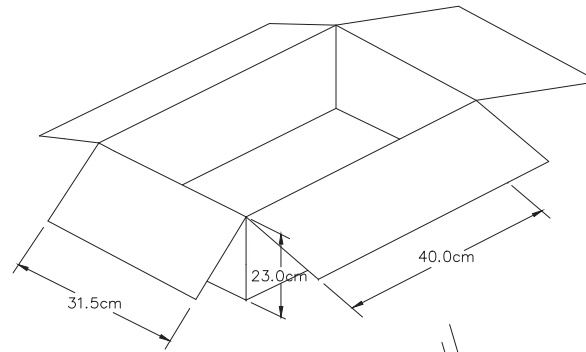
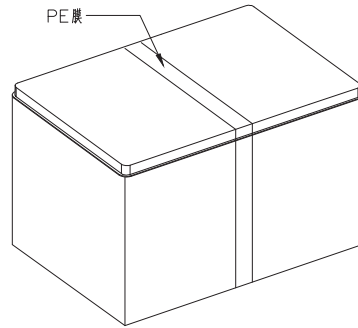


C	SHIELD	1	COPPER ALLOY 0.20t	Ni PLATING
B	CONTACT	11	COPPER ALLOY 0.20t	Gold Flash On Contact Area Matte-Tin plated on Solder tail All over Nickel Plated .
A	HOUSING	1	THERMOPLASTIC UL94-V0	WHITE
NO	DESCRIPTION	QTY	MATERIAL	PLATING & COLOR
MANUFACTURE DWG		东莞市讯普电子科技有限公司 DongGuan XunPu Electronics Co.,Ltd		
UNLESS OTHERWISE SPECIFIED TOLERANCES		TITLE: SD CARD CONN PUSH LONG BODY SMT		
DECIMALS:		PAR SD-102		
ANGLES:		DWN		
X.: ±0.50		CHKD		
X.X: ±0.30		APVD		
X.XX: ±0.20		SCALE:1:1 UNIT: MM		
		SIZE: A4 SHEET: 1F1		
		CUSTOMER COPY REV: A		



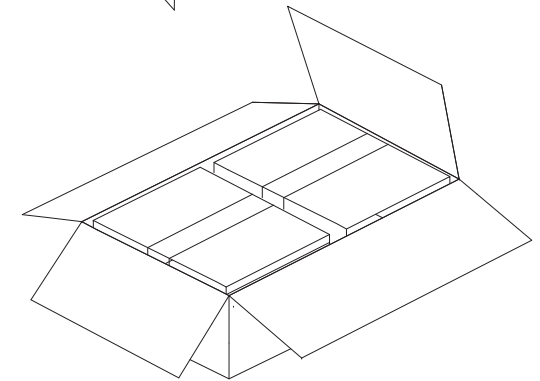
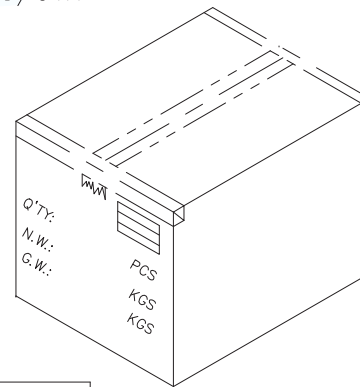


② TRAY
 SPEC: 20.0cm*33.0cm
 QUANTITY: 5X10=50PCS/TRAY



① : CARTON
 SPEC: 34.0cm*21.0cm*43.5cm
 QUANTITY: 50X20X5=5000PCS/CARTON

NOTE :
 Q'TY : 5000PCS/CTN
 N.W. : 10.0 Kg
 G.W. : 12.0 Kg



PACKING INFORMATION

PART NAME	SD-102-ACP11
QUANTITY OF PER TRAY	50PCS/TRAY
QUANTITY OF PER CARTON	50*100=5000PCS/CARTON
WEIGHT OF PER CARTON (NET WEIGHT)	10.0Kg
GROSS WEIGHT	12.0Kg
SIZE	34.0cm*21.0cm*43.5cm

② TRAY	PVC	100			
① CARTON	K=K	1			
ITEM	DESCRIPTIONs	MATERIAL	FINISH	Q'TY	NOTE
MANUFACTURE DWG		东莞市讯普电子科技有限公司 DongGuan XunPu Electronics Co.,Ltd			
UNLESS OTHERWISE SPECIFIED TOLERANCES		TITLE: SD CARD CONN PUSH LONG BODY SMT 磁 PAR SD-102 DWN CHKD APVD SCALE:1:1 UNIT: MM SIZE: A4 SHEET: 1F1 REV: A			
DECIMALS:	ANGLES:				
X.: ±0.50	X.: ±2°				
X.X: ±0.30	X.X': ±1°				
X.XX: ±0.20					
CUSTOMER COPY					