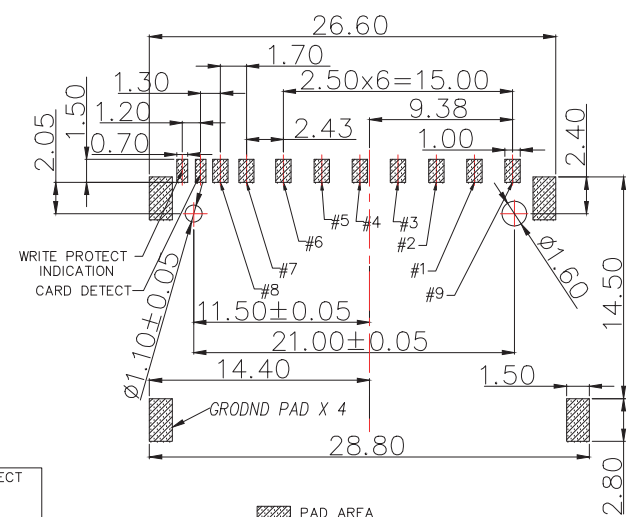
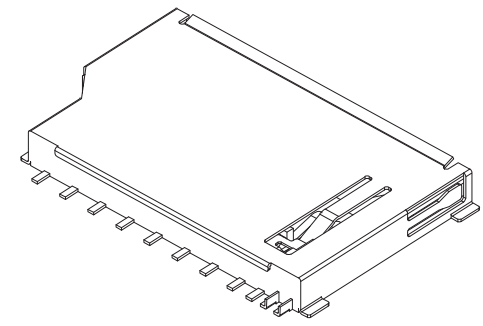


SPECIFICATIONS:  
 1.MECHANICAL:  
 CARD PUSH INSERTION/OUT FORCE: 1.0~4.0KG  
 DURABILITY: 5000 CYCLES  
 2.ELECTRICAL:  
 CURRENT RATING: 0.5A  
 WITHSTANDING VOLTAGE: 500V AC R.M.S.  
 CONTACT RESISTANCE: 100M MAX.  
 INSULATION RESISTANCE: 100M MIN.  
 3.ENVIRONMENTAL  
 TEMPERATURE RANGE -40°C ~ +85°C

SD CARD PIN DEFINE			
Pin#	Name	Type	Description
1	CD/DAT3	I/O/PP	Card Detect/ Date Line [Bit3]
2	CMD	PP	Command/Response
3	Vss1	S	Supply voltage ground
4	VDD	S	Supply voltage
5	CLK	I	Clock
6	Vss2	S	Supply voltage ground
7	DAT0	I/O/PP	Date Line [Bit0]
8	DAT1	I/O/PP	Date Line [Bit1]
9	DAT2	I/O/PP	Date Line [Bit2]
10	CD		CARD DETECT
11	WP		WRITE PROTECT

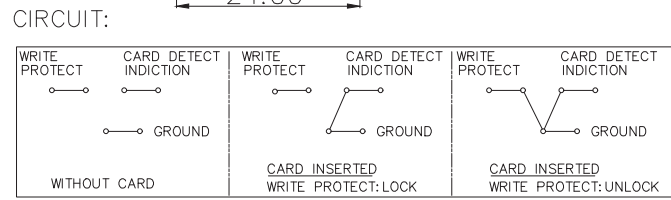


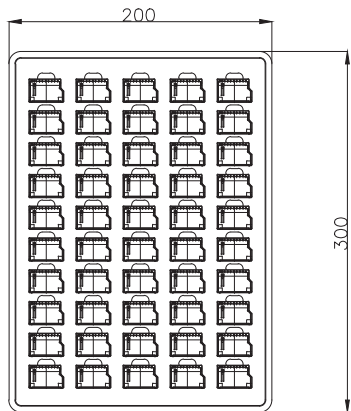
RECOMMENDED PCB LAYOUT  
 GENERAL TOLERANCE ±0.05

C	SHIELD	1	STAINLESS STEEL 0.20t	Ni PLATING
B	CONTACT	11	COPPER ALLOY 0.20t	Gold Flash On Contact Area Matte-Tin plated on Solder tail All over Nickel Plated .
A	HOUSING	1	THERMOPLASTIC UL94-V0	WHITE
NO	DESCRIPTION	QTY	MATERIAL	PLATING & COLOR

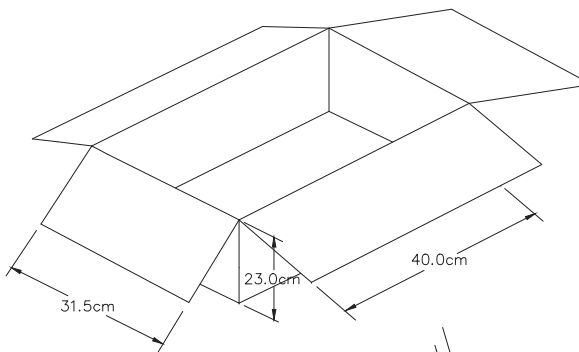
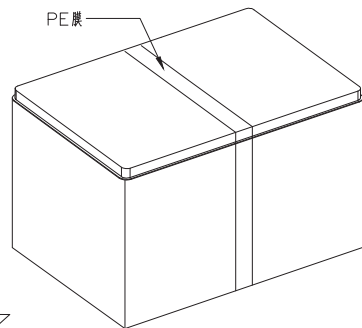
MANUFACTURE DWG 东莞市讯普电子科技有限公司  
 DongGuan XunPu Electronics Co.,Ltd

UNLESS OTHERWISE SPECIFIED TOLERANCES			TITLE: SD CARD CONN PUSH SHORT BODY SMT	
DECIMALS:	ANGLES:		PAR	SD-101
X.: ±0.50	X.: ±2°		DWN	
X.X: ±0.30	X.X': ±1°		CHKD	
X.XX: ±0.20		APVD		
CUSTOMER COPY		SCALE: 1:1	UNIT: MM	
		SIZE: A4	SHEET: 1F1	
			REV: A	



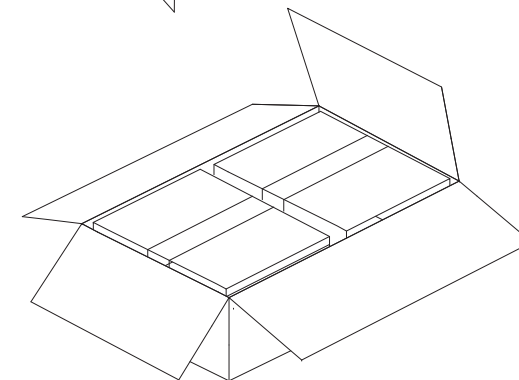
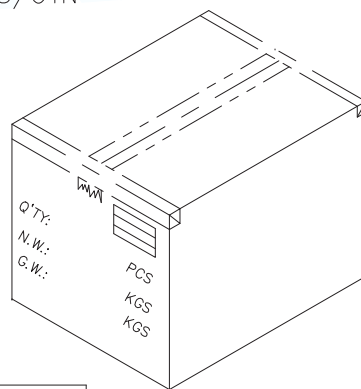


② TRAY  
 SPEC: 20.0cm\*33.0cm  
 QUANTITY: 5X10=50PCS/TRAY



① : CARTON  
 SPEC: 40.0cm\*31.5cm\*23.0cm  
 QUANTITY: 50X20X5=5000PCS/CARTON

NOTE :  
 Q'TY : 5000PCS/CTN  
 N.W. : 6.20 Kg  
 G.W. : 9.50 Kg



PACKING INFORMATION

PART NAME	SD-101-ACP11
QUANTITY OF PER TRAY	50PCS/TRAY
QUANTITY OF PER CARTON	50*100=5000PCS/CARTON
WEIGHT OF PER CARTON (NET WEIGHT)	6.20Kg
GROSS WEIGHT	9.50Kg
SIZE	40.0cm*31.5cm*23.0cm

② TRAY	PVC	100			
① CARTON	K=K	1			
ITEM	DESCRIPTIONs	MATERIAL	FINISH	Q'TY	NOTE
MANUFACTURE DWG		东莞市讯普电子科技有限公司 DongGuan XunPu Electronics Co.,Ltd			
UNLESS OTHERWISE SPECIFIED TOLERANCES		TITLE: SD CARD CONN PUSH SHORT BODY SMT 封装 PAR SD-101 DWN CHKD APVD			
DECIMALS:	ANGLES:				
X.: ±0.50	X.: ±2°				
X.X: ±0.30	X.X: ±1°				
X.XX: ±0.20					
CUSTOMER COPY		SCALE: 1:1	UNIT: MM	SIZE: A4	SHEET: 1F1
					REV: A