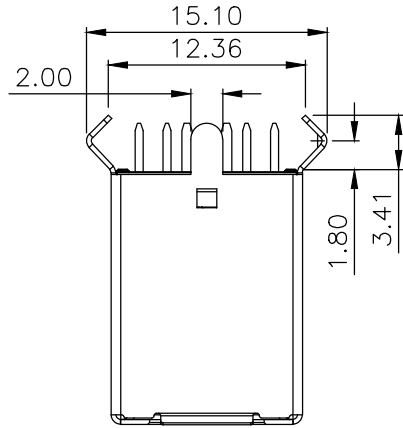
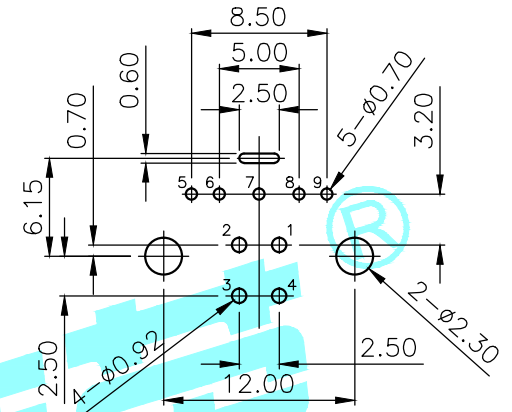


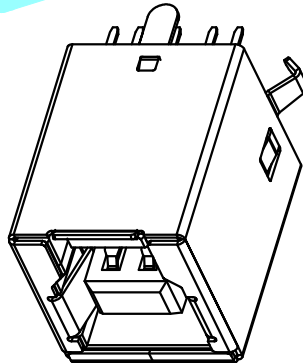
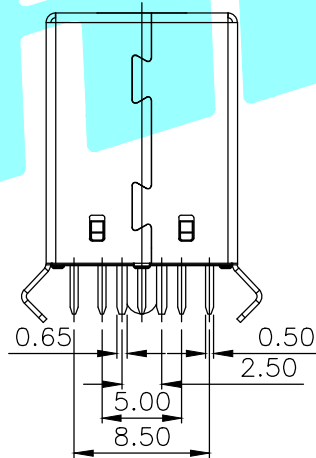
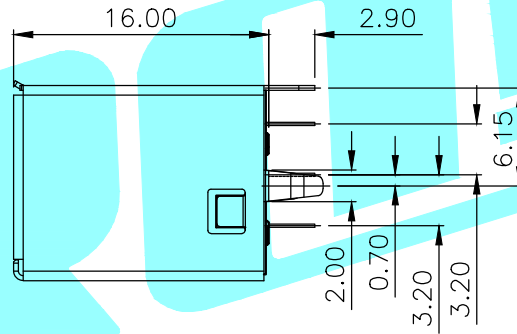
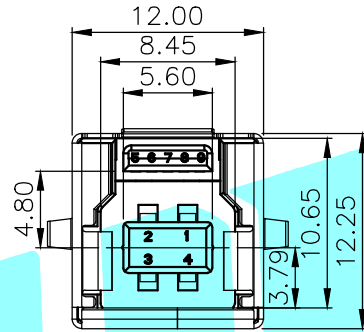
ROHS



Pin NUMBER	SIGNAL NAME
1	VBUS
2	D-
3	D+
4	GND
5	StdB_SSTX-
6	StdB_SSTX+
7	GND_DRAIN
8	StdB_SSRX-
9	StdB_SSRX+
Shell	Shield



RECOMMEND P.C.B LAYOUT COMPONENT SIDE
 DEFAUET TOLERANCES:±0.05 (PCB T=1.6mm)



NOTES:

- MATERIAL:
 - HOUSING: HIGH TEMPERATURE THERAL PLASTIC.
 - COVER:HIGH TEMPERATURE THERAL PLASTIC.
 - SPRING CONTACT: COPPER ALLOY.
 - FLAT CONTACT;COPPER ALLOY
 - SHELL :COPPER ALLOY.
- FINISH:
 - CONTACT: (SEE P/N.),[50μ"] MIN. NICKEL UNDERPLATING OVER ALL.
 - SHELL: [50μ"] MIN.SOLDERABLITY NICKEL UNDERPLATING OVER ALL.

APPROVALS		DATE	HRO 韓泰 ELECTRONICS CO.,LTD		
DRAWN	LIUCAN	2021.2.26	TITLE:	USB CONNECTOR	
CHECKED			PART NO.	U-B-M9DD-W-2	
APPROVALS			TOLERANCES ARE	ANGLE	UNIT: mm SCALE: 1:1 PROJ:
			30~以上 ±0.30	±2°	DRAWING NO. SHEET 1 OF 1
			10~30 ±0.25		
			5~10 ±0.20		
			~ 5 ±0.15		

ECN NO.	REV.	DATE.	DESCRIPTION.	CHANGE.	CHECK.	APPRO.
	A		NEW			