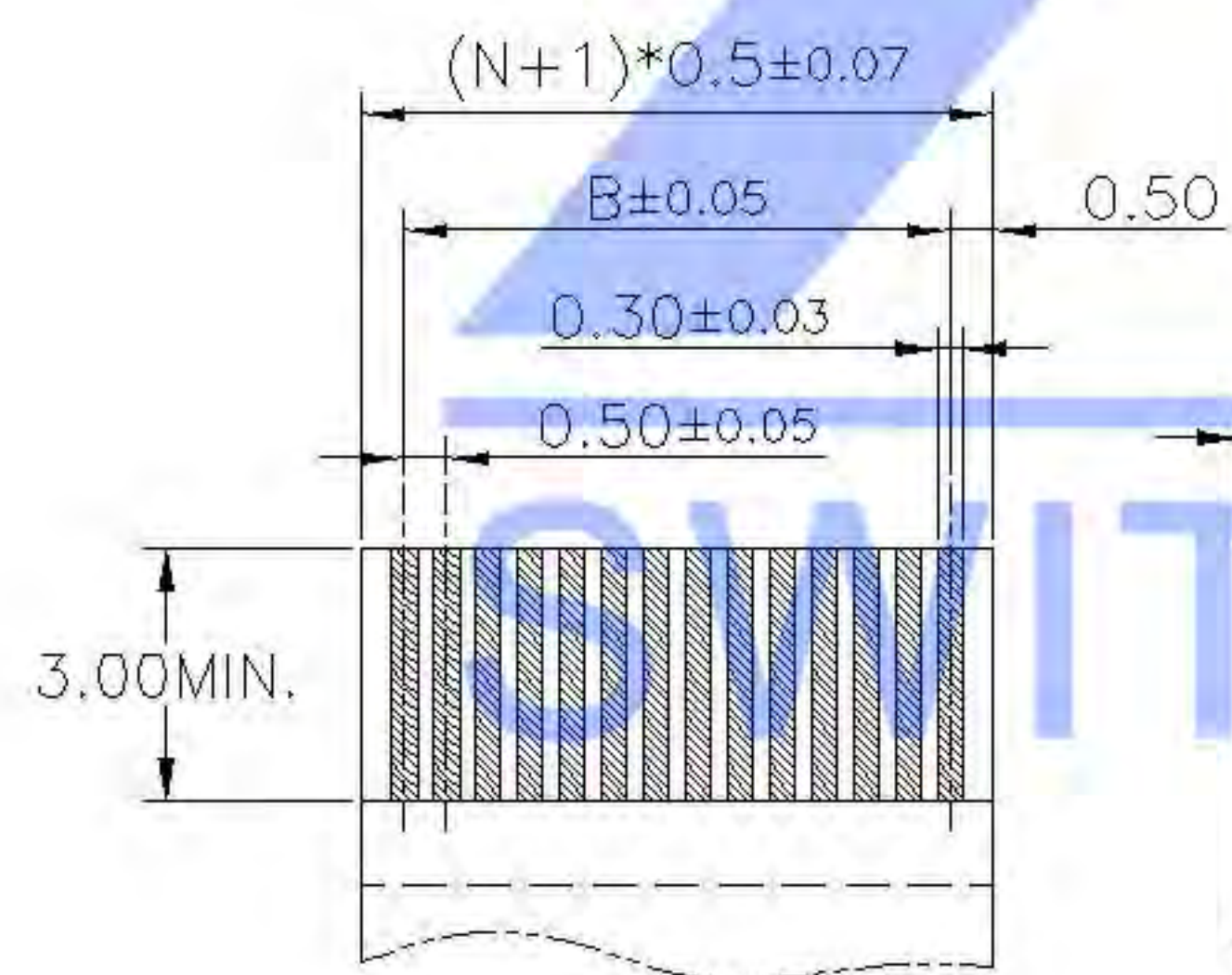
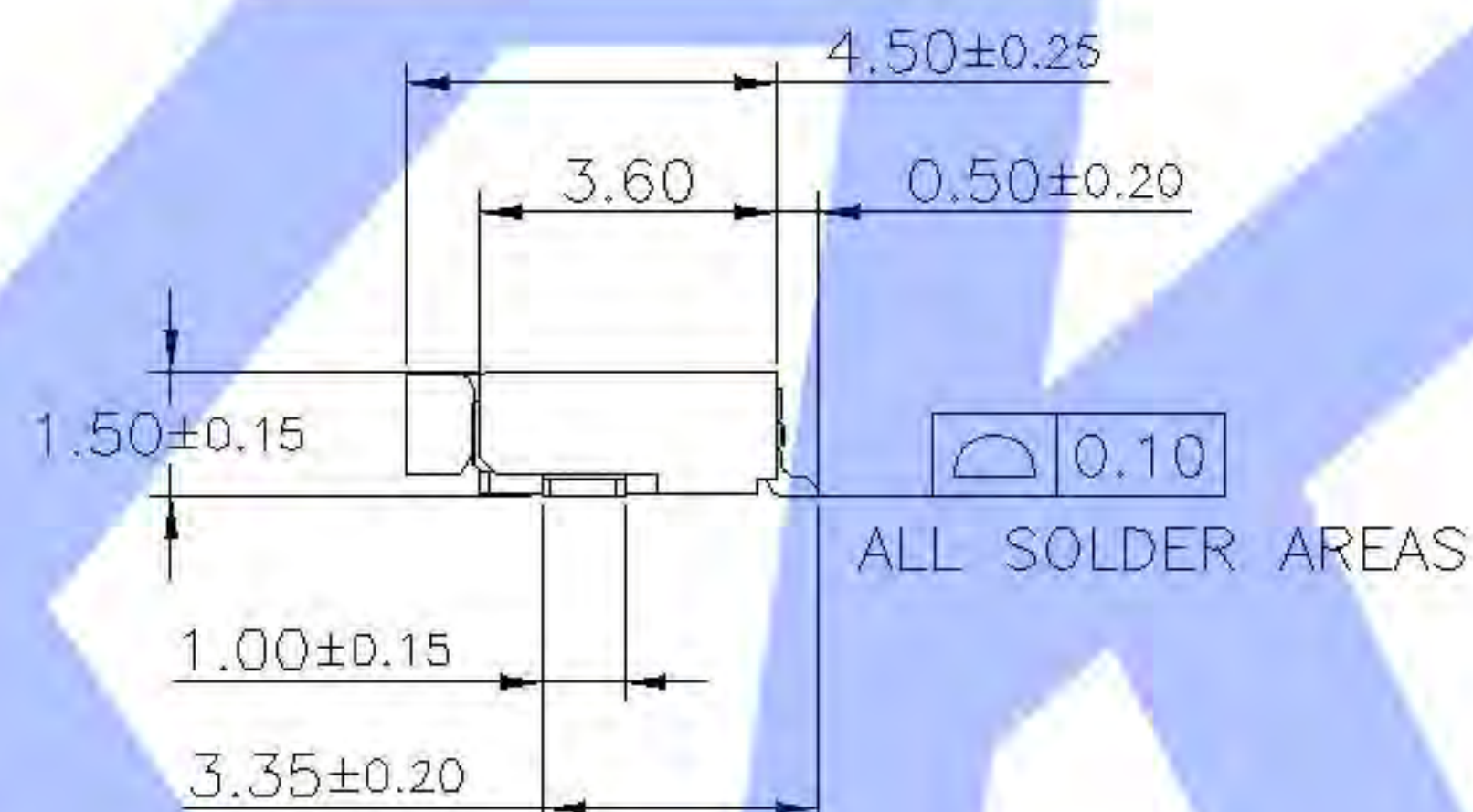
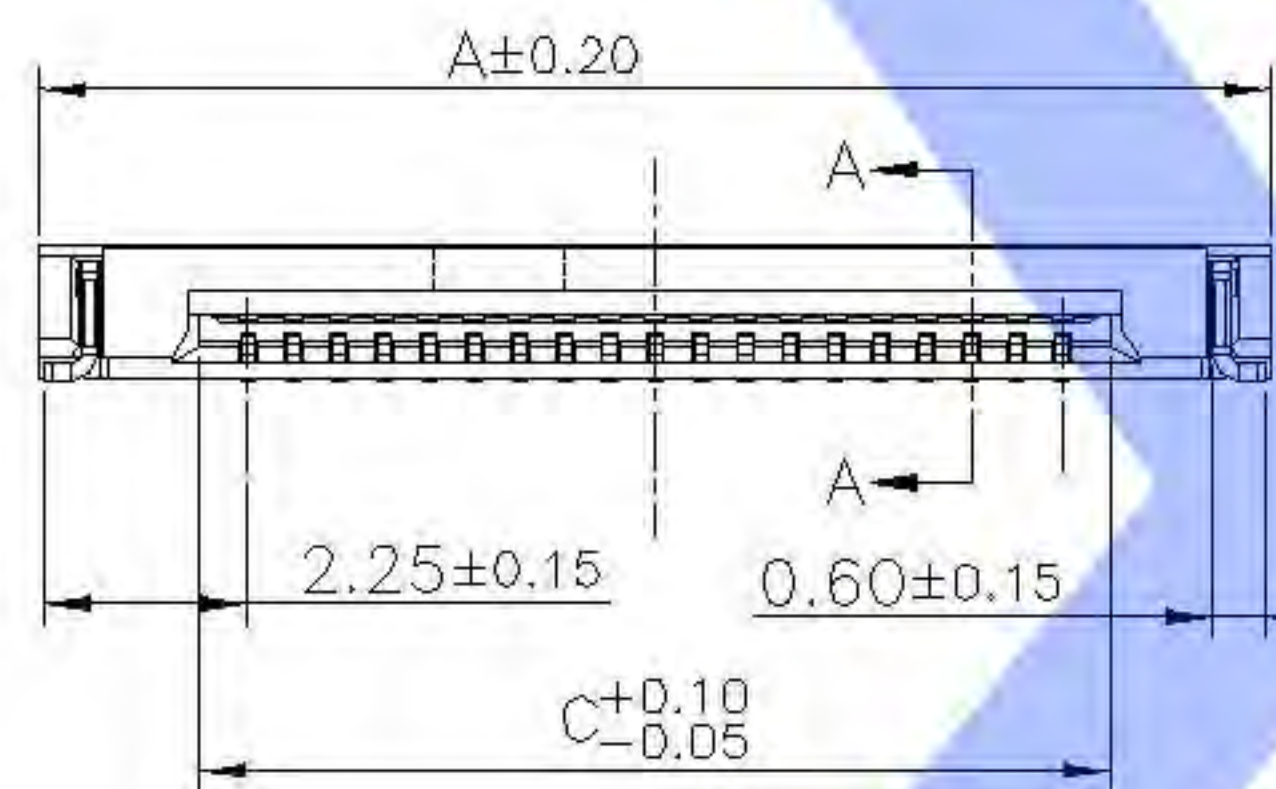
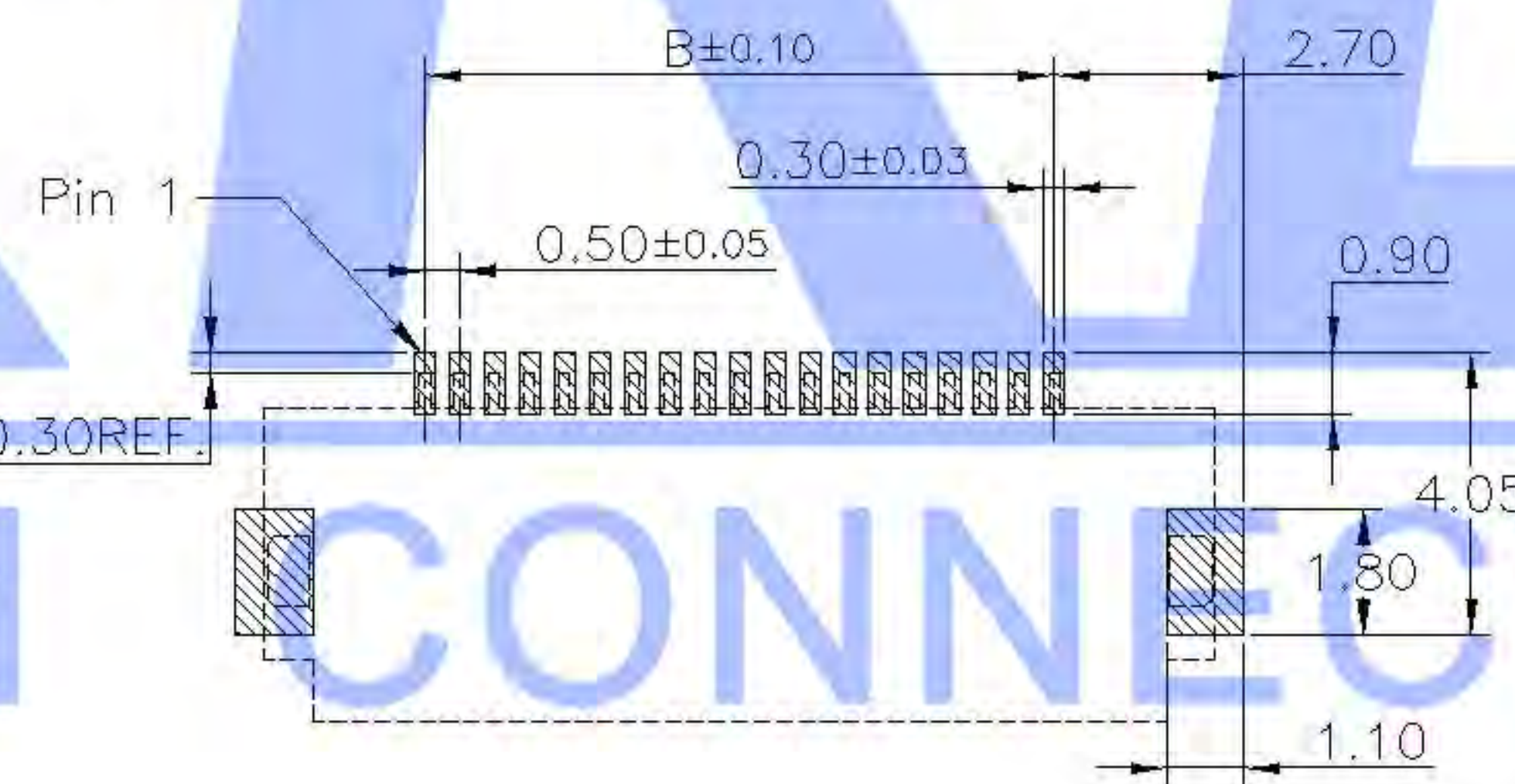


SECTION A-A



APPLICABLE FFC
TOLERANCE: ±0.05



RECOMMEND PCB LAYOUT
TOLERANCE: ±0.05

NOTES:

1. MATERIAL:
HOUSING: HIGHT-TEMP PLASTIC,UL 94-V0,COLOR:NATURE;
COVER: HIGHT-TEMP PLASTIC,UL 94-V0,COLOR:BLACK;
CONTACT: COPPER ALLOY;
LEG: COPPER ALLOY;
2. PLATING:
CONTACT: GOLD OR TIN PLATED ON NICKEL OVERALL.
LEG: TIN PLATED ON NICKEL OVERALL.
3. RATING:
CURRENT RATING: 0.5A AC/DC
VOLTAGE RATING: 25V AC/DC
TEMPERATURE RANGE: -25°C~+85°C;
4. PART NO:

X05A15 L XX X

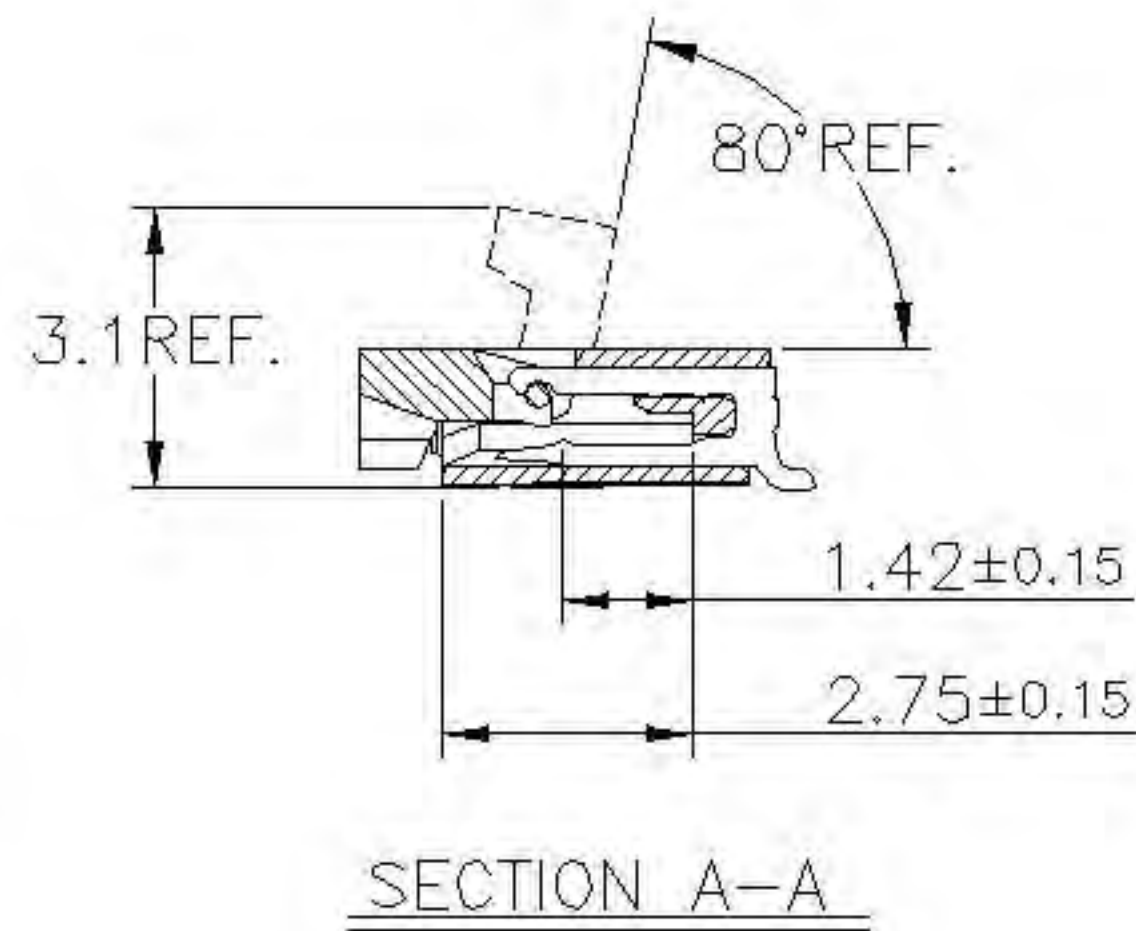
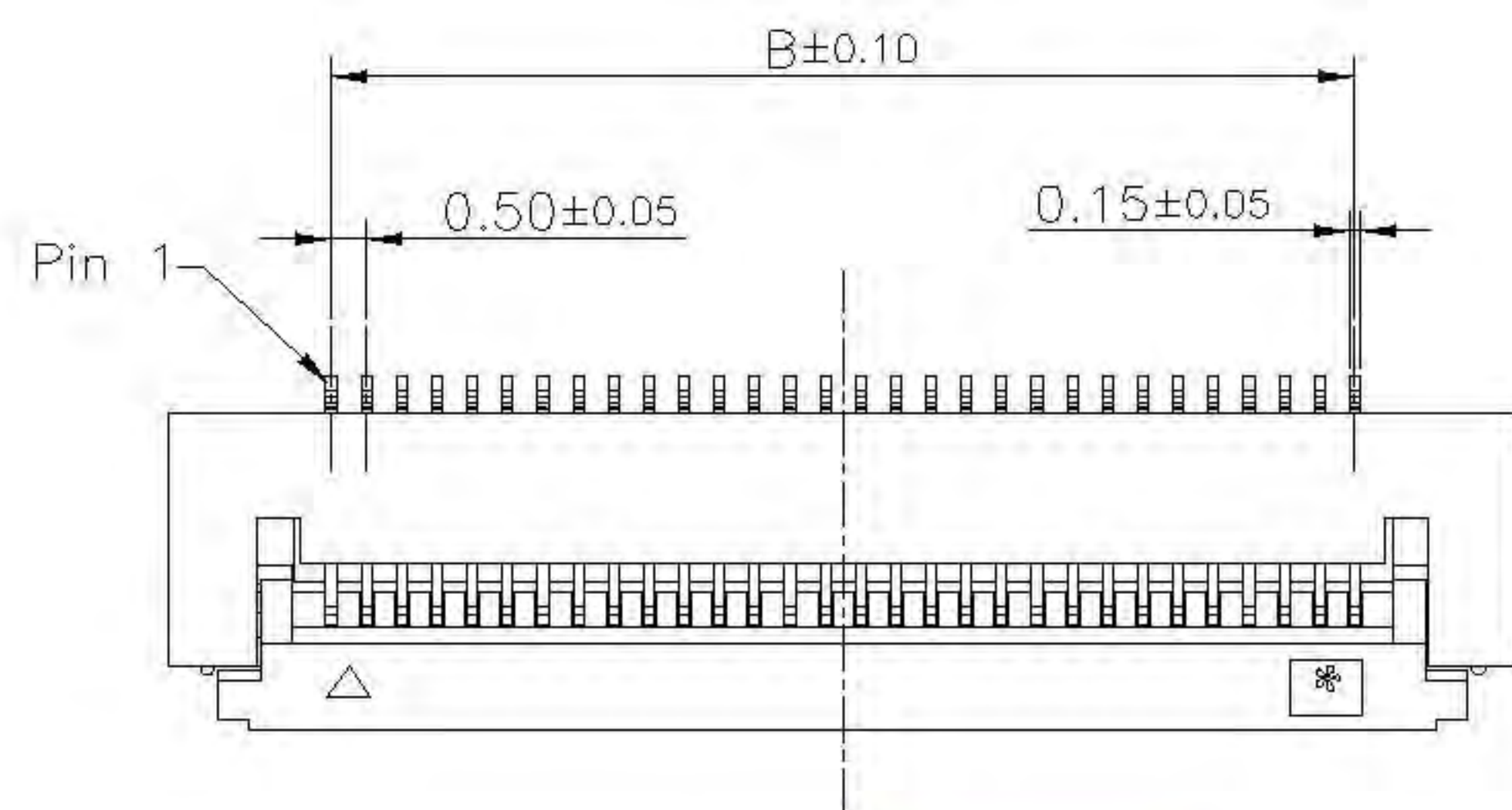
① ② ③ ④

- ① Series Name : X05A15=0.5 mm Pitch(H=1.5mm)
- ② Assembly style : L:Low Contact SMT Type U:Upper Contact SMT Type
D:Double-Face Contact SMT Type H:Back-flip Double-Face Contact SMT Type
- ③ Number of terminals :XX=04-60PIN
- ④ Plating : G:Gold Flash Over Nickel T:Tin Over Nickel

PIN NO.	DIM. A	DIM. B	DIM. C
14	11.10	6.50	7.57
15	11.60	7.00	8.07
16	12.10	7.50	8.57
17	12.60	8.00	9.07
18	13.10	8.50	9.57
19	13.60	9.00	10.07
20	14.10	9.50	10.57
21	14.60	10.00	11.07
22	15.10	10.50	11.57
23	15.60	11.00	12.07
24	16.10	11.50	12.57
25	16.60	12.00	13.07

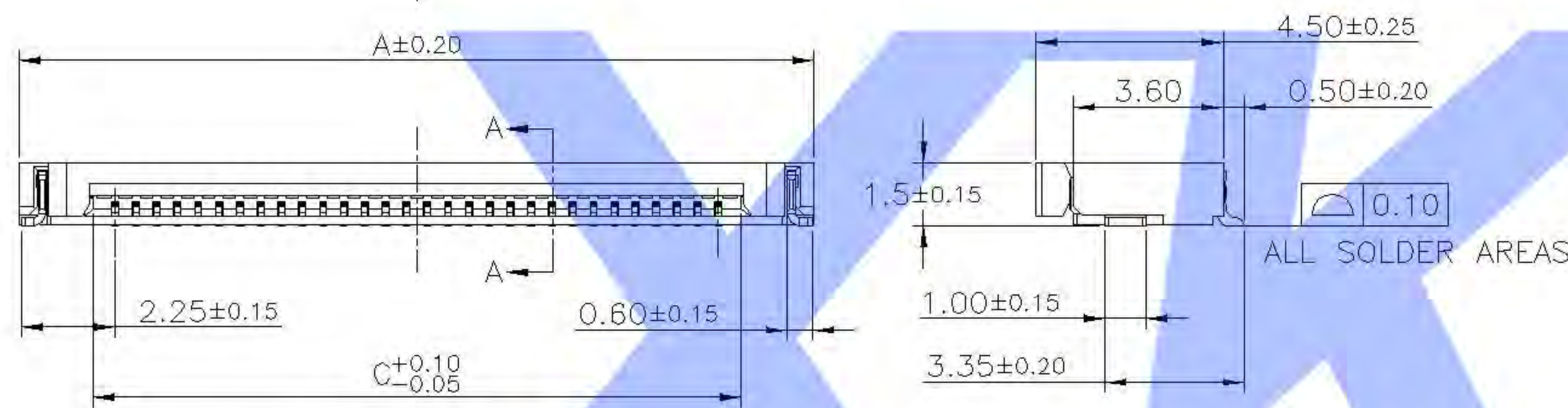
MARK	DESCRIPTION	DATE	REVISED	APPROVED	UNSPECIFIED TOLERANCES
ΔX					ANGLAR ±5°
ΔX					L ≤ 4 ±0.2
ΔX					4 < L ≤ 16 ±0.3
					16 < L ≤ 63 ±0.4
					L > 63 ±0.5

DSND	DATE	SCALE: N/A	MODEL TYPE: FPC CONNECTOR
DWN	DATE	VIEW:	PART NO.:
CHKD	DATE	UNIT: mm	DWG NO.:
APPD	DATE	SIZE: A4	X05A15LXXX
KXB INDUSTRIAL PRECISION CO.,LIMITED			WEIGHT 1.0g
			SHEET 1/1
			REVISION A0



NOTES:

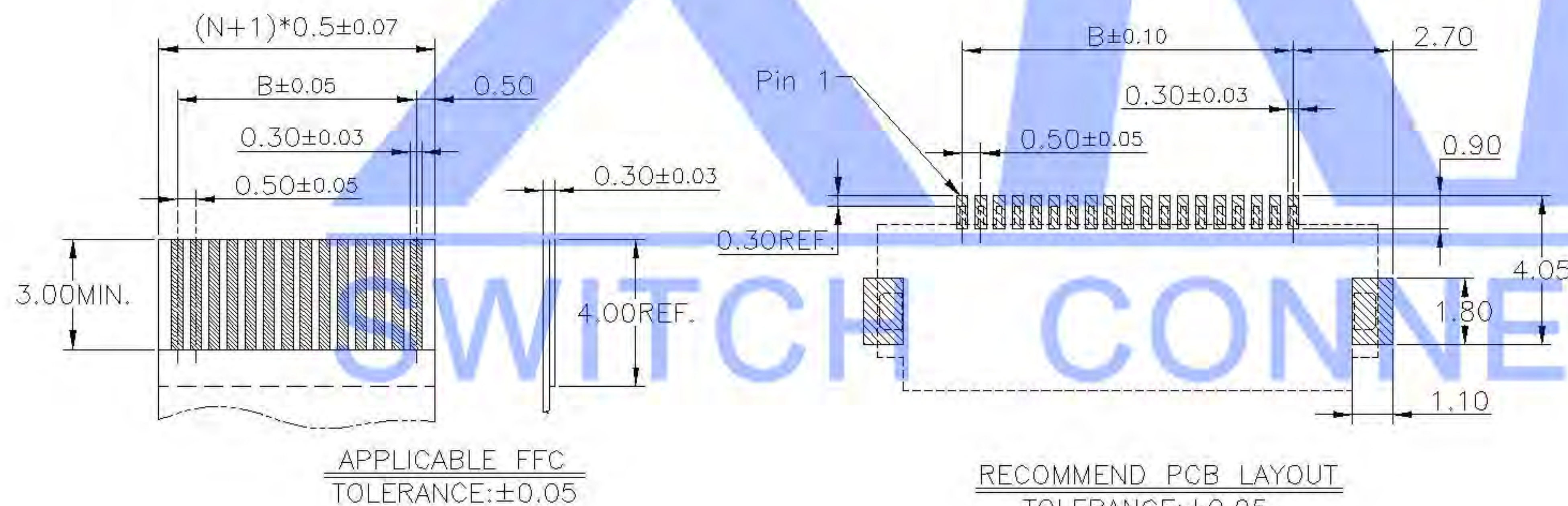
1. MATERIAL:
HOUSING: HIGHT-TEMP PLASTIC,UL 94-V0,COLOR:NATURE;
COVER: HIGHT-TEMP PLASTIC,UL 94-V0,COLOR:BLACK;
CONTACT: COPPER ALLOY;
LEG: COPPER ALLOY;
2. PLATING:
CONTACT: GOLD OR TIN PLATED ON NICKEL OVERALL.
LEG: TIN PLATED ON NICKEL OVERALL.
3. RATING:
CURRENT RATING: 0.5A AC/DC
VOLTAGE RATING: 25V AC/DC
TEMPERATURE RANGE: -25°C~+85°C;
4. PART NO:



X05A15 L XX X

- ① ② ③ ④

- ① Series Name :X05A15=0.5 mm Pitch(H=1.5mm)
- ② Assembly style : L:Low Contact SMT Type U:Upper Contact SMT Type
D:Double-Face Contact SMT Type H:Back-flip Double-Face Contact SMT Type
- ③ Number of terminals :XX=04-60PIN
- ④ Plating : G:Gold Flash Over Nickel T:Tin Over Nickel



PIN NO.	DIM. A	DIM. B	DIM. C	PIN NO.	DIM. A	DIM. B	DIM. C
26	17.10	12.50	13.57	44	26.10	21.50	22.57
27	17.60	13.00	14.07	45	26.60	22.00	23.07
28	18.10	13.50	14.57	46	27.10	22.50	23.57
29	18.60	14.00	15.07	47	27.60	23.00	24.07
30	19.10	14.50	15.57	48	28.10	23.50	24.57
31	19.60	15.00	16.07	49	28.60	24.00	25.07
32	20.10	15.50	16.57	50	29.10	24.50	25.57
33	20.60	16.00	17.07	51	29.60	25.00	26.07
34	21.10	16.50	17.57	52	30.10	25.50	26.57
35	21.60	17.00	18.07	53	30.60	26.00	27.07
36	22.10	17.50	18.57	54	31.10	26.50	27.57
37	22.60	18.00	19.07	55	31.60	27.00	28.07
38	23.10	18.50	19.57	56	32.10	27.50	28.57
39	23.60	19.00	20.07	57	32.60	28.00	29.07
40	24.10	19.50	20.57	58	33.10	28.50	29.57
41	24.60	20.00	21.07	59	33.60	29.00	30.07
42	25.10	20.50	21.57	60	34.10	29.50	30.57

MARK	DESCRIPTION	DATE	REVISED	APPROVED	UNSPECIFIED TOLERANCES	DSND	DATE	SCALE: N/A	MODEL TYPE: FPC CONNECTOR		
△X					ANGULAR ±5°	DWN	DATE	VIEW:	PART NO.:		
△X					L ≤ 4 ±0.2	CHKD	DATE	UNIT: mm	DWG NO.:		
△X					4 < L ≤ 16 ±0.3	APPD	DATE	SIZE: A4	X05A15LXXX		
					16 < L ≤ 63 ±0.4	XKB INDUSTRIAL PRECISION CO.,LIMITED			WEIGHT	SHEET	REVISION
					L > 63 ±0.5				1.0g	1/1	A0