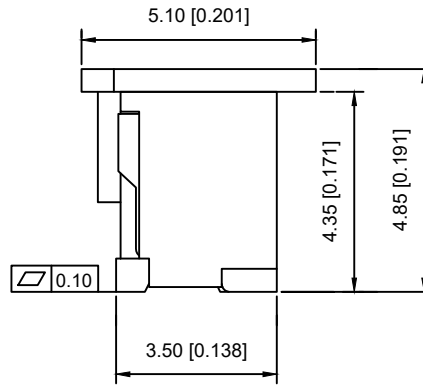
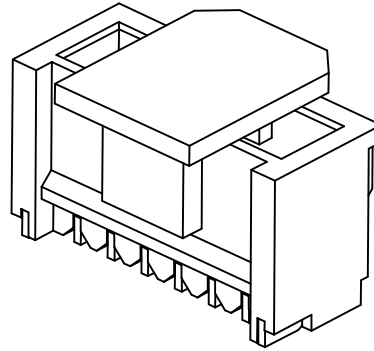


Recommended P.C.B Layout
General Tolerance±0.05



■ Specifications :

- Voltage rating: 125V AC / DC
- Current rating: 1A AC / DC
- Withstanding voltage: 500V AC/minute
- Temperature range: -25°C~+85°C
- Insulation resistance: ≥100MΩ
- Contact resistance: ≤20mΩ
- After environmental testing:≤40mΩ

X1002 W V S- XX-B XX- XX XX
① ② ③ ④ ⑤ ⑥ ⑦ ⑧

- ① Series No.
- ② Category : W-WAFER
- ③ Wedding Board Angle : V-Stright Angle 180°
- ④ Welding Way:S-SMT
- ⑤ Row No.Pin No.XX-02P~20P
- ⑥ Plug the Pin & Special No:B-Ultra-thin With Lock
HF-Halgen Free
- ⑦ Material:6T-PA6T;1T-PA10T;HT-HTN 6T 94V-0
- ⑧ Planting Category:
SN-Bright tin plating 70u" Min.;30" Ni Min.
SW-Matte Tin plating 70u" Min.;30u" Ni Min

Poles	Dimensions(mm)			Poles	Dimensions(mm)		
	A	B	C		A	B	C
02	1.00	3.70	2.50	12	11.00	13.70	12.50
03	2.00	4.70	3.50	13	12.00	14.70	13.50
04	3.00	5.70	4.50	14	13.00	15.70	14.50
05	4.00	6.70	5.50	15	14.00	16.70	15.50
06	5.00	7.70	6.50	16	15.00	17.70	16.50
07	6.00	8.70	7.50	17	16.00	18.70	17.50
08	7.00	9.70	8.50	18	17.00	19.70	18.50
09	8.00	10.70	9.50	19	18.00	20.70	19.50
10	9.00	11.70	10.50	20	19.00	21.70	20.50
11	10.00	12.70	11.50				

X1002WVS-XXBHF-6TSW	PA6T UL 94V-0 (Halogen Free)	Phorpos Bronze	Matte Tin Plating
X1002WVS-XXB-1TSW	PA10T UL 94V-0		
X1002WVS-XXB-HTSW	HTN6T UL 94V-0		
X1002WVS-XXB-6TSW	PA6T UL 94V-0		
X1002WVS-XXB-6TSN	PA6T UL 64V-0		
PART NO	Material	Material(Pin And Solder Tabs)	Finish(Pin And Solder Tabs)

DSND		DATE		SCALE: N/A	MODEL TYPE: X1002WVS-XXB-6TSN
DWN		DATE		VIEW:	PART NO.: 1.0mm Crimp Style Connectors
CHKD		DATE		UNIT: mm/in	DWG NO.:
APPD		DATE		SIZE: A4	
				XKB INDUSTRIAL PRECISION CO.,LIMITED	WEIGHT 1.0g
					SHEET 1/1
					REVISION A0

MARK	DESCRIPTION	DATE	REVISED	APPROVED	UNSPECIFIED TOLERANCES
					ANGLAR ±5°
ΔX					L ≤ 4 ±0.2
ΔX					4 < L ≤ 16 ±0.3
ΔX					16 < L ≤ 63 ±0.4
MARK					L > 63 ±0.5