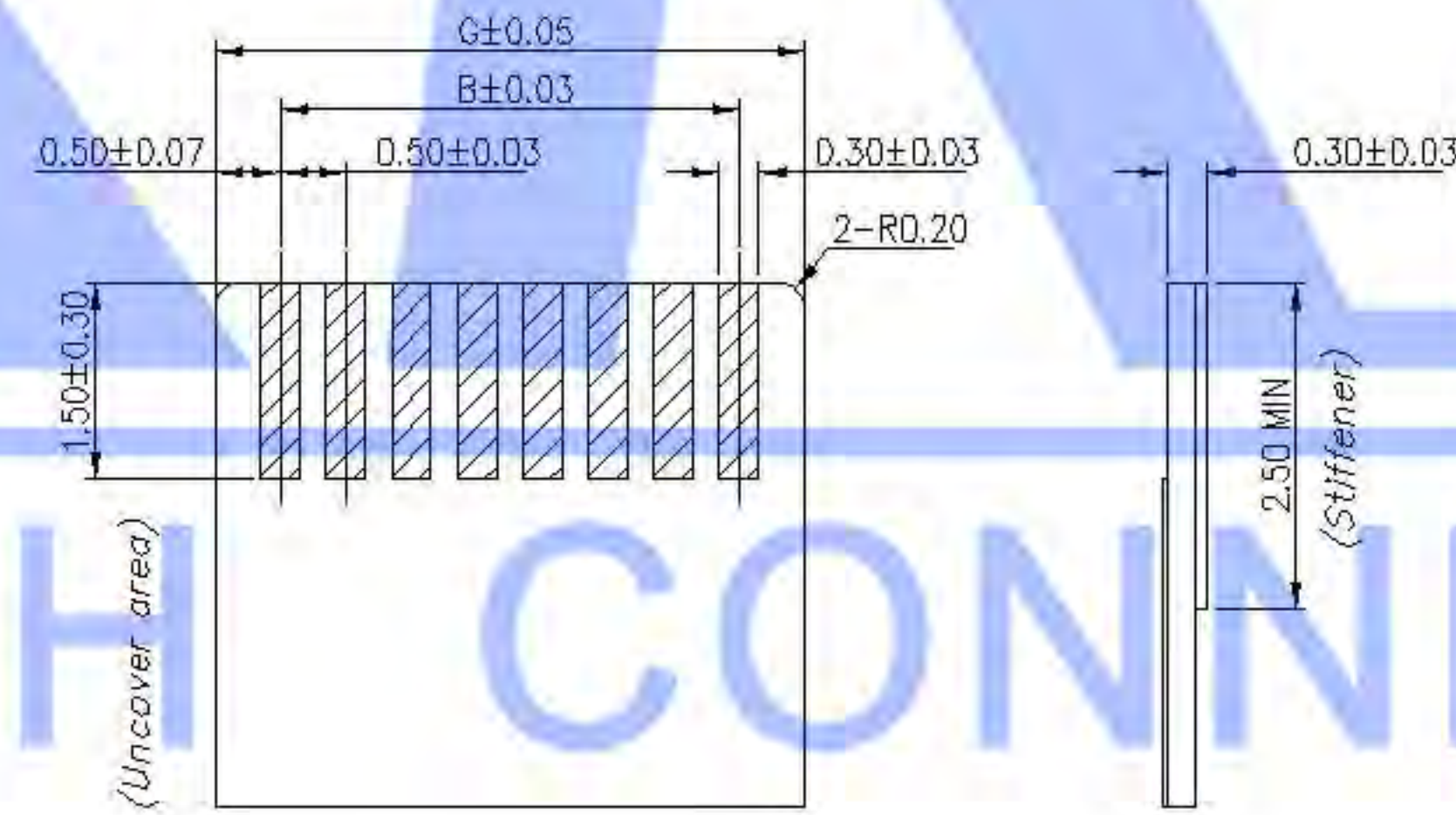


Recommended PCB Layout(Top View)

Recommended metal mask pattern(thickness 0.1mm)



Recomenend FPC Dim.

NOTES: MATERIAL & FINISH

1.MATERIAL:
 HOUSING:LCP(UL 94V-0)
 ACTUATOR:LCP(UL 94V-0)
 TERMINAL: COPPER ALLOY
 SOLDER PIN: COPPER ALLOY

2.PLATING:

TERMINAL: GOLD FLASH OVER NICKEL
 SOLDER PIN: TIN OVER NICKEL(LEAD FREE)

| | | | | | | | |
|--------------------|-------|-------|-------|-------|-------|-------|-------|
| 50 | 27.00 | 24.50 | 25.57 | 26.39 | 26.10 | 26.90 | 25.50 |
| 45 | 24.80 | 22.00 | 23.07 | 23.89 | 23.60 | 24.40 | 23.00 |
| 40 | 22.00 | 19.50 | 20.57 | 21.39 | 21.10 | 21.90 | 20.50 |
| 34 | 19.00 | 16.50 | 17.57 | 18.39 | 18.10 | 18.90 | 17.50 |
| 32 | 18.00 | 15.50 | 16.57 | 17.39 | 17.10 | 17.90 | 16.50 |
| 30 | 17.00 | 14.50 | 15.57 | 16.39 | 16.10 | 16.90 | 15.50 |
| 26 | 15.00 | 12.50 | 13.57 | 14.39 | 14.10 | 14.90 | 13.50 |
| 24 | 14.00 | 11.50 | 12.57 | 13.39 | 13.10 | 13.90 | 12.50 |
| 23 | 13.50 | 11.00 | 12.07 | 12.89 | 12.60 | 13.40 | 12.00 |
| 22 | 13.00 | 10.50 | 11.57 | 12.39 | 12.10 | 12.90 | 11.50 |
| 20 | 12.00 | 9.50 | 10.57 | 11.39 | 11.10 | 11.90 | 10.50 |
| 16 | 10.00 | 7.50 | 8.57 | 9.39 | 9.10 | 9.90 | 8.50 |
| 14 | 9.00 | 6.50 | 7.57 | 8.39 | 8.10 | 8.90 | 7.50 |
| 12 | 8.00 | 5.50 | 6.57 | 7.39 | 7.10 | 7.90 | 6.50 |
| 11 | 7.50 | 5.00 | 6.07 | 6.89 | 6.60 | 7.40 | 6.00 |
| 10 | 7.00 | 4.50 | 5.57 | 6.39 | 6.10 | 6.90 | 5.50 |
| 8 | 6.00 | 3.50 | 4.57 | 5.39 | 5.10 | 5.90 | 4.50 |
| 7 | 5.50 | 3.00 | 4.07 | 4.89 | 4.60 | 5.40 | 4.00 |
| 6 | 5.00 | 2.50 | 3.57 | 4.39 | 4.10 | 4.90 | 3.50 |
| 4 | 4.00 | 1.50 | 2.57 | 3.39 | 3.10 | 3.90 | 2.50 |
| Number of Contacts | DIM A | DIM B | DIM C | DIM D | DIM E | DIM F | DIM G |

- 1. FPC NOT MATING CONDITION BANNED CLOSURE
- 2. PART NO. LEGEND:

X05A10 L XX X

① ② ③ ④

- ① Series Name : X05A10=0.5 mm Pitch(H=1.0mm)
- ② Assembly style : L:Low Contact SMT Type U:Upper Contact SMT Type
D:Double-Face Contact SMT Type H:Back-flip Double-Face Contact SMT Type
- ③ Number of terminals :XX=04-50PIN
- ④ Plating : G:Gold Flash Over Nickel T:Tin Over Nickel

3. PERFORMANCE:

- 3.1: CURRENT RATING: 0.5A/PIN.
- 3.2: VOLTAGE RATING: 50V (AC/DC).
- 3.3: CONTACT RESISTANCE: INITIAL VALUE 30mOHM Max,
- 3.4: INSULATION RESISTANCE: 500MOHM Min.
- 3.5: DIELECTRIC WITHSTANDING VOLTAGE: 250V AC FOR 1MINUTE
- 3.6: DURABILITY: 20 TIMES Min.
- 3.7: OPERATING TEMPERATURE: -40°C~+85°C
OPERATING HUMIDITY RANGE: 20% TO 85%

| | | | | | | | | | | | | | |
|---|-------------|-----------|------|---------|----------|------------------------|--|------|--|--------------------------------------|------------------------------|--------------|----------------|
| | | | | | | DSND | | DATE | | SCALE: N/A | MODEL TYPE: FPC CONNECTOR | | |
| Δ X | | | | | | DWN | | DATE | | VIEW: | PART NO.: | | |
| Δ X | | | | | | CHKD | | DATE | | UNIT: mm | DWG NO.: | | |
| Δ X | | | | | | APPD | | DATE | | SIZE: A4 | X05A10LXXX | | |
| MARK | DESCRIPTION | REVISIONS | DATE | REVISED | APPROVED | UNSPECIFIED TOLERANCES | | | | XKB INDUSTRIAL PRECISION CO.,LIMITED | WEIGHT 1.0g | SHEET 1/1 | REVISION A0 |
| www.xk-dg.cn www.helloxkb.com www.helloxkb.cn | | | | | | | | | | | | | |