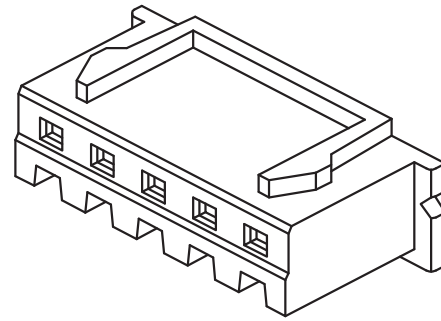


环保物料

TEL: 0769-82001899



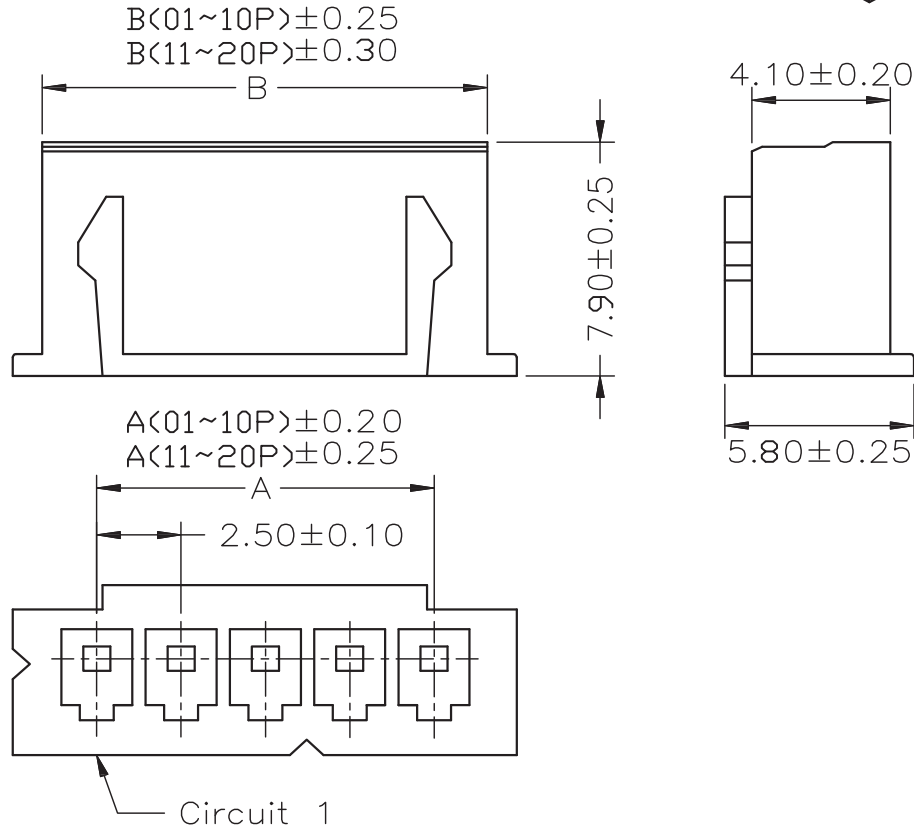
**SPECIFICATIONS**

- 1.Voltage rating: 250V AC, DC
- 2.Current rating: 3A, AC, DC
- 3.Withstanding Voltage: 1000V AC/minute
- 4.Insulation resistance:1000M min
- 5.Temperature range: -25 ° C~ +85 ° C
- 6.Contact resistance: 10m max

**HOUSING**

Housing Material:Nylon66 UL94V-0(2)  
 Accepts :T2501 terminal  
 Mates with: M2501 series header  
 Poles : 02-20P  
 Part No.: P2501-xx-N0

Pin位数



PART NO.	Dimensions	
	A	B
02	2.50	5.70
03	5.00	8.20
04	7.50	10.70
05	10.00	13.20
06	12.50	15.70
07	15.00	18.20
08	17.50	20.70
09	20.00	23.20
10	22.50	25.70
11	25.00	28.20
12	27.50	30.70
13	30.00	33.20
14	32.50	35.70
15	35.00	38.20
16	37.50	40.70
17	40.00	43.20
18	42.50	45.70
19	45.00	48.20
20	47.50	50.70

				TOLERANCE UNLESS OTHERWISE	DRAWN	CK tan	<b>XFCN</b> 兴飞连接器有限公司 XFCN CONNECTORS CO.,LTD.	SHEET	1/1
				X. $\pm 0.30$ X° $\pm 5^\circ$	CHKD			DATE	2020. 04. 12
				.X $\pm 0.20$ .X° $\pm 2^\circ$	APPD			UNITS	mm
				.XX $\pm 0.08$ .XX° $\pm 1^\circ$	VIEW	PRODUCT NAME <b>2.50mm Crimp Style Connectors</b>		SCALE	1:1
AO	MODIFICATION	DRAW	DATE	.XXX $\pm 0.03$ .XXX° $\pm 0.5^\circ$		PART. NO. <b>P2501-xx-N0</b>	DWG. NO.	009	