

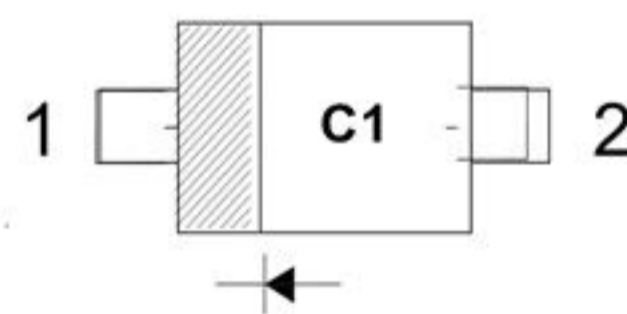
Features

- Low forward voltage
- Fast Reverse Recovery Time
- Small Total Capacitance

Application

- Ultra high speed switching

Dimensions and Pin Configuration



PIN	DESCRIPTION
1	Cathode
2	Anode

Marking: C1

Absolute Maximum Ratings ($T_{amb}=25^{\circ}C$ unless otherwise specified)

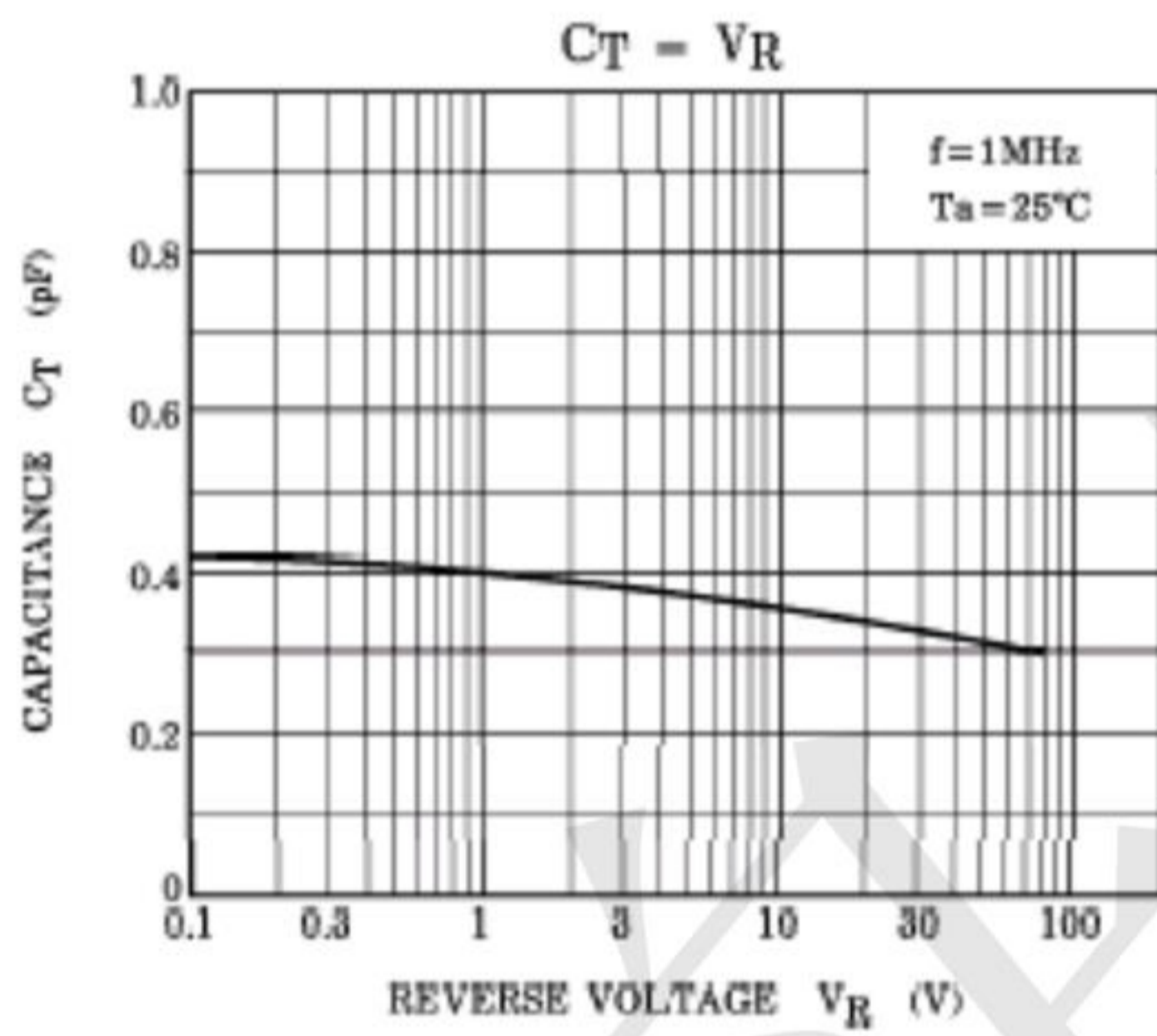
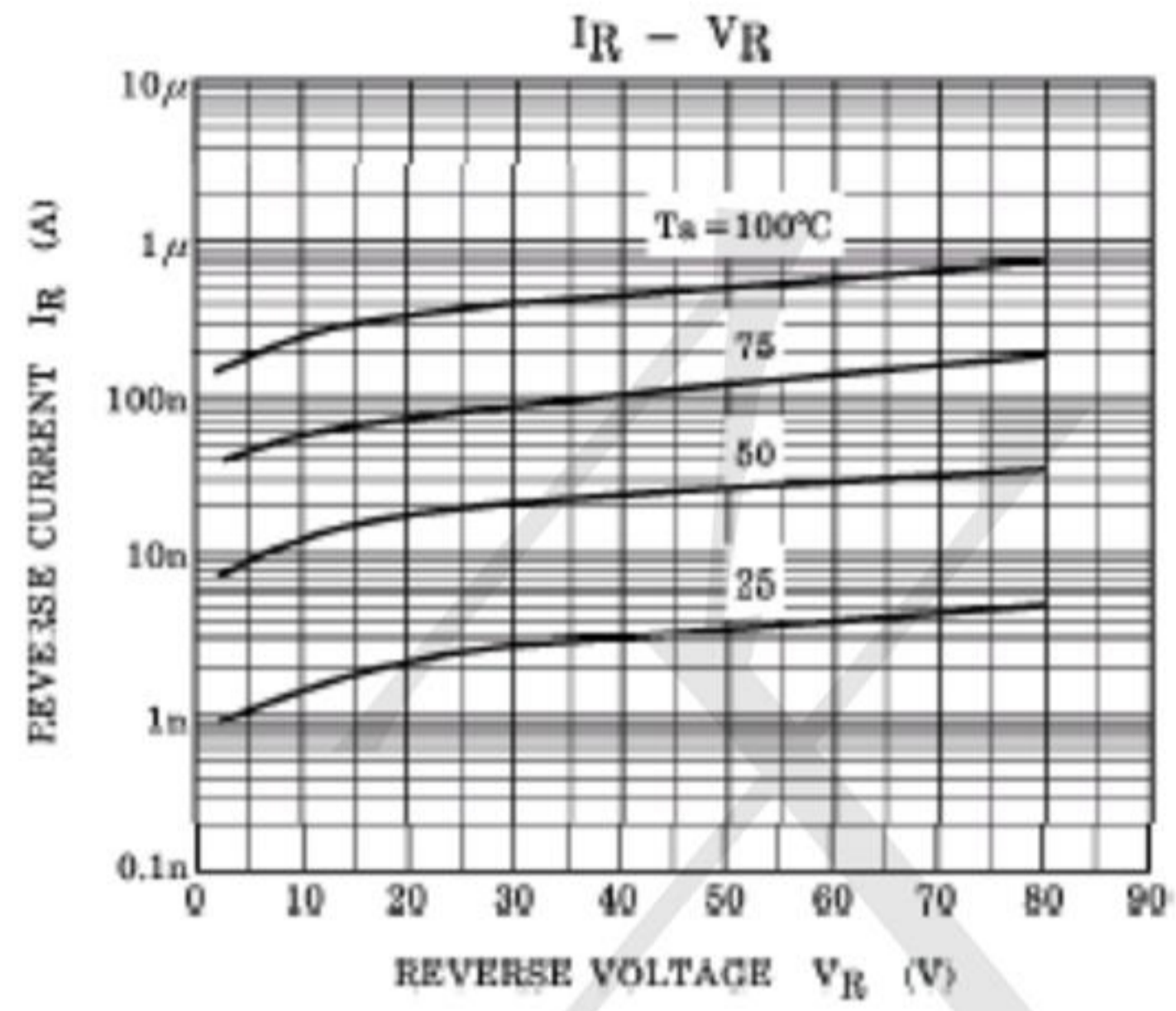
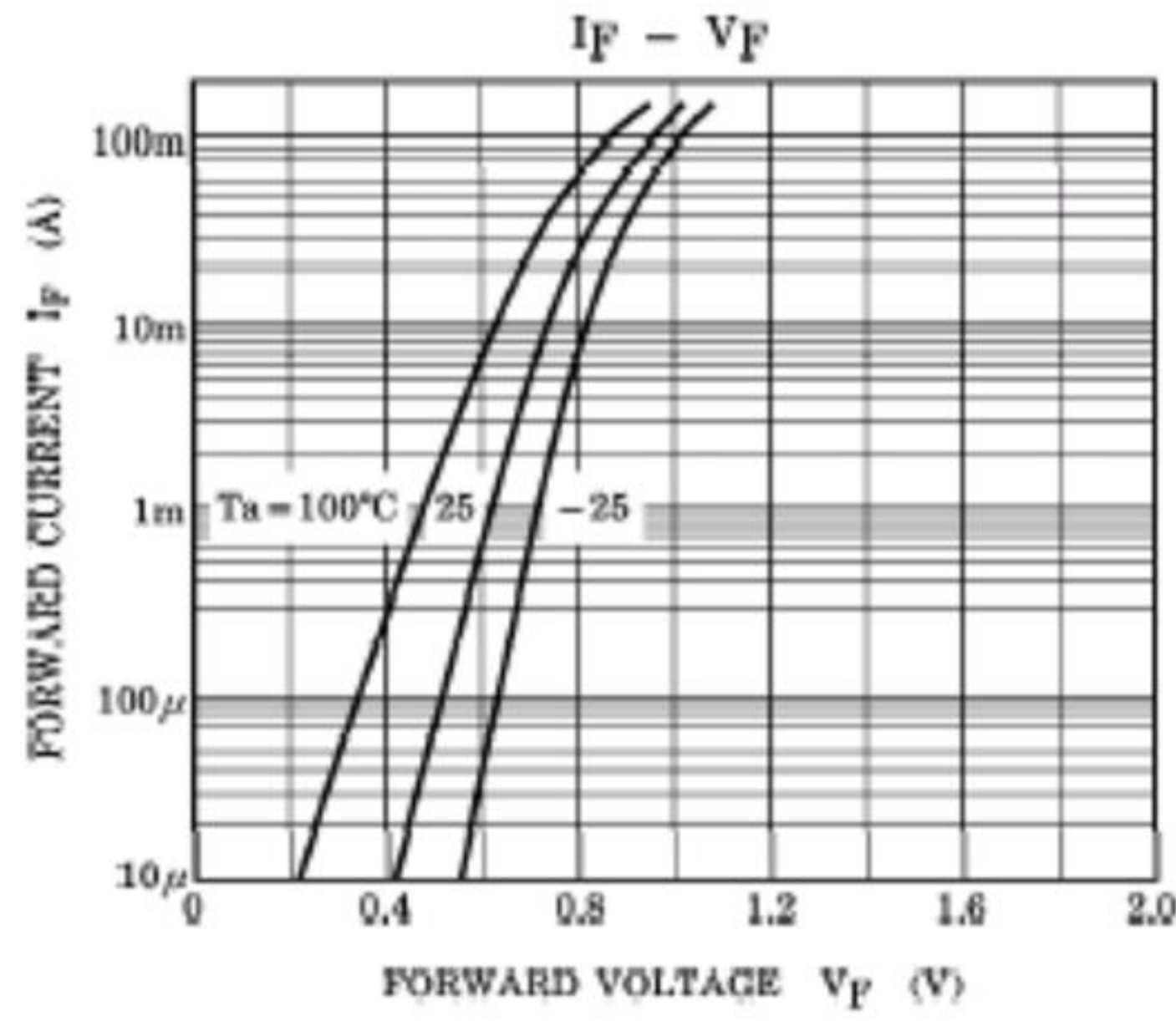
Parameter	Symbol	Value	Unit
Maximum (Peak) Reverse Voltage	V_{RM}	85	V
Reverse Voltage	V_R	80	V
Average Rectified Forward Current	$I_{F(AV)}$	100	mA
Maximum (Peak) Forward Current	I_{FM}	200	mA
Surge Forward Current (10 ms)	I_{FSM}	1	A
Power Dissipation	P_{tot}	200	mW
Junction Temperature	T_j	150	$^{\circ}C$
Storage Temperature Range	T_{stg}	- 55 to + 150	$^{\circ}C$

Electrical Characteristics (TA=25°C unless otherwise specified)

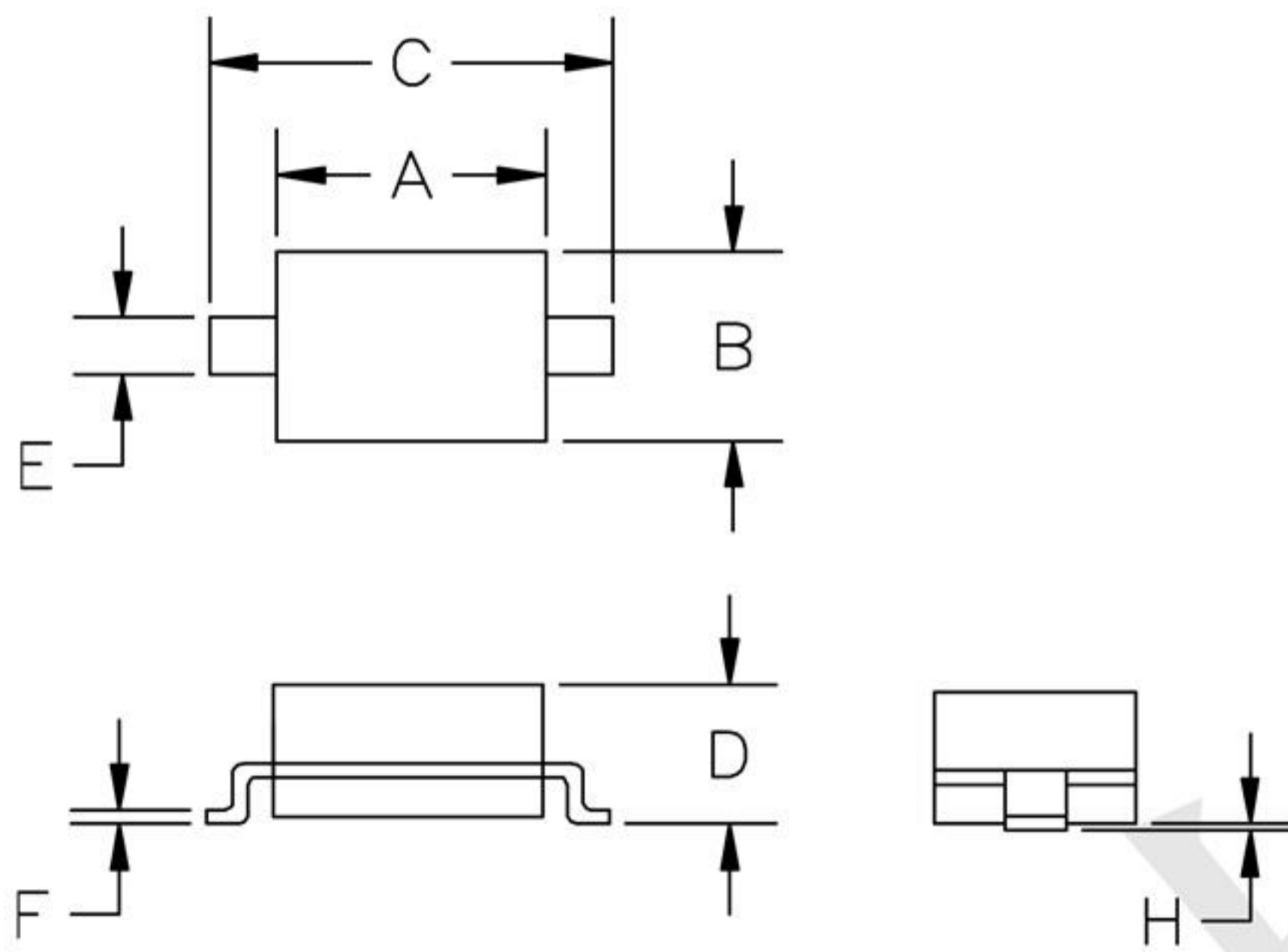
Parameter	Symbol	Max.	Unit
Forward Voltage at $I_F = 100 \text{ mA}$	V_F	1.2	V
Reverse Current at $V_R = 30 \text{ V}$ at $V_R = 80 \text{ V}$	I_R	0.1 0.5	μA
Total Capacitance at $V_R = 0 \text{ V}$, $f = 1 \text{ MHz}$	C_T	3	pF
Reverse Recovery Time at $I_F = 10 \text{ mA}$ to $I_R = 1 \text{ mA}$, $V_R = 6 \text{ V}$, $R_L = 100 \Omega$	t_{rr}	4	ns



Typical Performance Characteristics (TA=25°C unless otherwise Specified)

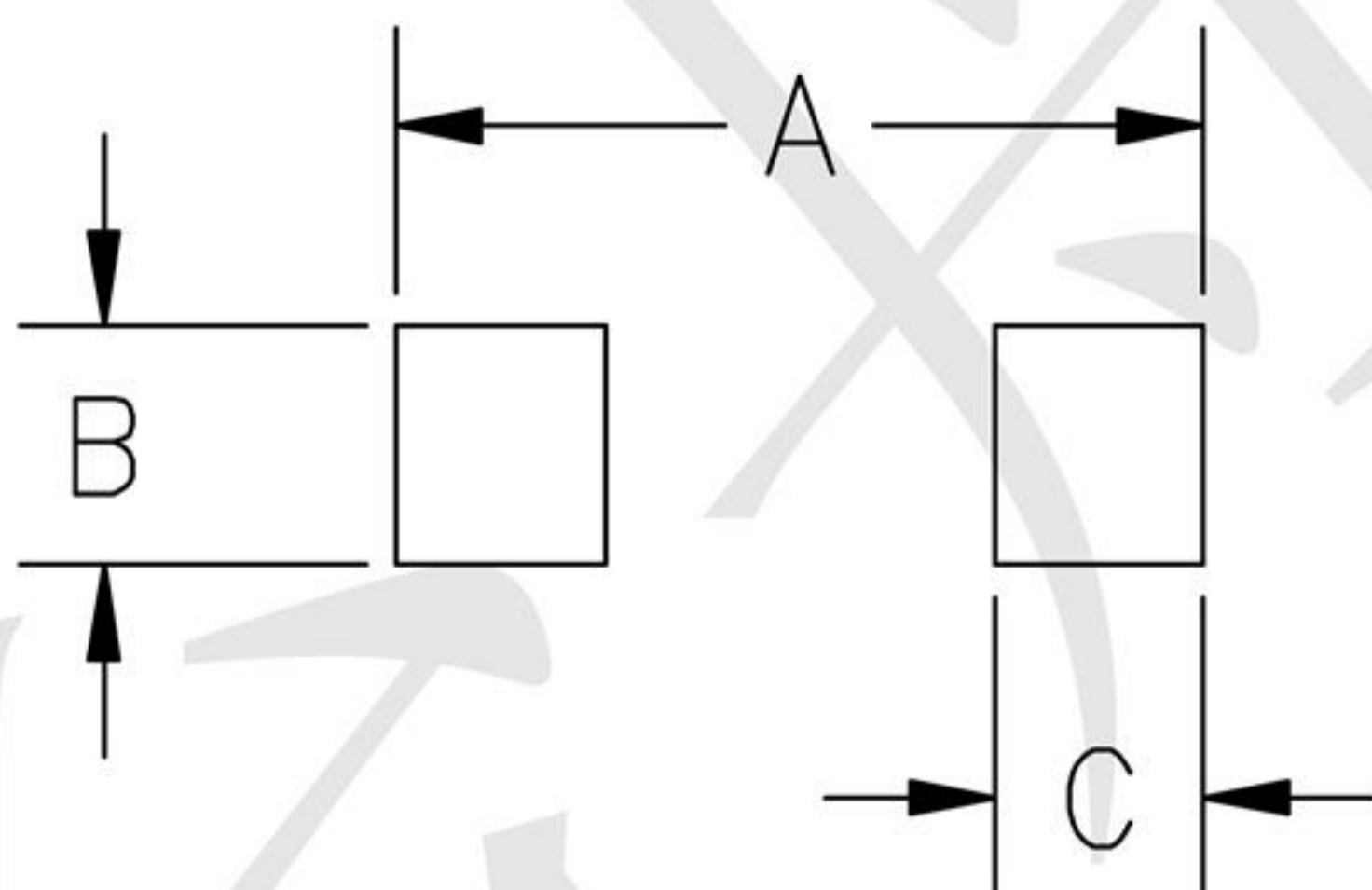


Outline Drawing - SOD-323



SYM	DIMENSIONS			
	MILLIMETERS		INCHES	
	MIN	MAX	MIN	MAX
A	1.50	1.80	0.060	0.071
B	1.20	1.40	0.045	0.054
C	2.30	2.70	0.090	0.107
D	-	1.10	-	0.043
E	0.30	0.40	0.012	0.016
F	0.10	0.25	0.004	0.010
H	-	0.10	-	0.004

Land Pattern - SOD-323



SYM	DIMENSIONS	
	MILLIMETERS	INCHES
A	3.15	0.120
B	0.80	0.031
C	0.80	0.031