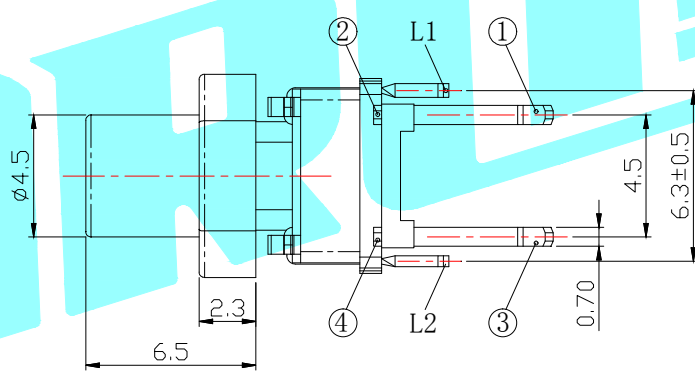
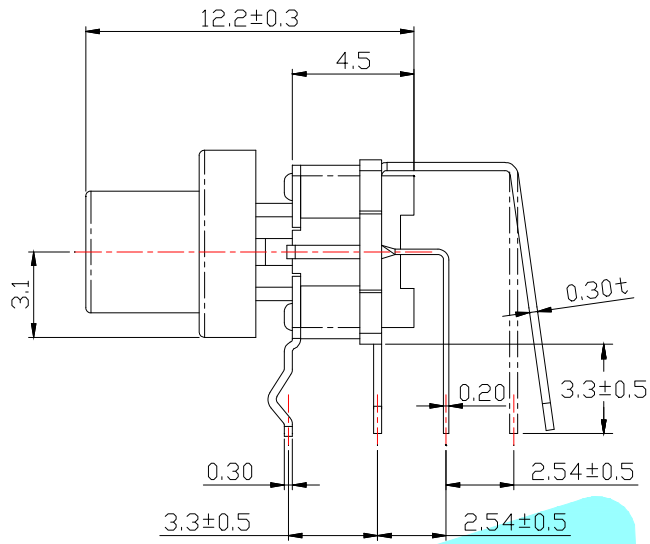
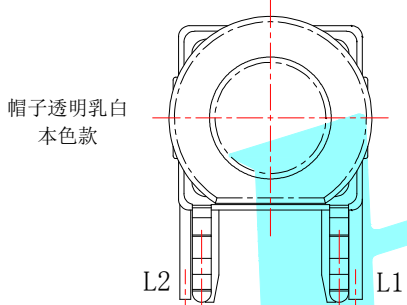
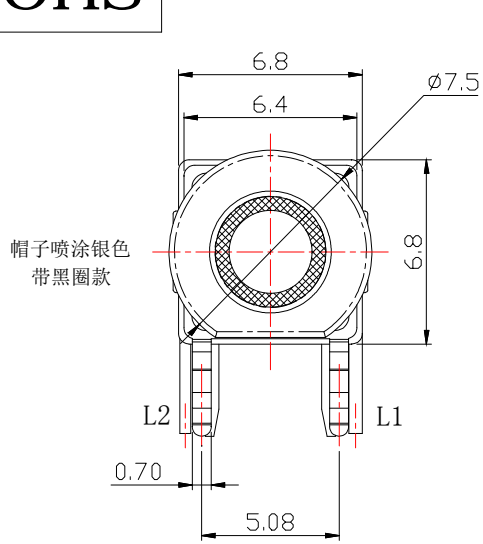
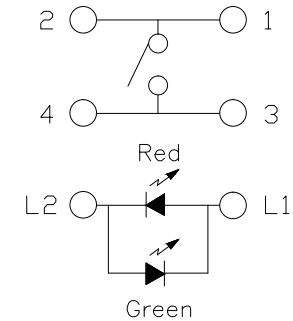


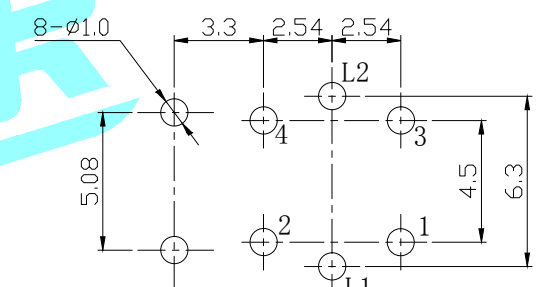
# ROHS



LED colour(LED颜色)	Part No. 料号
White(白色)	K6-6156F01
Red(红色)	K6-6156F02
Blue(蓝色)	K6-6156F03
Green(绿色)	K6-6156F04
Yellow/Green(黄/绿色)	K6-6156F05
Red/Blue(红/蓝色)	K6-6156F06
Red/Green(红/绿色)	K6-6156F07



Circuit Diagram



PCBLayout(Pattern Side)

### Typical Specifications

- 1.Rating : DC 12V 50mA
- 2.Insulation Resistance : 100mΩ Min
- 3.Dielectric Strength :AC 250V for 1 minute
- 4.LED Operating Current: 20mA MAX
- 5.Operating Force : 160±50 gf
- 6.Contact Resistance : 50mΩ MAX
- 7.Life : 100,000 Cycles Min

ITEM	PART NAME	TER'NO.	QTY.	MATERIAL	FINISHING	REMARK
⑧	Contact	—	1	SUS	—	—
⑦	Holder	—	1	PA66	Black	—
⑥	Cover	—	1	SUS	—	—
⑤	LED	—	1	GaASP/GaP	—	—
④	Terminal	—	4	Brass	Ag Plating	—
③	Base	—	1	PA66	Black	—
②	Button	—	1	PA66	—	—
①	Cap	—	1	PC	Misty Silver	—

APPROVALS		DATE		HRO 韓綜® ELECTRONICS CO.,LTD		
DRAWN	LIUCAN	2021.01.13		TITLE:	LED Tact Switch	
CHECKED				PART NO.	K6-6156F□□	
APPROVALS				TOLERANCES ARE	30~以上 10~30 5~10 ~ 5	±0.30 ±0.20 ±0.15 ±0.10
		ANGLE	±2'	UNIT: mm	SCALE: 1:1	PROJ:
ECN NO.	REV.	DATE.	DESCRIPTION.	CHANGE.	CHECK.	APPRO.

ECN NO.	REV.	DATE.	DESCRIPTION.	CHANGE.	CHECK.	APPRO.
	A		NEW			