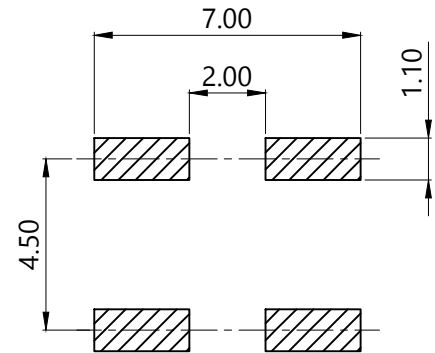
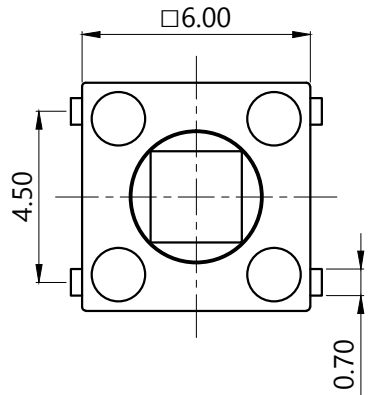
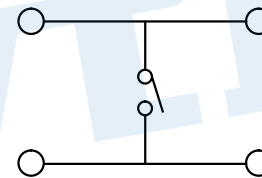
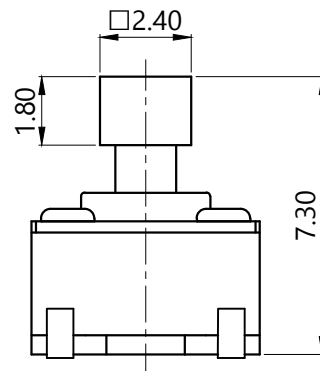
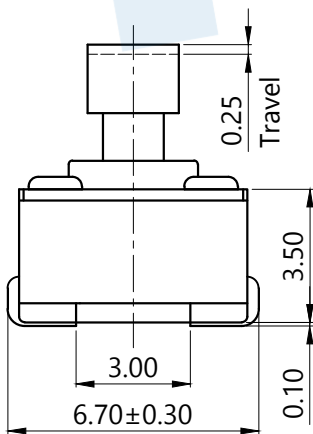
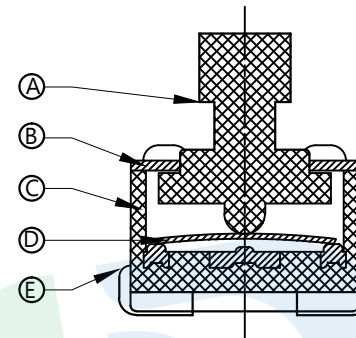


RoHS



PCB Layout(Pattern side)



Circuit Diagram

SHRAPNEL	
CODE	MATERIAL/QTY
D1	C5210/1PCS
D2	SUS/1PCS

OPERATING FORCE	
CODE	VIGOR
B1	120±30gf
B2	180±30gf
B3	250±30gf

NO.	Name	Number	Qty	Materil	Remarks
⑤	Terminal		4	Brass	Silvering
④	Reed		1	SUS	Silver covered
③	Base		1	PPA	Black
②	Cover		1	Brass	Nickel Plating
①	Keystoke		1	PPA	Black

**YUANDI®** Yuandi Electronics Co, Ltd

design	date	name	TACT SWITCHS
Review	date	model	TS-1035U-B□□□
Approved	date		

Drawing number: Proportion 1:1 unit mm gage number A4

modify Review Approved Tolerance not specified