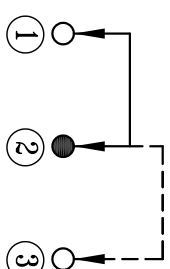


SCHEMATIC (NON-SHORTING)



SS-12F468-GXXX

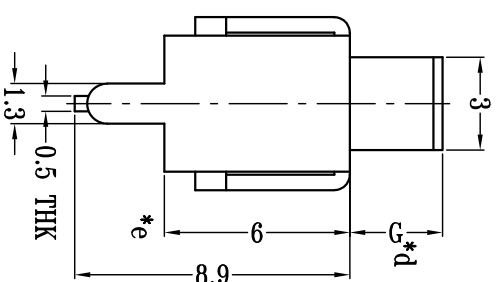
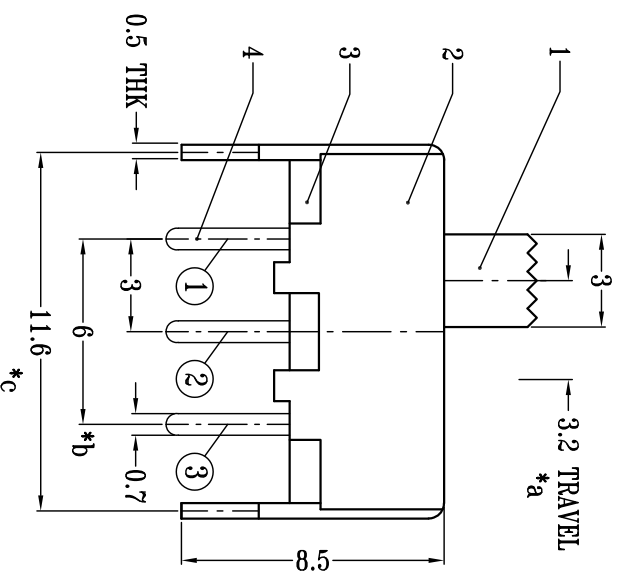
直柄

G-Switch P/N

Switch Height (mm)
G020=2.0 G030=3.0
G040=4.0 G050=5.0
G055=5.5 G060=6.0
G065=6.5 G070=7.0
G075=7.5 G080=8.0
G085=8.5 G090=9.0
G095=9.5 G100=10.0

G-Switch Specification:

Electrical Specifications: 1.0A/DC24V
 Contact resistance (CR): $\leq 50\text{m}\Omega$
 Insulation Resistance(IR): $\geq 100\text{M}\Omega$ DC250V
 Compressive strength (WV): AC250V 1minute
 Operating temperature: $-25^{\circ}\text{C}\sim+70^{\circ}\text{C}$
 Storage humidity: $<85\%\text{RH}$
 Electrical life: 10,000Cycles.



RoHS
Compliant
2002/95/EC



RoHS
Compliant
Halogen Free



Unless otherwise specified, Tolerance:
 #0.30
 X.X
 #0.20
 X.XX
 #0.15
 X.XXX
 #0.10
 #.5
 Angles

G-Switch Electronic (HongKong) CO.,Ltd.

Mold code:

SS-12F468-GXXX

DESIGN	Bright Lee	DATE	2016.05.29
CHECKED		DATE	
APPROVED		DATE	
http://www.dg-switch.com			
REV.	X1	SCALE	4:1
SIZE	A4	SHEET	1/1
UNIT	mm		

TEL:0769-82388879