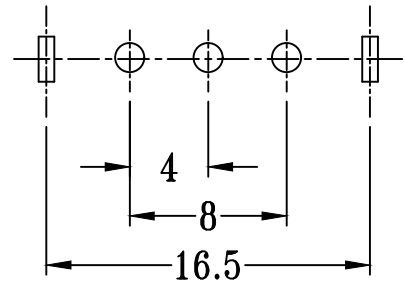
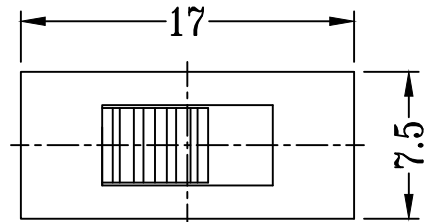
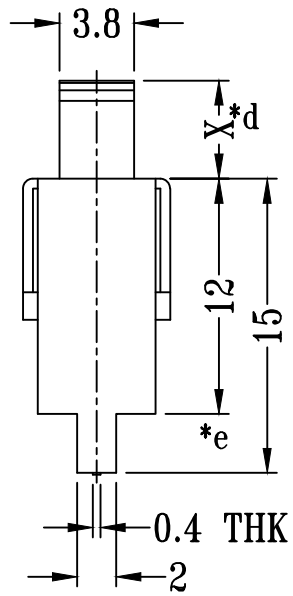
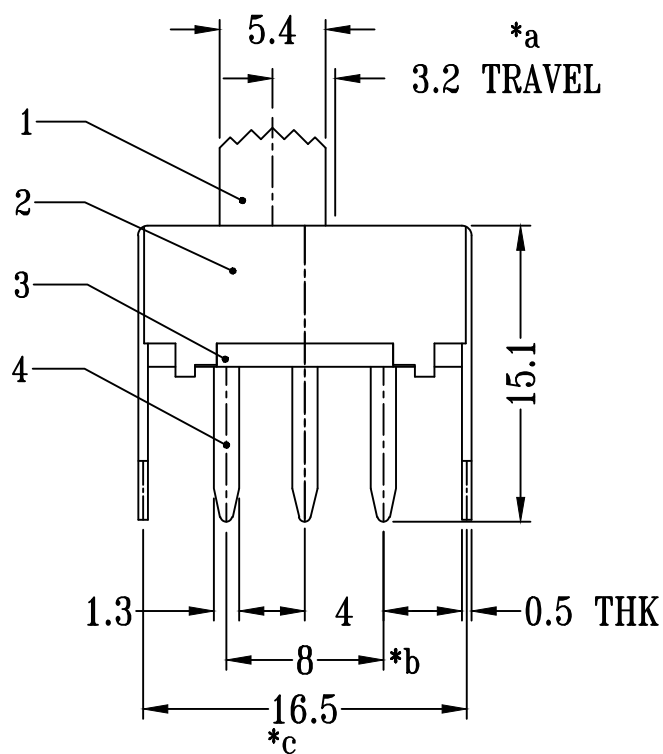
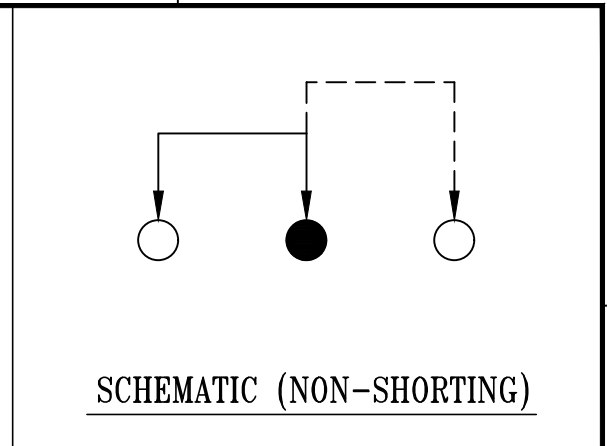


A B C D E



P.C.B LAYOUT  
BOTTOM VIEW



SS-12F18-GXXX

直柄 G-Switch P/N

- G=020 (2.0) G=030 (3.0)
- G=040 (4.0) G=050 (5.0)
- G=055 (5.5) G=060 (6.0)
- G=065 (6.5) G=070 (7.0)
- G=075 (7.5) G=080 (8.0)
- G=085 (8.5) G=090 (9.0)
- G=095 (9.5) G=100 (10.0)

G-Switch Specification:  
 RATING (额定值) : DC250V 0.5A  
 CONTACT RESISTANCE 接触电阻: ≤70mΩ  
 INSULATION RESISTANCE 绝缘电阻: ≥100mΩ  
 DIELECTRIC STRENGTH 耐电压: AC 500V for 1 minute  
 TIMING (时间特性) :SHORTING



		<b>G-Switch Electronic Technology CO.,Ltd.</b>				
					Unless otherwise specified, Tolerance: X. ±0.30 X.x ±0.20 X.xx ±0.15 X.xxx ±0.10 Angles ±3°	
DESIGN	陈锋枫	DATE	2016.05.29	TITLE:		
CHECKED		DATE		SS-12F18-GXXX		
APPROVED		DATE				
<a href="http://www.dg-switch.com">http://www.dg-switch.com</a>				REV.: X1	SCALE: 4:1	UNIT: mm
TEL:0769-82388879				SIZE: A4	SHEET: 1/1	

A B C D E