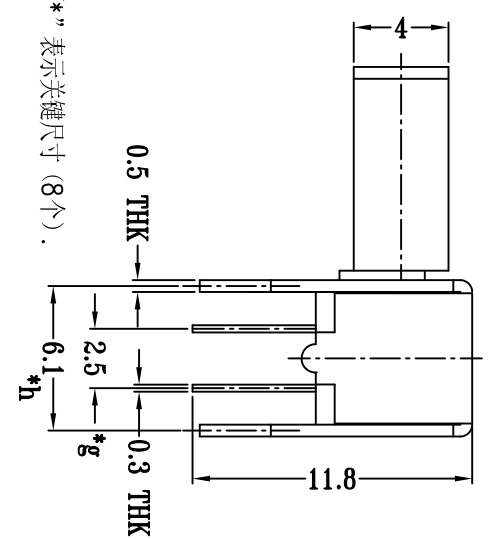
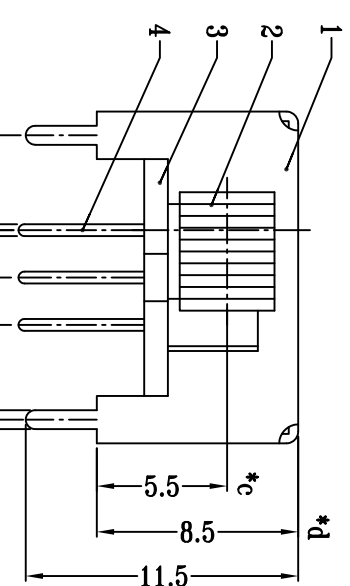


SK-22D14-GXXX

手柄
G-Switch P/N

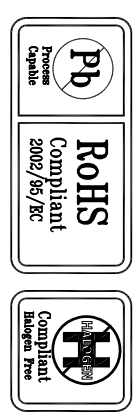
Switch Height (mm)

G020=2.0	G030=3.0
G040=4.0	G050=5.0
G055=5.5	G060=6.0
G065=6.5	G070=7.0
G075=7.5	G080=8.0
G085=8.5	G090=9.0
G095=9.5	G100=10.0



注：“*”表示关键尺寸 (8个)。

G-Switch Specification:
 Electrical Specifications: 1.0A/DC24V
 Contact resistance (CR): ≤50mΩ
 Insulation Resistance(IR): ≥100MΩ DC250V
 Compressive strength (WV): AC250V 1minute
 Operating temperature: -25°C~+70°C
 Storage humidity: <85%RH
 Electrical life: 10,000Cycles.



G-Switch Electronic (HongKong) CO.,Ltd.

Unless otherwise specified, Tolerance:
 X ±0.30
 X.X ±0.20
 X.XX ±0.15
 X.XXX ±0.10
 Angles ±3

DESIGN	Bright Lee	DATE	2016.05.29	MoIde code:	
CHECKED		DATE			
APPROVED		DATE			
http://www.dg-switch.com				REV:	X1
TEL:0769-82388879				SCALE:	4:1
				UNIT:	mm
				SHEET:	1/1
				SIZE:	A4

SK-22D14-GXXX