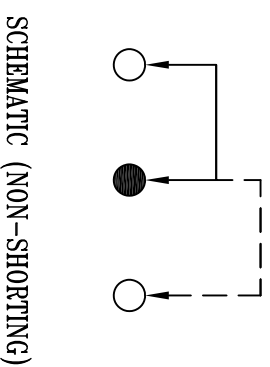
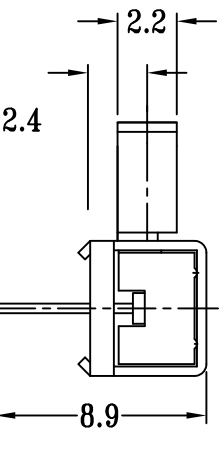
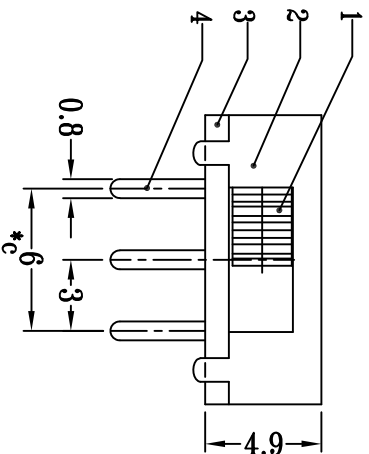


P.C.B LAYOUT  
BOTTOM VIEW



SCHEMATIC (NON-SHORTING)

## SK-12F04-GXXX

手柄  
G-Switch P/N

**Switch Height (mm)**

G020=2.0	G030=3.0
G040=4.0	G050=5.0
G055=5.5	G060=6.0
G065=6.5	G070=7.0
G075=7.5	G080=8.0
G085=8.5	G090=9.0
G095=9.5	G100=10.0

### G-Switch Specification:

Electrical Specifications: 1.0A/DC24V  
 Contact resistance (CR):  $\leq 50\text{m}\Omega$   
 Insulation Resistance(IR):  $\geq 100\text{M}\Omega$  DC250V  
 Compressive strength (WV): AC250V 1minute  
 Operating temperature:  $-25^{\circ}\text{C}\sim+70^{\circ}\text{C}$   
 Storage humidity:  $<85\%\text{RH}$   
 Electrical life: 10,000Cycles.



**G-Switch Electronic (HongKong) CO.,Ltd.**

Unless otherwise specified, Tolerance:  
 X  $\pm 0.30$   
 X.X  $\pm 0.20$   
 X.XX  $\pm 0.15$   
 X.XXX  $\pm 0.10$   
 Angles  $\pm 3$

DESIGN	Bright Lee	DATE	2016.05.29	Mold code:	
CHECKED		DATE		SK-12F04-GXXX	
APPROVED		DATE			
http://www.dg-switch.com				REV.: X1	SCALE: 4:1
TEL:0769-82388879				SIZE: A4	SHEET: 1/1

