

PS-12E15XX

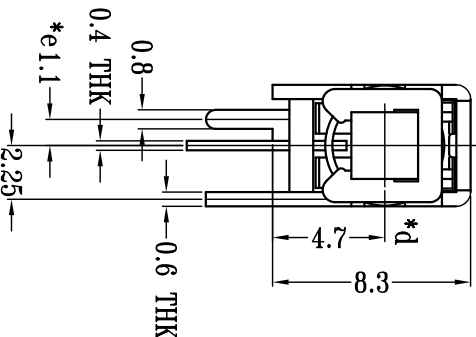
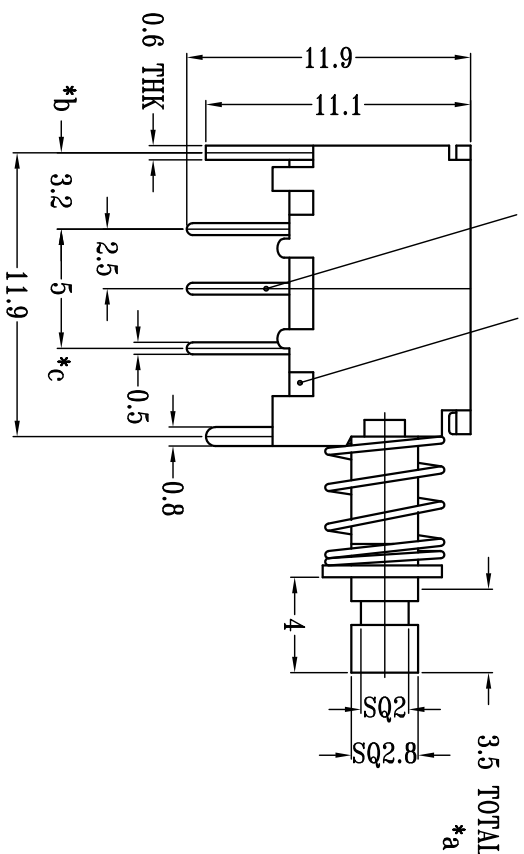
PUSH SWITCH

G-Switch P/N

N=NO LOCK
L=LOCK

- A=黑色
- B=红色
- C=蓝色
- D=其它

5 — 6 —



G-Switch Specification:

Electrical Specifications: 0.5A 30VDC
 Contact Resistance: $\leq 100m\Omega$
 Insulation Resistance: $\geq 100M\Omega$ DC125V
 Withstand Voltage: AC125V 1 minute
 Operating Temperature: -25°C~+65°C
 Storage Humidity: $\leq 85\%RH$
 Electrical Life: 10 000
 Mechanical Life: 100 000



G-Switch Electronic (HongKong) CO.,Ltd.



Unless otherwise specified, Tolerance:	
X	± 0.30
X.X	± 0.20
X.XX	± 0.15
X.XXX	± 0.10
Angles	± 3

DESIGN	Bright Lee	DATE	2016.05.29	Mold code:	
CHECKED		DATE			
APPROVED		DATE			
http://www.dg-switch.com				REV:	X1
TEL:0769-82388879				SCALE:	4:1
				SHEET:	1/1
				UNIT:	mm

PS-12E15