

BCT3256

6 Channel Constant Current LED Driver Low Dropout Current Sink

General Description

The BCT3256 is a high performance constant current white LED driver. The BCT3256 uses an internal resistor to set the bias current for 6 LEDs, which are matched to 3%. The BCT3256's advantages over ballast resistors include much lower bias variation with supply voltage variation, significantly lower dropout voltage, and in some applications, significantly improved efficiency. The BCT3256 requires only a 50mV dropout voltage at a 20mA load on each output to match the LED brightness.

Users can easily configure the LED current from 1.25mA to 20mA by a serial pulse interface. The dimming of white LEDs current can be achieved by applying a pulse signal to the EN pin. There are totally 16 steps of current could be set by users. Internal soft start circuitry effectively reduces the in-rush current while both start-up and mode transition.

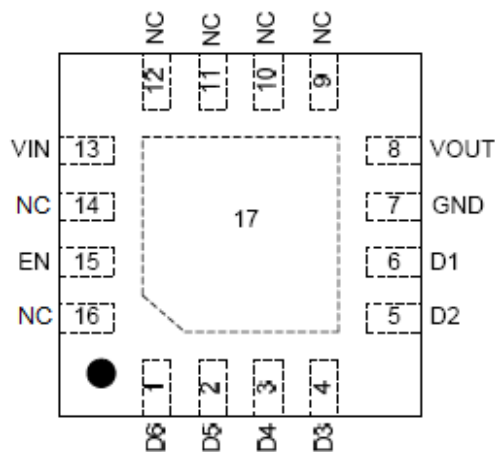
Features

- ◆ Low 50mV Dropout at 20mA
- ◆ 20mA full scale current
- ◆ <3% LED Current Matching (TYP)
- ◆ One Wire interface for 16-Step Brightness Control
- ◆ 2.7V to 5.5V Supply Voltage Range
- ◆ Thermal Shutdown Protection
- ◆ Low Input Noise and EMI
- ◆ RoHS Compliant and 100% Lead (Pb)-Free, QFN-16L Package

Applications

- Cell Phones
- PDA's
- Digital Cameras, Camcorders
- Portable Instrumentation
- Battery Powered Equipment

Pin Configurations (Top View)



QFN3x3-16L Package

6 Channel Constant Current LED Driver

Ordering Information

PART	PIN-PACKAGE	Temp-Range	Top Mark	Supplied as:
BCT3256EGB-TR	QFN3x3-16L	-40°C to +85°C	3256	3000units/Tape & Reel

Functional Pin Description

Pin	Name	Function
1	D6	LED Pin6, leave it NC if unused.
2	D5	LED Pin5, leave it NC if unused.
3	D4	LED Pin4, leave it NC if unused.
4	D3	LED Pin3, leave it NC if unused.
5	D2	LED Pin2, leave it NC if unused.
6	D1	LED Pin1, leave it NC if unused.
7	GND	Ground
8	Vout	Vout Pin, connect to VIN internally
13	VIN	Input voltage
15	EN	Chip Enable (Active High), and Brightness control interface
9,10,11,12,14,16	NC	No connect

Typical Application Circuit

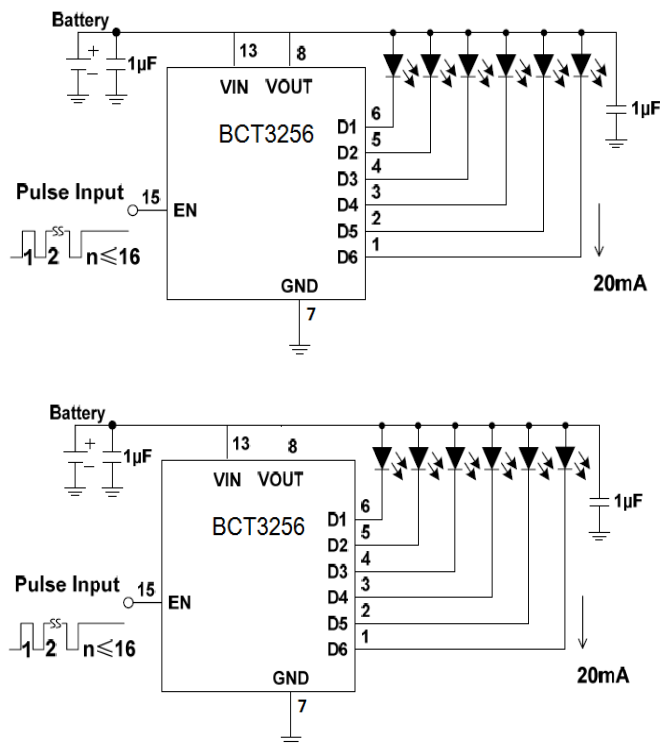


Figure 1: Application Circuit .

6 Channel Constant Current LED Driver

ABSOLUTE MAXIMUM RATINGS

VIN to GND.....	-0.3V to 6V	Operating Temperature	
All Other Pins to GND	-0.3V to (VCC + 0.3V)	Range	-40°C to +85°C
Continuous Current (D1- D6).....	±30mA	Storage Temperature	
Continuous Power Dissipation (TA = +70°C)		Range.....	-65°C to +150°C
16-Pin QFN (derate 15.6mW/°C above		Junction Temperature.....	+150°C
+70°C)	1.25W	Lead Temperature (soldering, 10s)...	+300°C

Stresses beyond those listed under "Absolute Maximum Ratings" may cause permanent damage to the device. These are stress ratings only, and functional operation of the device at these or any other conditions beyond those indicated in the operational sections of the specifications is not implied. Exposure to absolute maximum rating conditions for extended periods may affect device reliability.

ELECTRICAL CHARACTERISTICS

(VIN = 2.7V to 5.5V, TA = TMIN to TMAX, unless otherwise noted. Typical values are at VIN = 3.3V, TA = +25°C.)

PARAMETER	SYMBOL	CONDITIONS	MIN	TYP	MAX	UNITS
POWER SUPPLY						
Supply Voltage Range	VIN		2.7		5.5	V
Supply Current	I _{VIN}	EN= high, D_ floating		150	200	uA
Shut Down Current	I _{SHUT}	EN= low			1	uA
Analog Outputs (D1-D6)						
Drop Out Voltage	V _{DROP}	ID_ = 20mA, VD_ - GND		50	75	mV
Current Accuracy	ID_	Current Sink mode	19	20	21	mA
Current Matching Between Channels	ΔID_	Max(ΔID_) /Iavg		1.5	3	%
Logic Inputs (EN)						
Input-Logic High	V _{IH}		1.6			V
Input-Logic Low	V _{IL}				0.4	V
Input Leakage Current	I _{IN}	V(EN) = 0 or VIN			±1	uA
IC junction thermal shutdown threshold	T _{J-TH}			155		°C

Note : Devices are 100% tested at TA = +25°C. Limits across the full temperature range are guaranteed by design and correlation.

6 Channel Constant Current LED Driver

Functional Block Diagram

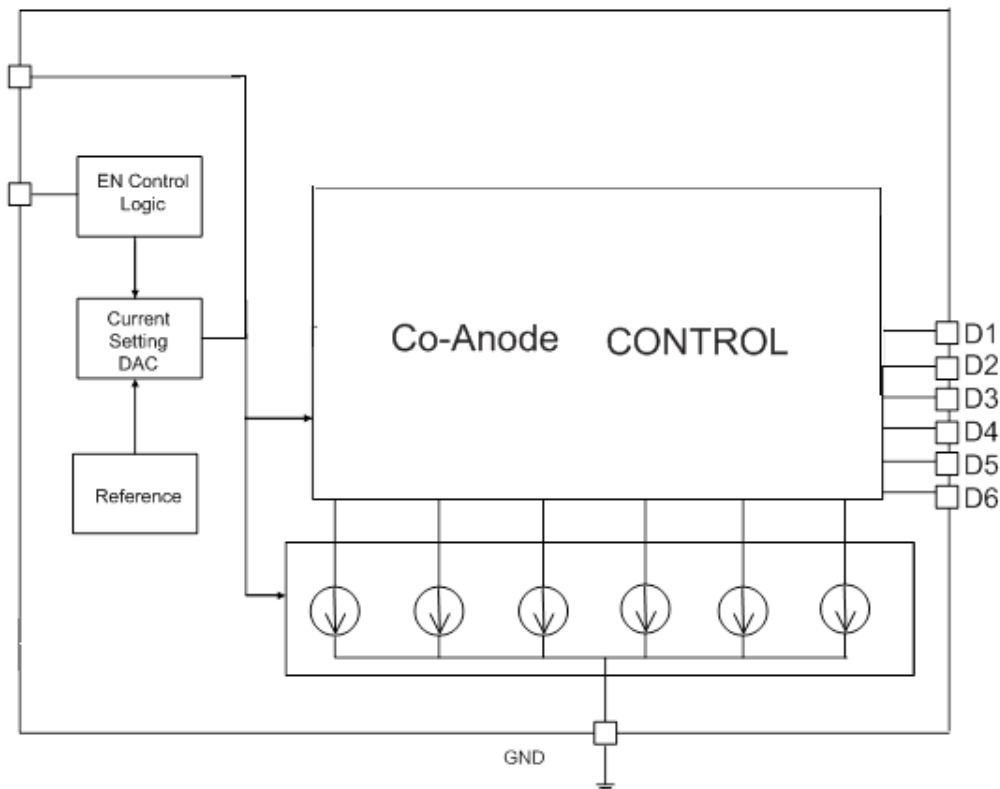


Figure 2: Functional Block Diagram

Functional Description

The BCT3256 is a six-channel current sink driver, offering ultra-high efficiency for driving parallel LEDs. The BCT3256 enters current sink mode and can support to drive 6 parallel Co-Anode LEDs. Also users can easily configure the LED current from 1.25mA to 20mA by a serial pulse input pin15. The number of falling edges are detected internally and decoded as illustrated in Table 1. There are totally 16 steps of current value could be set by users. When the EN pin is held low for 3ms or more, the BCT3256 enters the shutdown mode and draw “zero” current from VIN.

6 Channel Constant Current LED Driver

Number of Pulse Falling Edge	I _{DX} (mA)	Number of Pulse Falling Edge	I _{DX} (mA)
0	20	8	10
1	18.75	9	8.75
2	17.5	10	7.5
3	16.25	11	6.25
4	15	12	5
5	13.75	13	3.75
6	12.5	14	2.5
7	11.25	15	1.25

Table 1: Current Setting

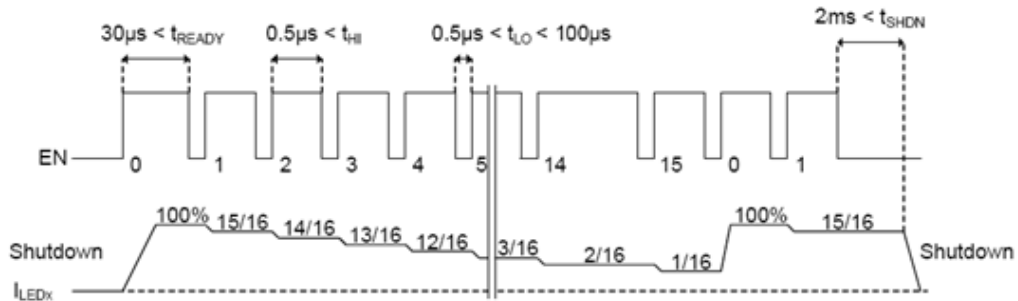
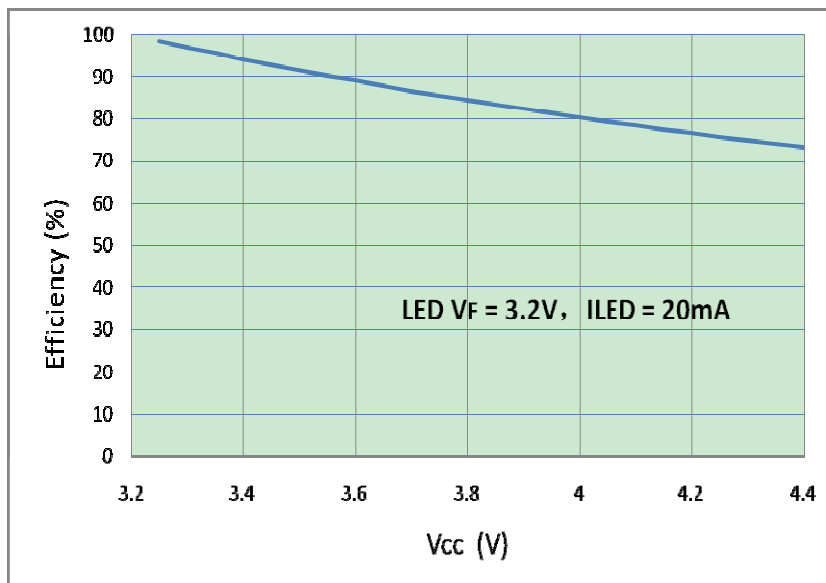


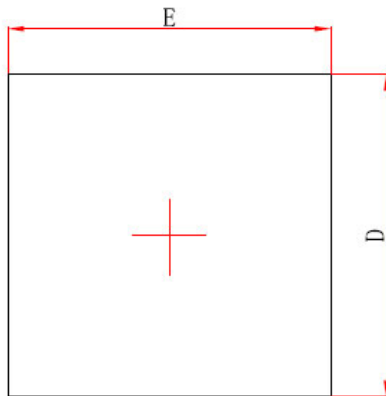
Figure 3: Brightness Control by Pulse Dimming

Efficiency vs Supply Voltage

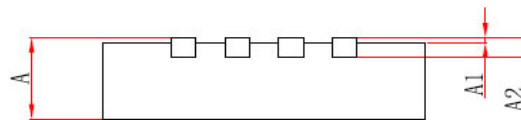


6 Channel Constant Current LED Driver

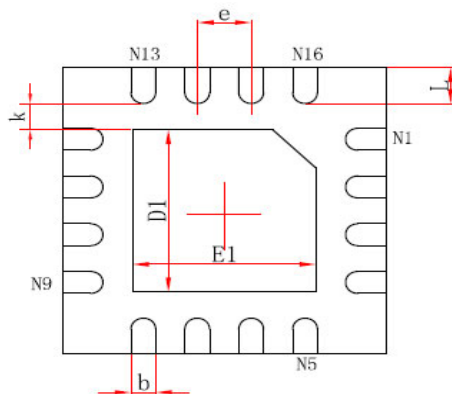
Packaging Mechanical: 16-Pin QFN



Top View



Side View



Bottom View

Symbol	Dimensions In Millimeters		Dimensions In Inches	
	Min.	Max.	Min.	Max.
A	0.700/0.800	0.800/0.900	0.028/0.031	0.031/0.035
A1	0.000	0.050	0.000	0.002
A2	0.153	0.253	0.006	0.010
D	2.900	3.100	0.114	0.122
E	2.900	3.100	0.114	0.122
D1	1.600	1.800	0.063	0.071
E1	1.600	1.800	0.063	0.071
k	0.200MIN.		0.008MIN.	
b	0.180	0.300	0.007	0.012
e	0.500TYP.		0.500TYP.	
L	0.300	0.500	0.012	0.020