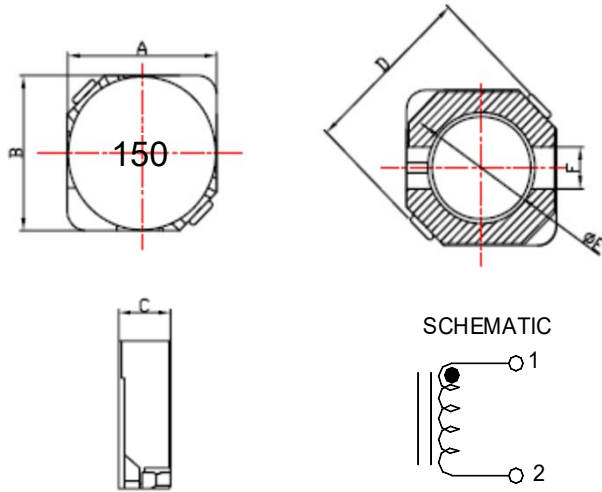


SPECIFICATION FOR APPROVAL

CUSTOMER		CUST P/N.	
ITEM	SMD Power Inductors	Description	CDH6D38N-150M
PART NO.	306-65074	DATE	2020.6.16

(1) DIMENSION(UNIT:mm)



A	6.8 ± 0.5	mm
B	6.8 ± 0.5	mm
C	4.1 (Max)	mm
D	9.5 (Max)	mm
E	Ø5.4 (REF)	mm
F	2.0(REF)	mm
G		mm
H		mm

(2) ELECTRICAL REQUIREMENTS

TEST CONDITION		FREQUENCY	(3) TEST INSTRUMENTS	
			VOLTAGE	LCR-METER:
L	15.0µH±20%	200KHz	0.25V	V HP-4291A WK3260B
L _{DC}	drop 35% typ	200KHz	0.25V	V DC RESISTANCE METER: WK3260B
DCR	0.060Ω (Max)	KHz	V	V CURRENT SOURCE: WK3260B
I _{sat}	2.0A Based on inductance change(ΔL/L0:35%TYP)	200KHz	0.25V	V CURRENT SOURCE: TH2816B+1320
I _{rms}	1.8A MAX(温升为40℃MAX)	200KHz	0.25V	V CURRENT SOURCE: TH2816B+1320
SRF	18MHz(TYP)	200KHz	0.25V	V CURRENT SOURCE: TH2816B+1320
Q	10.0(TYP)	200KHz	0.25V	V GW PUNCTURE INSULATION TESTER TH2816B+1320

(4)TURN: 19Ts(REF)

(5)MATERIAL LIST

ITEM	MATERIAL	DESCRIPTION
1	CORE	DL5 DR6.6×3.7 ^{D-3}
2	COAT	DL5 SRI 6.7×5.7×3.5
3	WIRE	Ø0.25mm×2(2UEW)
4	BASE	C-03004 P4

REMARK:	APPROVED	CHECKED	DRAWN BY
	姜杰文	姜法寶	王艷