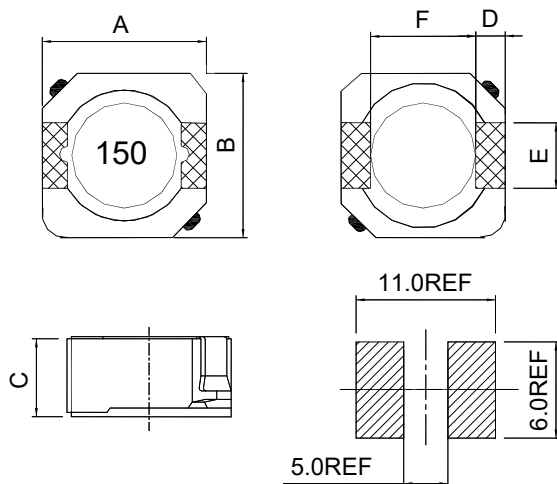


## SPECIFICATION FOR APPROVAL

CUSTOMER		CUST P/N.	
ITEM	SMD Power Inductors	Description	CDH104N-150M
PART NO.	306-96181	DATE	2019.02.22

**(1) DIMENSION(UNIT:mm)**



<b>A</b>	10.5± 0.5	mm
<b>B</b>	10.0 ± 0.5	mm
<b>C</b>	4.0 (Max)	mm
<b>D</b>	1.2 ± 0.15	mm
<b>E</b>	3.0 ± 0.2	mm
<b>F</b>	7.7 ± 0.3	mm
<b>G</b>		mm
<b>H</b>		mm

**(2) ELECTRICAL REQUIREMENTS**

TEST CONDITION		FREQUENCY		(3) TEST INSTRUMENTS	
		VOLTAGE		LCR-METER:	
<b>L</b>	15.0μH±20%	100KHz	0.1V	<b>V</b>	WK3260B TH2816B
<b>DCR</b>	0.050Ω (Max)	KHz	V	<b>V</b>	<b>DC RESISTANCE METER:</b> TH2512
<b>IDC</b>	3.6A (Max)	100KHz	0.1V	<b>V</b>	<b>CURRENT SOURCE:</b> WK3260B

**(4) TURN: 12Ts(REF)**

**(5) MATERIAL LIST**

ITEM	MATERIAL	DESCRIPTION
1	CORE	FH-FG351-DR9.7*3.65T
2	COAT	FH-FG351-RI10*3.3
3	WIRE	Ø0.25mm×2(2UEW-H)
4	BASE	C-TSB104R P1 (鍍錫)

<b>REMARK:</b>	<b>APPROVED</b>	<b>CHECKED</b>	<b>DRAWN BY</b>
	姜杰文	姜法寶	王艷