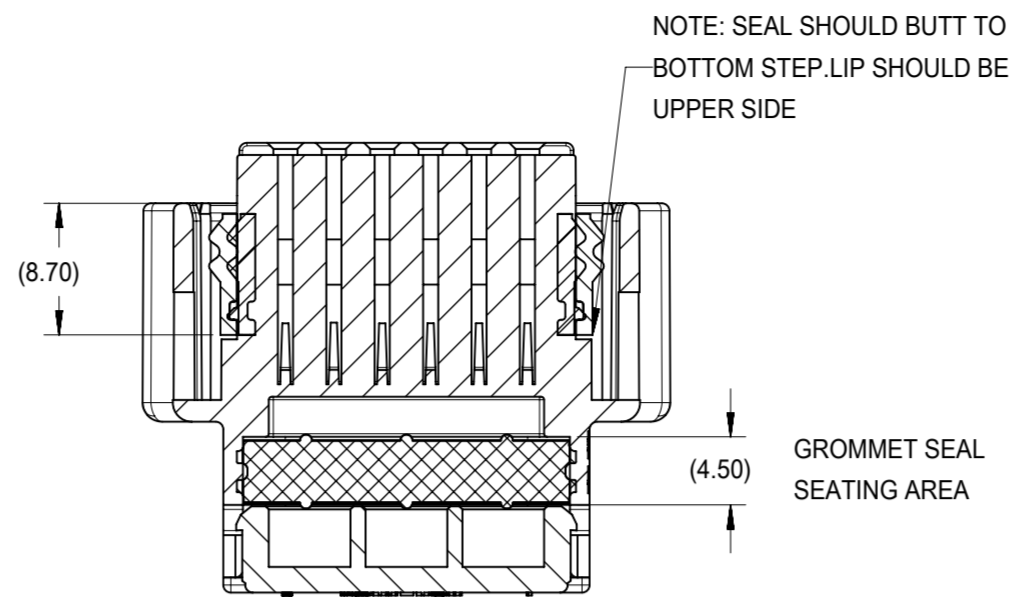


NOTE: GROMMET CAP LOCK SHOULD PROPERLY ENGAGE WITH HOUSING SLOT



SECTION Z-Z

NOTE: SEAL SHOULD BUTT TO BOTTOM STEP. LIP SHOULD BE UPPER SIDE

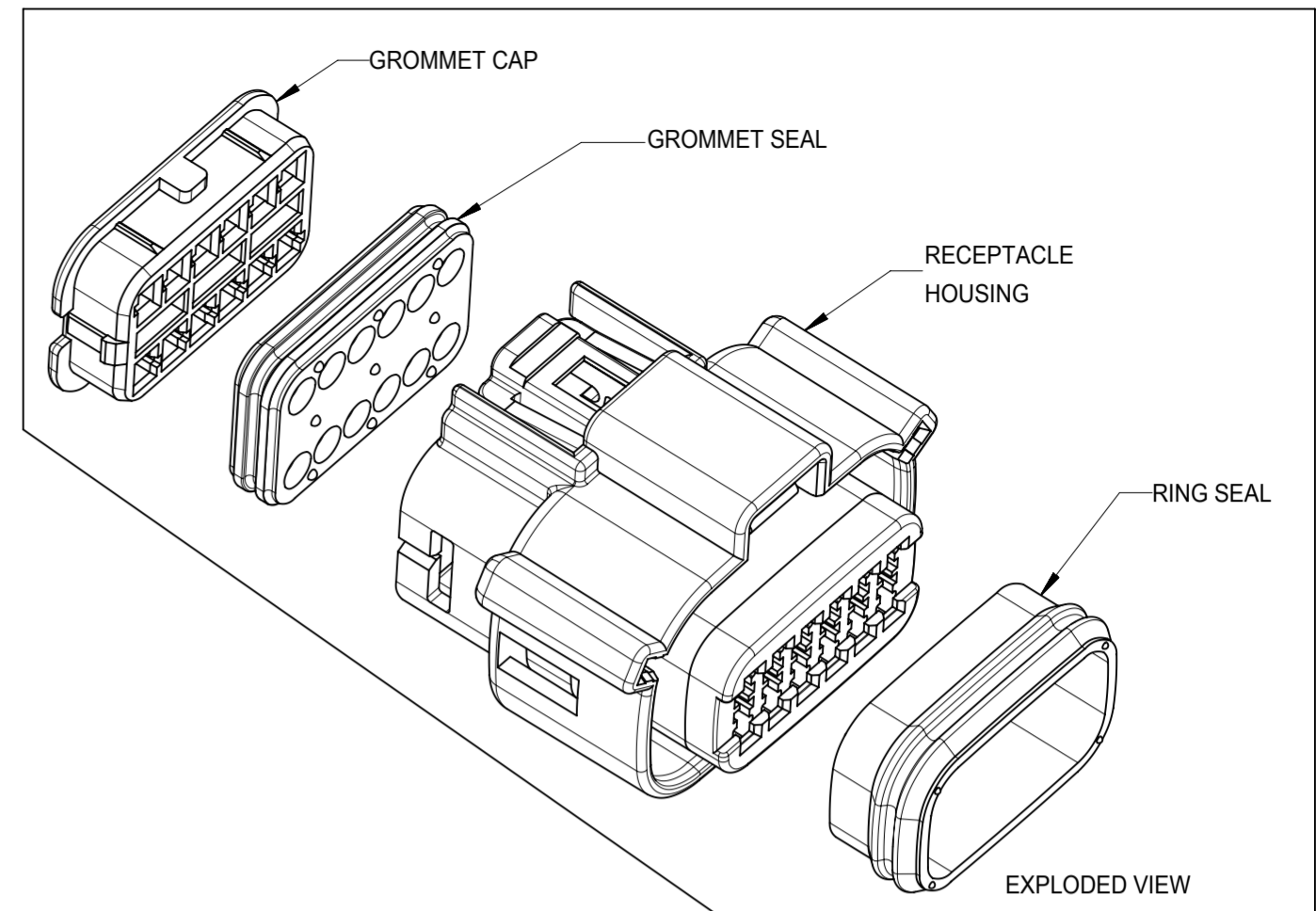


TABLE B

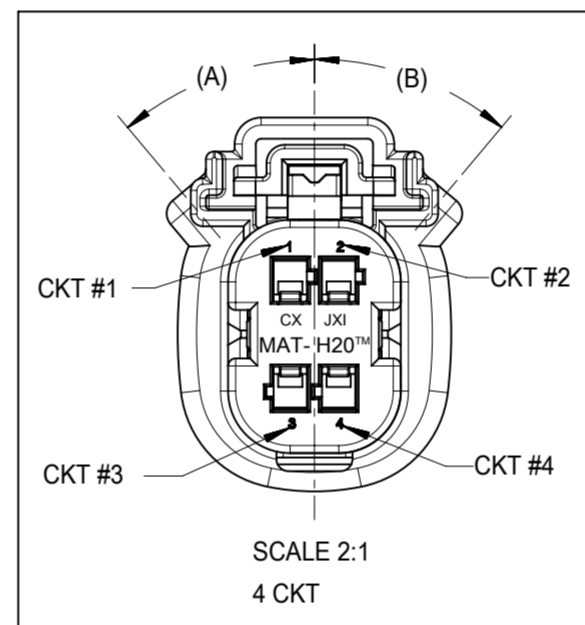
PART #	PART DESCRIPTION	MATERIAL	COLOR
367830009	GROMMET CAP	HB RATED 30% GALSS FILLED NYLON	RESIN: BLACK
367830010	RING SEAL	SILICON RUBBER	RUST RED
367830011	GROMMET SEAL	SILICON RUBBER	LIGHT BLUE
367830008	RECEPTACLE HOUSING	HB RATED 30% GALSS FILLED NYLON	RESIN: BLACK
367830022	RECEPTACLE HOUSING	HB RATED 30% GALSS FILLED NYLON	RESIN: GREY

TABLE A

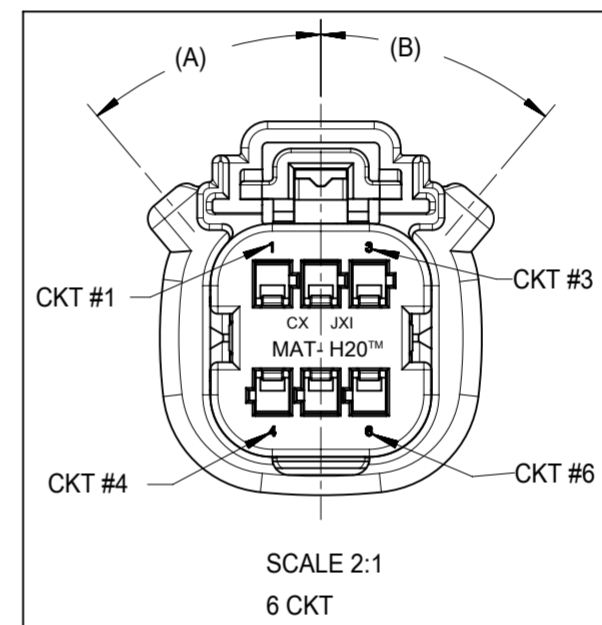
PART#	COLOR	CKT SIZE	KEYING DIMENSION		DIMENSION	TOOLING STATUS
			(A)	(B)		
367920401	BLACK	4	40°	40°	19.54	PROTO TOOLING AVAILABLE
367920601		6	40°	40°	22.87	TO BE TOOLED
367920801		8	60°	60°	27.89	TO BE TOOLED
367921001		10	60°	60°	31.59	TO BE TOOLED
367921201		12	60°	60°	34.89	PRODUCTION TOOLING AVAILABLE
367921206	GREY	12	60°	60°	34.89	PRODUCTION TOOLING AVAILABLE

NOTE:

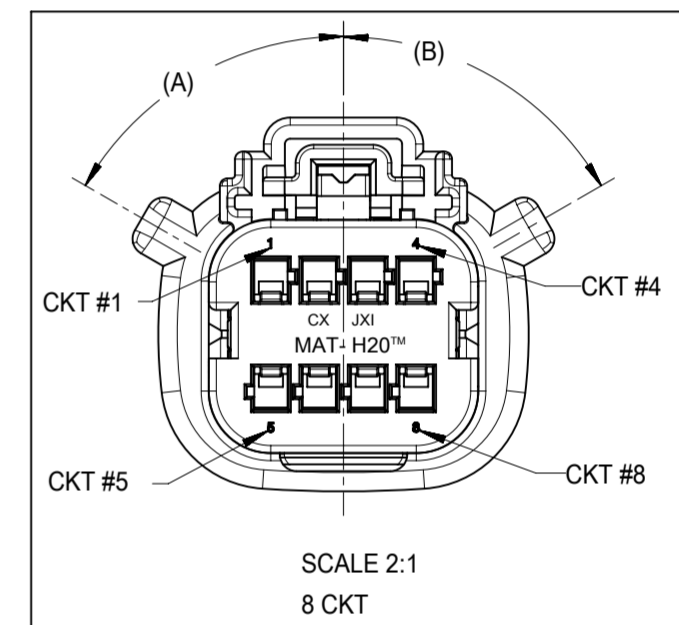
- MATERIAL: SEE TABLE B
- MATES WITH SERIES A) 36783  
B) 36806  
C) 36791
- USE WITH RECEPTACLE TERMINAL SERIES 36799
- COMPLY WITH PACKING SPECIFICATION PK-36783-002
- SHALL CONFIRM TO PRODUCT SPECIFICATION PS-36783-001
- MANUFACTURING DATE CODE WILL BE IDENTIFIED ON BAR CODE LABEL SHIPPED AGAINST EACH ORDER, PARTS WILL BE TRACED AGAINST THIS.
- FEMALE TERMINAL TO BE CRIMPED AND INSERTED INTO RECEPTACLE HOUSING.
- ALL DIMENSIONS SHOWN ARE APPLICABLE AS RECEIVED INTO CUSTOMER PLACE.
- MOLEX OWNS RESPONSIBILITY AS SHIPPED FROM MOLEX. ASSEMBLY OF RECEPTACLE ON TO MATING INLINE HARNESS ALONG WITH IT'S FUNCTIONALITY COMES UNDER CUSTOMER SCOPE.
- TO VOID THE REQUIRED CKT, CUSTOMER HAS TO USE CAVITY PLUG SERIES 36804, REFER DOCUMENT # AS-36783-001
- FOR PRODUCT TOOLING STATUS REFER TABLE A
- QUANTITY OF COMPONENTS PER RECEPTACLE ASSEMBLY WILL BE ONE EACH.



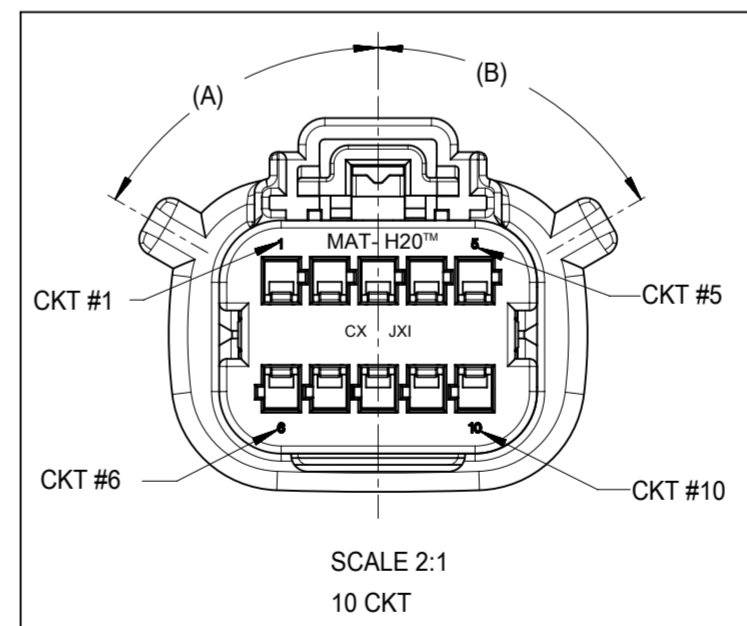
SCALE 2:1  
4 CKT



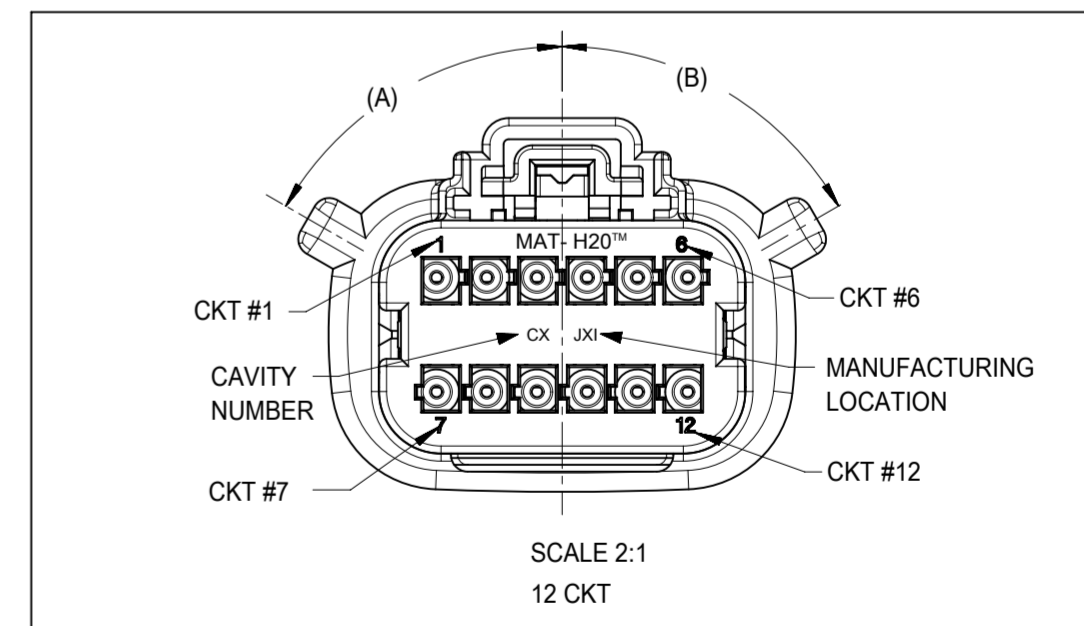
SCALE 2:1  
6 CKT



SCALE 2:1  
8 CKT



SCALE 2:1  
10 CKT



SCALE 2:1  
12 CKT

SYMBOLS		THIS DRAWING CONTAINS INFORMATION THAT IS PROPRIETARY TO MOLEX ELECTRONIC TECHNOLOGIES, LLC AND SHOULD NOT BE USED WITHOUT WRITTEN PERMISSION	
∅	= 0	DIMENSION UNITS	SCALE
∅	= 0	mm	1:1
∅	= 0	CURRENT REV DESC: MOLEX TRADE MARK 'MAT-H20' LOGO HAVE UPDATED	
∅	= 0	GENERAL TOLERANCES (UNLESS SPECIFIED)	
∅	= 0	ANGULAR TOL ± 0.5°	
∅	= 0	EC NO: 634933	
∅	= 0	DRWN: RGV 2020/02/20	
∅	= 0	CHK'D: RGV 2020/03/30	
∅	= 0	APPR: SNAYAK01 2020/04/27	
∅	= 0	INITIAL REVISION:	
∅	= 0	DRWN: MPPETKAR 2012/07/12	
∅	= 0	APPR: VUTTARKAR 2012/07/17	
∅	= 0	DRAFT WHERE APPLICABLE MUST REMAIN WITHIN DIMENSIONS	THIRD ANGLE PROJECTION
∅	= 0	DRAWING	SERIES
∅	= 0	A2-SIZE	36792
DOCUMENT STATUS		DOCUMENT NUMBER	DOC TYPE   DOC PART   REVISION
P1	RELEASE DATE 2020/04/27 11:38:25	SD-36792-001	PSD 001 A3
MATERIAL NUMBER		CUSTOMER	SHEET NUMBER
SEE TABLE - A		GENERAL MARKET	1 OF 1



MX120G DUAL ROW  
3.2 RECEPTACLE ASSY SEALED SYSTEM

PRODUCT CUSTOMER DRAWING