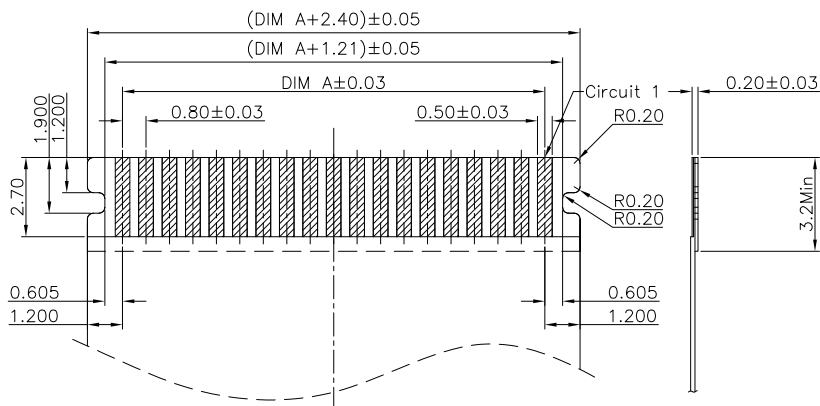
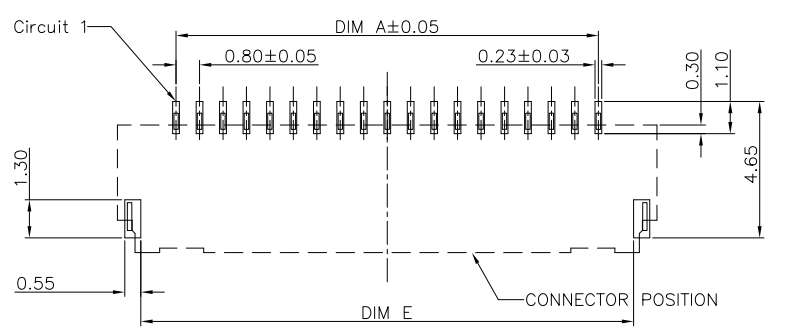
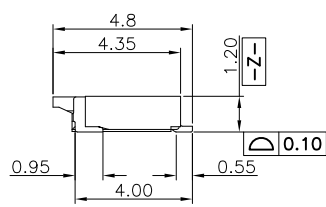
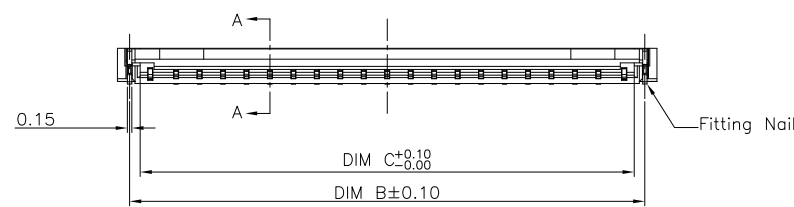


- Note:
- Material:
 - Housing: thermoplastic high temp.UL94V-0; Color: black.
 - Latch: thermoplastic high temp.UL94V-0; Color: natural.
 - Terminal: copper alloy.
 - Fitting Nail: copper alloy.
 - Finsh:
 - Terminal:
 - Contact area:40u"Min Nickel Under plating overall; 1:Gold flsh plating C:90u"Min matte tin plating overall
 - Solder area: 40u"Min Nickel Under plating overall; 1:Gold flsh plating C:90u"Min matte tin plating overall
 - Fitting Nail:
 - 40u"Min Nickel Under plating overall; 90u"Min matte tin plating overall
 - Product must comply HF RoHS specification.

4. Product No:
 AFB02-S
 CKTS ** F * * - **
 CONTACTS TYPE F:Lower
 PLATING 1:Gold flash C:Matte-Tin 90-120u"
 PACKING A:Tape&Reel C:Tube
 REMARKS HF:Halogen free

CKTS	DIM A	DIM B	DIM C	DIM D	DIM E
4	2.40	5.57	4.85	6.40	4.80
5	3.20	6.37	5.65	7.20	5.60
6	4.00	7.17	6.45	8.00	6.40
7	4.80	7.97	7.25	8.80	7.20
8	5.60	8.77	8.05	9.60	8.00
9	6.40	9.57	8.85	10.40	8.80
10	7.20	10.37	9.65	11.20	9.60
11	8.00	11.17	10.45	12.00	10.40
12	8.80	11.97	11.25	12.80	11.20
13	9.60	12.77	12.05	13.60	12.00
14	10.40	13.57	12.85	14.40	12.80
15	11.20	14.37	13.65	15.20	13.60
16	12.00	15.17	14.45	16.00	14.40
17	12.80	15.97	15.25	16.80	15.20
18	13.60	16.77	16.05	17.60	16.00
19	14.40	17.57	16.85	18.40	16.80
20	15.20	18.37	17.65	19.20	17.60
21	16.00	19.17	18.45	20.00	18.40
22	16.80	19.97	19.25	20.80	19.20
23	17.60	20.77	20.05	21.60	20.00
24	18.40	21.57	20.85	22.40	20.80
25	19.20	22.37	21.65	23.20	21.60
26	20.00	23.17	22.45	24.00	22.40
27	20.80	23.97	23.25	24.80	23.20
28	21.60	24.77	24.05	25.60	24.00
29	22.40	25.57	24.85	26.40	24.80
30	23.20	26.37	25.65	27.20	25.60
31	24.00	27.17	26.45	28.00	26.40
32	24.80	27.97	27.25	28.80	27.20

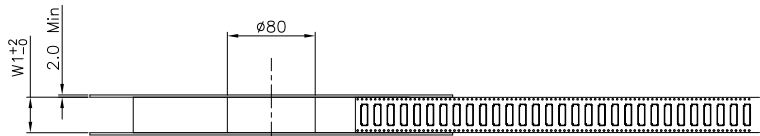


RECOMMENDED P.C.B PATTERN LAYOUT

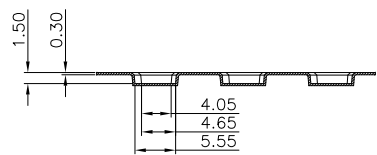
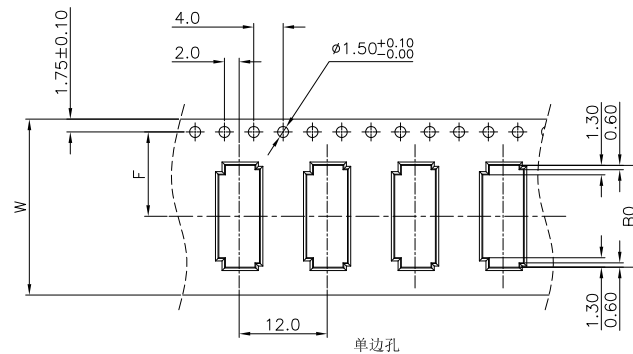
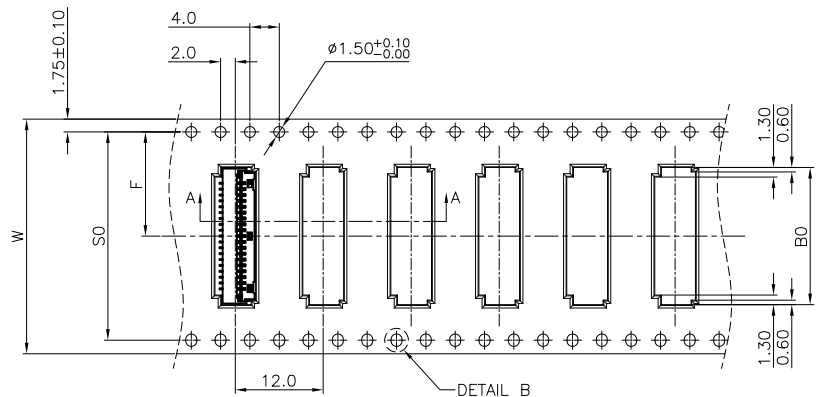
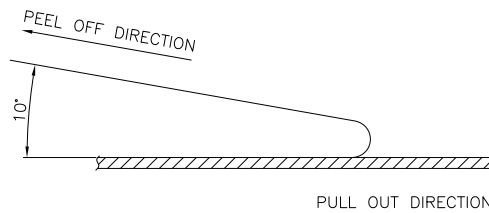
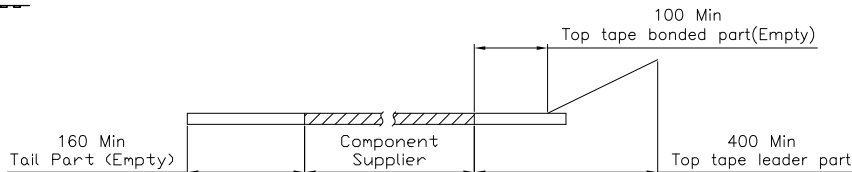
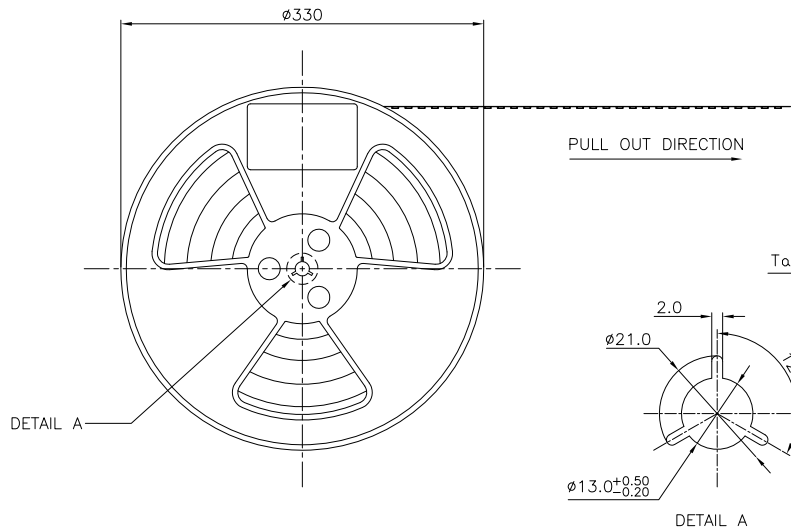
RECOMMENDED FPC/FFC DIMENSION

CUSTOMER DRAWING		深圳市钜硕电子有限公司 SHENZHEN JUSHUO ELECTRONIC CO.,LTD	
Tolerance Unspecified (未注公差)	Size (图幅): A4	Product Name (产品名称): 0.8Pitch H=1.2 FPC Easy-on R/A Type2 SMT CONN	
0.0 ±0.15 0° ±5°	Unit(单位): MM	Product No(产品料号): AFB02-S**F**-*	
0.00 ±0.10 0° ±3°	Scale(比例): 1:1	Designer(设计): Allan	Checked(审核): Allan
0.000 ±0.05 0° ±1°	Page(页数): 1 OF 1	Approved(核准): Chu.	
Project View (投影视角)	Rev(版本): A		

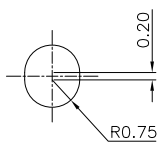
Rev 版本	Change Description 变更内容	Date 日期	Revisor 制/修订人
A	初版发行	2017/05/09	Allan



- NOTES:
1. 10 SPROCKET HOLE PITCH CUMULATIVE TOLERANCE.±0.20mm
 2. CARRIER CAMBER NOT TO EXCEED 1mm IN 250mm.
 3. ALL DIMENSIONS MEET EIA-481-D REQUIREMENTS.
 4. MATERIAL: BLACK ANTI-STATIC POLYSTYRENE.
 5. THICKNESS: 0.30 ± 0.05 mm.
 6. PACKING LENGTH PER 13" REEL : 36.60METERS.
 7. COMPONENT LOAD PER 13" REEL : 3000PCS.
 8. PEELING OFF FORCE OF TOP TAPE 0.1N~0.7N(10.2gf~71.4gf).



SECTION A-A
SCALE 1:1



DETAIL B
SCALE 5:1

CKTS	B0±0.10	W	W1	F	SO±0.10
4	6.70	16+0.3/-0	16.4	7.5±0.10	单边孔
5	7.50	24+0.3/-0	24.4	11.5±0.10	
6	8.30				
7	9.10				
8	9.90				
9	10.70				
10	11.50				
11	12.30				
12	13.10				32±0.30
13	13.90				
14	14.70				
15	15.50				
16	16.30				
17	17.10				
18	17.90				
19	18.70	44±0.30	44.4	20.2±0.15	
20	19.50				
21	20.30				
22	21.10				
23	21.90				
24	22.70				
25	23.50				
26	24.30				
27	25.10				
28	25.90				
29	26.70				
30	27.50				
31	28.30				
32	29.10				

CLASSIFICATION DIMENSION (尺寸类别):
 FAT (首次检验): ☉ To ☉
 ■ MARK IS MAJOR DIM (重点尺寸标示)
 *☉ MARK IS CRITICAL DIM (Cpk&Cp标示)

Tolerance Unspecified (未注公差)	Size (图幅): A4
0.0 ±0.10 0° ±3°	Unit (单位): MM
0.00 ±0.05 0° 0° ±2°	Scale (比例): 1:1
0.000 ±0.02 0° 0° ±1°	Page (页数): 1 OF 1
Project View (投影视角): 第三角	Rev (版本): 1.0

深圳市钜硕电子有限公司
SHENZHEN JUSHUO ELECTRONIC CO.,LTD

Product Name (产品名称):
 0.8Pitch H=1.2 FPC 掀盖卧式2代SMT型. 载带

Product No (产品料号):
AFB02-SF**-****

Drawing No (图面编号):
DNE00*-1**

Date (日期):
2017/02/21

Designer (设计):
Allan

Checked (审核):

Approved (核准):

Rev 版本	Change Description 变更内容	Date 日期	Revisor 制/修订人
1.0	初版发行	2017/02/21	Allan