



Is Now Part of



**ON Semiconductor®**

To learn more about ON Semiconductor, please visit our website at  
[www.onsemi.com](http://www.onsemi.com)

Please note: As part of the Fairchild Semiconductor integration, some of the Fairchild orderable part numbers will need to change in order to meet ON Semiconductor's system requirements. Since the ON Semiconductor product management systems do not have the ability to manage part nomenclature that utilizes an underscore (\_), the underscore (\_) in the Fairchild part numbers will be changed to a dash (-). This document may contain device numbers with an underscore (\_). Please check the ON Semiconductor website to verify the updated device numbers. The most current and up-to-date ordering information can be found at [www.onsemi.com](http://www.onsemi.com). Please email any questions regarding the system integration to [Fairchild\\_questions@onsemi.com](mailto:Fairchild_questions@onsemi.com).

ON Semiconductor and the ON Semiconductor logo are trademarks of Semiconductor Components Industries, LLC dba ON Semiconductor or its subsidiaries in the United States and/or other countries. ON Semiconductor owns the rights to a number of patents, trademarks, copyrights, trade secrets, and other intellectual property. A listing of ON Semiconductor's product/patent coverage may be accessed at [www.onsemi.com/site/pdf/Patent-Marking.pdf](http://www.onsemi.com/site/pdf/Patent-Marking.pdf). ON Semiconductor reserves the right to make changes without further notice to any products herein. ON Semiconductor makes no warranty, representation or guarantee regarding the suitability of its products for any particular purpose, nor does ON Semiconductor assume any liability arising out of the application or use of any product or circuit, and specifically disclaims any and all liability, including without limitation special, consequential or incidental damages. Buyer is responsible for its products and applications using ON Semiconductor products, including compliance with all laws, regulations and safety requirements or standards, regardless of any support or applications information provided by ON Semiconductor. "Typical" parameters which may be provided in ON Semiconductor data sheets and/or specifications can and do vary in different applications and actual performance may vary over time. All operating parameters, including "Typicals" must be validated for each customer application by customer's technical experts. ON Semiconductor does not convey any license under its patent rights nor the rights of others. ON Semiconductor products are not designed, intended, or authorized for use as a critical component in life support systems or any FDA Class 3 medical devices or medical devices with a same or similar classification in a foreign jurisdiction or any devices intended for implantation in the human body. Should Buyer purchase or use ON Semiconductor products for any such unintended or unauthorized application, Buyer shall indemnify and hold ON Semiconductor and its officers, employees, subsidiaries, affiliates, and distributors harmless against all claims, costs, damages, and expenses, and reasonable attorney fees arising out of, directly or indirectly, any claim of personal injury or death associated with such unintended or unauthorized use, even if such claim alleges that ON Semiconductor was negligent regarding the design or manufacture of the part. ON Semiconductor is an Equal Opportunity/Affirmative Action Employer. This literature is subject to all applicable copyright laws and is not for resale in any manner.

# FOD2741A, FOD2741B, FOD2741C

## Optically Isolated Error Amplifier

### Features

- Optocoupler, precision reference and error amplifier in single package
- 2.5V reference
- CTR 100% to 200%
- 5,000V RMS isolation
- UL approved E90700, Volume 2  
CSA approval 1296837  
VDE approval 40002463  
BSI approval 8702, 8703
- Low temperature coefficient 50ppm/°C max.
- FOD2741A: tolerance 0.5%  
FOD2741B: tolerance 1%  
FOD2741C: tolerance 2%

### Applications

- Power supplies regulation
- DC to DC converters

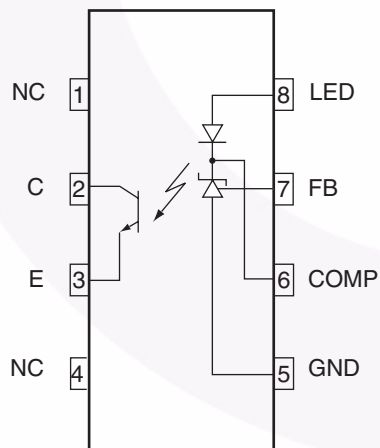
### Description

The FOD2741 Optically Isolated Amplifier consists of the popular KA431 precision programmable shunt reference and an optocoupler. The optocoupler is a gallium arsenide (GaAs) light emitting diode optically coupled to a silicon phototransistor. It comes in 3 grades of reference voltage tolerance = 2%, 1%, and 0.5%.

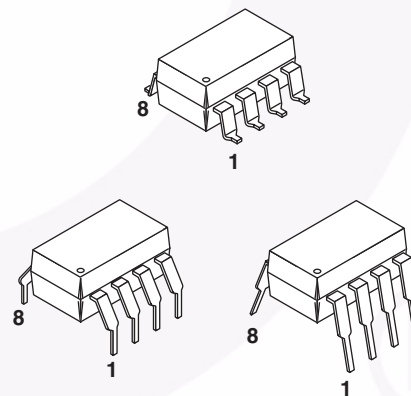
The Current Transfer Ratio (CTR) ranges from 100% to 200%. It also has an outstanding temperature coefficient of 50 ppm/°C. It is primarily intended for use as the error amplifier/reference voltage/optocoupler function in isolated AC to DC power supplies and DC/DC converters.

When using the FOD2741, power supply designers can reduce the component count and save space in tightly packaged designs. The tight tolerance reference eliminates the need for adjustments in many applications. The device comes in a 8-pin dip white package.

### Functional Block Diagram



### Package Outlines

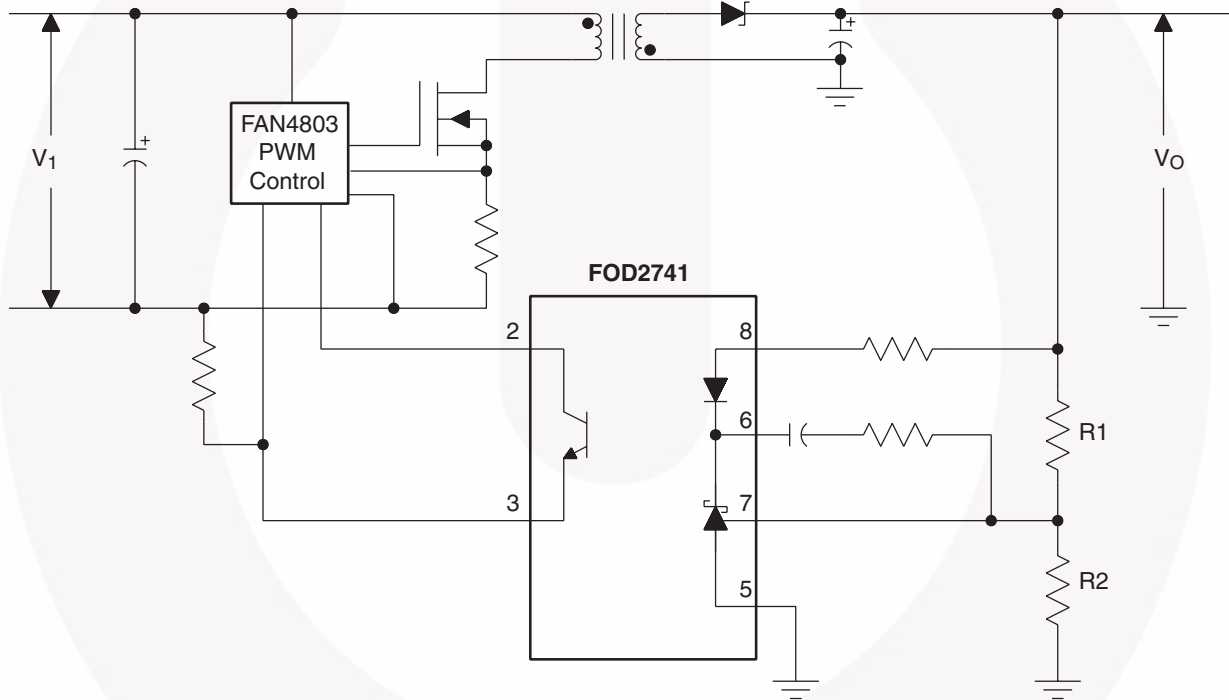


### Pin Definitions

| Pin Number | Pin Name | Pin Description   |
|------------|----------|---|
| 1          | NC       | Not connected   |
| 2          | C        | Phototransistor Collector   |
| 3          | E        | Phototransistor Emitter   |
| 4          | NC       | Not connected   |
| 5          | GND      | Ground  |
| 6          | COMP     | Error Amplifier Compensation. This pin is the output of the error amplifier.* |
| 7          | FB       | Voltage Feedback. This pin is the inverting input to the error amplifier      |
| 8          | LED      | Anode LED. This pin is the input to the light emitting diode.                 |

\*The compensation network must be attached between pins 6 and 7.

### Typical Application



**Absolute Maximum Ratings** ( $T_A = 25^\circ\text{C}$  unless otherwise specified)

Stresses exceeding the absolute maximum ratings may damage the device. The device may not function or be operable above the recommended operating conditions and stressing the parts to these levels is not recommended. In addition, extended exposure to stresses above the recommended operating conditions may affect device reliability. The absolute maximum ratings are stress ratings only.

| Symbol           | Parameter                                   | Value           | Units            |
|------------------|---|-----------------|------------------|
| $T_{\text{STG}}$ | Storage Temperature                         | -40 to +125     | $^\circ\text{C}$ |
| $T_{\text{OPR}}$ | Operating Temperature                       | -40 to +85      | $^\circ\text{C}$ |
| $T_{\text{SOL}}$ | Lead Solder Temperature                     | 260 for 10 sec. | $^\circ\text{C}$ |
| $V_{\text{LED}}$ | Input Voltage                               | 37              | V                |
| $I_{\text{LED}}$ | Input DC Current                            | 20              | mA               |
| $V_{\text{CEO}}$ | Collector-Emitter Voltage                   | 30              | V                |
| $V_{\text{ECO}}$ | Emitter-Collector Voltage                   | 7               | V                |
| $I_{\text{C}}$   | Collector Current                           | 50              | mA               |
| PD1              | Input Power Dissipation <sup>(1)</sup>      | 145             | mW               |
| PD2              | Transistor Power Dissipation <sup>(2)</sup> | 85              | mW               |
| PD3              | Total Power Dissipation <sup>(3)</sup>      | 145             | mW               |

**Notes:**

1. Derate linearly from  $25^\circ\text{C}$  at a rate of  $2.42\text{mW}/^\circ\text{C}$
2. Derate linearly from  $25^\circ\text{C}$  at a rate of  $1.42\text{mW}/^\circ\text{C}$ .
3. Derate linearly from  $25^\circ\text{C}$  at a rate of  $2.42\text{mW}/^\circ\text{C}$ .

**Electrical Characteristics** ( $T_A = 25^\circ\text{C}$  unless otherwise specified)**Input Characteristics**

| Symbol                                   | Parameter   | Test Conditions   | Device   | Min.   | Typ.  | Max.  | Unit          |      |
|--|---|---|----------|--|-------|-------|---------------|------|
| $V_F$                                    | LED Forward Voltage   | $I_{LED} = 10\text{mA}$ , $V_{COMP} = V_{FB}$ (Fig. 1)                                  | All      |  |       | 1.5   | V             |      |
| $V_{REF}$                                | Reference Voltage   | $I_{LED} = 10\text{mA}$ , $V_{COMP} = V_{FB}$   | FOD2741A | 2.482  | 2.495 | 2.508 | V             |      |
|  |   |   | FOD2741B | 2.470  | 2.495 | 2.520 | V             |      |
|  |   |   | FOD2741C | 2.450  | 2.500 | 2.550 | V             |      |
| $V_{REF(DEV)}^{(4)}$                     | Deviation of $V_{REF}$ Over Temperature                           | $T_A = -25^\circ\text{C}$ to $+85^\circ\text{C}$  | All      |  | 4.5   | 17    | mV            |      |
| $\frac{\Delta V_{REF}}{\Delta V_{COMP}}$ | Ratio of $V_{REF}$ Variation to the Output of the Error Amplifier | $I_{LED} = 10\text{mA}$   | All      | $\Delta V_{COMP} = 10\text{V}$ to $V_{REF}$    |       | -1.0  | -2.7          | mV/V |
|  |   |   |          | $\Delta V_{COMP} = 36\text{V}$ to $10\text{V}$ |       | -0.5  | -2.0          |      |
| $I_{REF}$                                | Feedback Input Current  | $I_{LED} = 10\text{mA}$ , $R_1 = 10\text{k}\Omega$ (Fig. 3)                             | All      |  | 1.5   | 4     | $\mu\text{A}$ |      |
| $I_{REF(DEV)}^{(4)}$                     | Deviation of $I_{REF}$ Over Temperature                           | $T_A = -25^\circ\text{C}$ to $+85^\circ\text{C}$  | All      |  | 0.4   | 1.2   | $\mu\text{A}$ |      |
| $I_{LED(MIN)}$                           | Minimum Drive Current   | $V_{COMP} = V_{FB}$ (Fig. 1)  | All      |  | 0.45  | 1.0   | mA            |      |
| $I_{(OFF)}$                              | Off-state Error Amplifier Current                                 | $V_{LED} = 37\text{V}$ , $V_{FB} = 0$ (Fig. 4)  | All      |  | 0.05  | 1.0   | $\mu\text{A}$ |      |
| $ Z_{OUT} $                              | Error Amplifier Output impedance <sup>(5)</sup>                   | $V_{COMP} = V_{REF}$ , $I_{LED} = 1\text{mA}$ to $20\text{mA}$ , $f \geq 1.0\text{kHz}$ | All      |  | 0.15  | 0.5   | $\Omega$      |      |

**Output Characteristics**

| Symbol     | Parameter                           | Test Conditions                | Min. | Typ. | Max. | Unit |
|------------|-------------------------------------|--------------------------------|------|------|------|------|
| $I_{CEO}$  | Collector Dark Current              | $V_{CE} = 10\text{V}$ (Fig. 5) |      |      | 50   | nA   |
| $BV_{ECO}$ | Emitter-Collector Voltage Breakdown | $I_E = 100\mu\text{A}$         | 7    |      |      | V    |
| $BV_{CEO}$ | Collector-Emitter Voltage Breakdown | $I_C = 1.0\text{mA}$           | 70   |      |      | V    |

**Transfer Characteristics**

| Symbol        | Parameter                            | Test Conditions   | Min. | Typ. | Max. | Unit |
|---------------|--------------------------------------|---|------|------|------|------|
| CTR           | Current Transfer Ratio               | $I_{LED} = 10\text{mA}$ , $V_{COMP} = V_{FB}$ , $V_{CE} = 5\text{V}$ (Fig. 6) | 100  |      | 200  | %    |
| $V_{CE(SAT)}$ | Collector-Emitter Saturation Voltage | $I_{LED} = 10\text{mA}$ , $V_{COMP} = V_{FB}$ , $I_C = 2.5\text{mA}$ (Fig. 6) |      |      | 0.4  | V    |

**Notes:**

4. The deviation parameters  $V_{REF(DEV)}$  and  $I_{REF(DEV)}$  are defined as the differences between the maximum and minimum values obtained over the rated temperature range. The average full-range temperature coefficient of the reference input voltage,  $\Delta V_{REF}$ , is defined as:

$$|\Delta V_{REF}|(\text{ppm}/^\circ\text{C}) = \frac{\{V_{REF(DEV)}/V_{REF}(T_A = 25^\circ\text{C})\} \times 10^6}{\Delta T_A}$$

where  $\Delta T_A$  is the rated operating free-air temperature range of the device.

5. The dynamic impedance is defined as  $|Z_{OUT}| = \Delta V_{COMP} / \Delta I_{LED}$ . When the device is operating with two external resistors (see Figure 2), the total dynamic impedance of the circuit is given by:

$$|Z_{OUT, TOT}| = \frac{\Delta V}{\Delta I} \approx |Z_{OUT}| \times \left[ 1 + \frac{R_1}{R_2} \right]$$

**Electrical Characteristics** (Continued) ( $T_A = 25^\circ\text{C}$  unless otherwise specified)**Isolation Characteristics**

| Symbol    | Parameter                               | Test Conditions   | Min. | Typ.      | Max. | Unit          |
|-----------|---|---|------|-----------|------|---------------|
| $I_{I-O}$ | Input-Output Insulation Leakage Current | RH = 45%, $T_A = 25^\circ\text{C}$ , $t = 5\text{s}$ ,<br>$V_{I-O} = 3000\text{ VDC}^{(6)}$ |      |           | 1.0  | $\mu\text{A}$ |
| $V_{ISO}$ | Withstand Insulation Voltage            | RH $\leq 50\%$ , $T_A = 25^\circ\text{C}$ , $t = 1\text{ min.}^{(6)}$                       | 5000 |           |      | Vrms          |
| $R_{I-O}$ | Resistance (Input to Output)            | $V_{I-O} = 500\text{ VDC}^{(6)}$  |      | $10^{12}$ |      | $\Omega$      |

**Switching Characteristics**

| Symbol | Parameter                                     | Test Conditions  | Min. | Typ. | Max. | Unit                    |
|--------|---|--|------|------|------|-------------------------|
| BW     | Bandwidth                                     | (Fig. 7)   |      | 50   |      | kHZ                     |
| CMH    | Common Mode Transient Immunity at Output HIGH | $I_{LED} = 0\text{mA}$ , $ V_{cm}  = 10\text{ V}_{PP}$ ,<br>$R_L = 2.2\text{k}\Omega^{(7)}$ (Fig. 8)   |      | 1.0  |      | $\text{kV}/\mu\text{s}$ |
| CML    | Common Mode Transient Immunity at Output LOW  | $(I_{LED} = 1\text{mA})$ , $ V_{cm}  = 10\text{ V}_{PP}$ ,<br>$R_L = 2.2\text{k}\Omega^{(7)}$ (Fig. 8) |      | 1.0  |      | $\text{kV}/\mu\text{s}$ |

**Notes:**

- Device is considered as a two terminal device: Pins 1, 2, 3 and 4 are shorted together and Pins 5, 6, 7 and 8 are shorted together.
- Common mode transient immunity at output high is the maximum tolerable (positive)  $dV_{cm}/dt$  on the leading edge of the common mode impulse signal,  $V_{cm}$ , to assure that the output will remain high. Common mode transient immunity at output low is the maximum tolerable (negative)  $dV_{cm}/dt$  on the trailing edge of the common pulse signal,  $V_{cm}$ , to assure that the output will remain low.

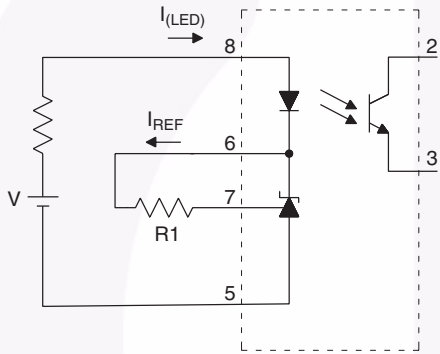
### Test Circuits



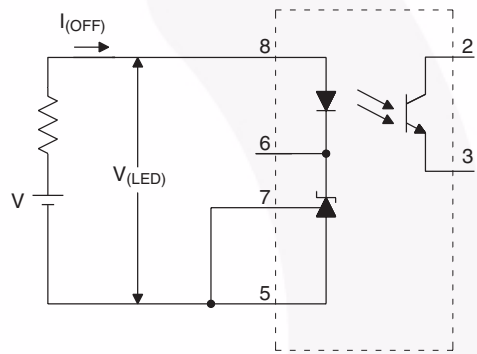
**Figure 1.  $V_{REF}$ ,  $V_F$ ,  $I_{LED}$  (min.) Test Circuit**



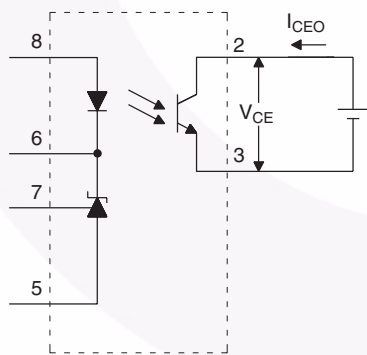
**Figure 2.  $\Delta V_{REF} / \Delta V_{COMP}$  Test Circuit**



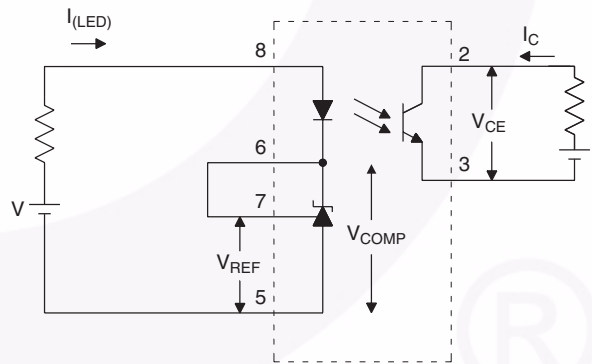
**Figure 3.  $I_{REF}$  Test Circuit**



**Figure 4.  $I_{(OFF)}$  Test Circuit**



**Figure 5.  $I_{CEO}$  Test Circuit**



**Figure 6.  $CTR$ ,  $V_{CE(sat)}$  Test Circuit**

Test Circuits (Continued)



Figure 7. Frequency Response Test Circuit.

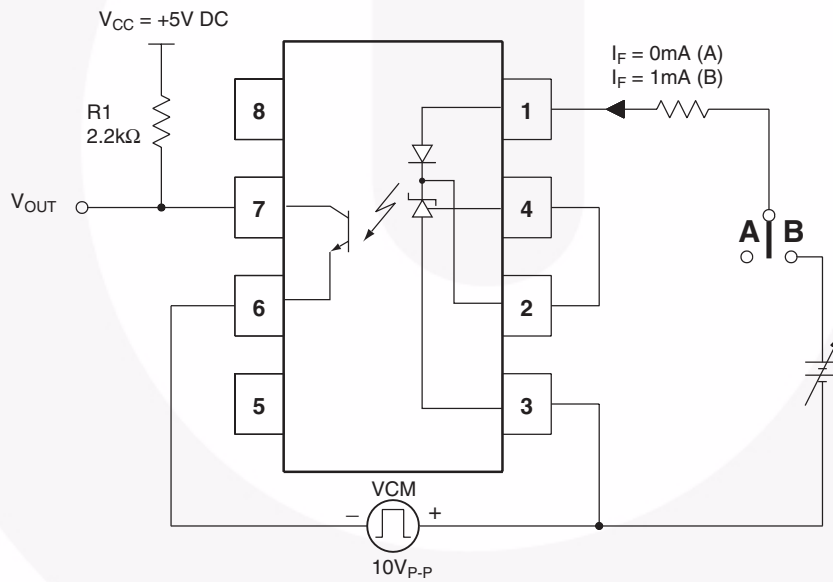
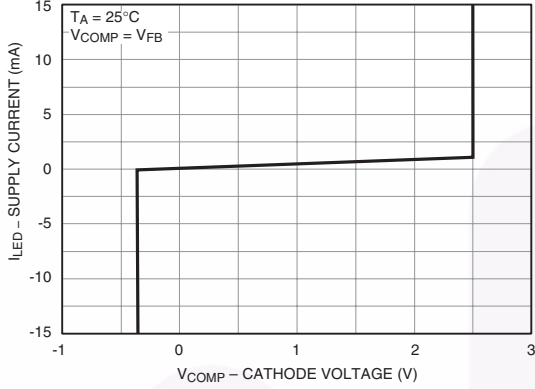


Figure 8. CMH and CML Test Circuit

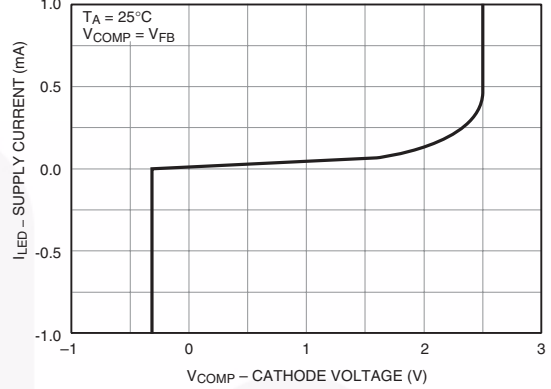


## Typical Performance Curves

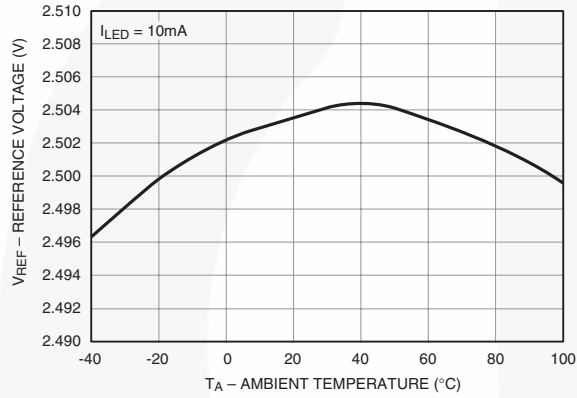
**Fig. 9a – LED Current vs. Cathode Voltage**



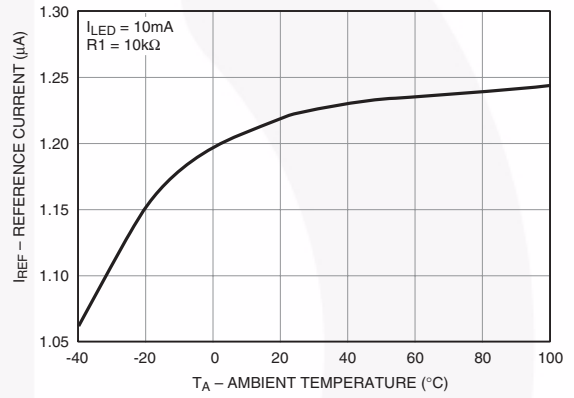
**Fig. 9b – LED Current vs. Cathode Voltage**



**Fig. 10 – Reference Voltage vs. Ambient Temperature**



**Fig. 11 – Reference Current vs. Ambient Temperature**



**Fig. 12 – Off-State Current vs. Ambient Temperature**



**Fig. 13 – Forward Current vs. Forward Voltage**



## Typical Performance Curves (Continued)

**Fig. 14 – Dark Current vs. Ambient Temperature**



**Fig. 15 – Collector Current vs. Ambient Temperature**



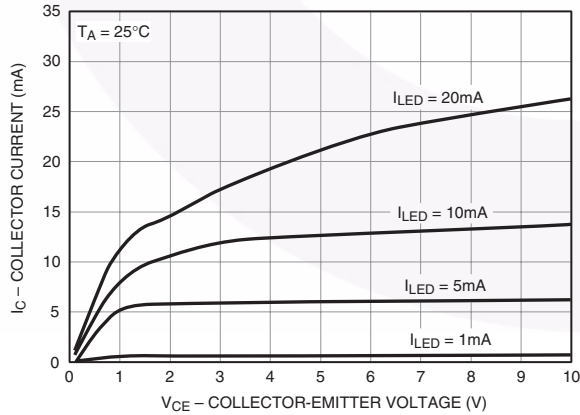
**Fig. 16 – Current Transfer Ratio vs. LED Current**



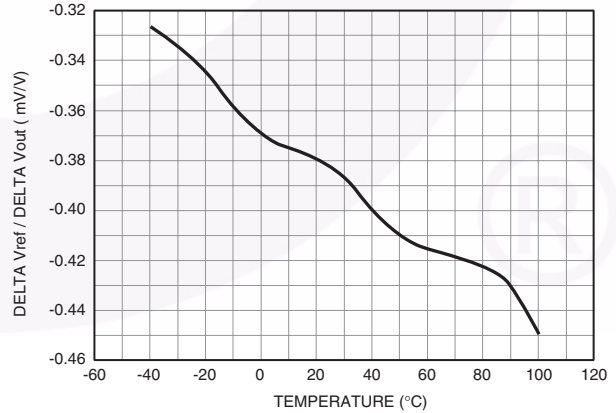
**Fig. 17 – Saturation Voltage vs. Ambient Temperature**



**Fig. 18 – Collector Current vs. Collector Voltage**

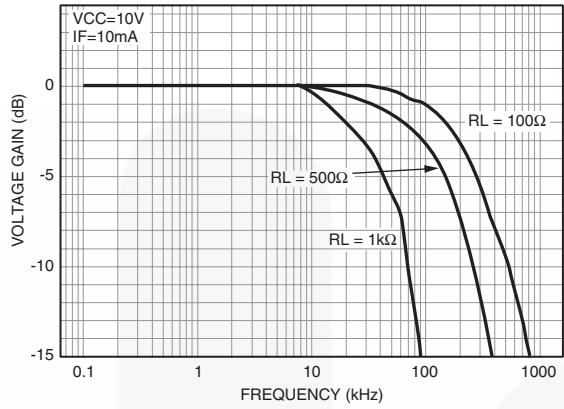


**Fig. 19 – Rate of Change  $V_{ref}$  to  $V_{out}$  vs. Temperature**



### Typical Performance Curves (Continued)

Fig. 20 – Voltage Gain vs. Frequency



## The FOD2741

The FOD2741 is an optically isolated error amplifier. It incorporates three of the most common elements necessary to make an isolated power supply, a reference voltage, an error amplifier, and an optocoupler. It is functionally equivalent to the popular KA431 shunt voltage regulator plus the CNY17F-X optocoupler.

### Powering the Secondary Side

The LED pin in the FOD2741 powers the secondary side, and in particular provides the current to run the LED. The actual structure of the FOD2741 dictates the minimum voltage that can be applied to the LED pin: The error amplifier output has a minimum of the reference voltage, and the LED is in series with that. Minimum voltage applied to the LED pin is thus  $2.5V + 1.5V = 4.0V$ . This voltage can be generated either directly from the output of the converter, or else from a slaved secondary winding. The secondary winding will not affect regulation, as the input to the FB pin may still be taken from the output winding.

The LED pin needs to be fed through a current limiting resistor. The value of the resistor sets the amount of current through the LED, and thus must be carefully selected in conjunction with the selection of the primary side resistor.

### Feedback

Output voltage of a converter is determined by selecting a resistor divider from the regulated output to the FB pin. The FOD2741 attempts to regulate its FB pin to the reference voltage, 2.5V. The ratio of the two resistors should thus be:

$$\frac{R_{TOP}}{R_{BOTTOM}} = \frac{V_{OUT}}{V_{REF}} - 1$$

The absolute value of the top resistor is set by the input offset current of  $5.2\mu A$ . To achieve 0.5% accuracy, the resistance of  $R_{TOP}$  should be:

$$\frac{V_{OUT} - 2.5}{R_{TOP}} > 1040\mu A$$

### Compensation

The compensation pin of the FOD2741 provides the opportunity for the designer to design the frequency response of the converter. A compensation network may be placed between the COMP pin and the FB pin. In typical low-bandwidth systems, a  $0.1\mu F$  capacitor may be used. For converters with more stringent requirements, a network should be designed based on measurements of the system's loop. An excellent reference for this process may be found in "Practical Design of Power Supplies" by Ron Lenk, IEEE Press, 1998.

### Secondary Ground

The GND pin should be connected to the secondary ground of the converter.

### No Connect Pins

The NC pins have no internal connection. They should not have any connection to the secondary side, as this may compromise the isolation structure.

### Photo-Transistor

The Photo-transistor is the output of the FOD2741. In a normal configuration the collector will be attached to a pull-up resistor and the emitter grounded. There is no base connection necessary.

The value of the pull-up resistor, and the current limiting resistor feeding the LED, must be carefully selected to account for voltage range accepted by the PWM IC, and for the variation in current transfer ratio (CTR) of the opto-isolator itself.

**Example:** The voltage feeding the LED pins is +12V, the voltage feeding the collector pull-up is +10V, and the PWM IC is the Fairchild KA1H0680, which has a 5V reference. If we select a  $10k\Omega$  resistor for the LED, the maximum current the LED can see is:

$$(12V - 4V) / 10k\Omega = 800\mu A.$$

The CTR of the opto-isolator is a minimum of 100%, so the minimum collector current of the photo-transistor when the diode is full on is also  $800\mu A$ . The collector resistor must thus be such that:

$$\frac{10V - 5V}{R_{COLLECTOR}} < 800\mu A \text{ or } R_{COLLECTOR} > 6.25k\Omega;$$

select  $12k\Omega$  to allow some margin.

## Ordering Information

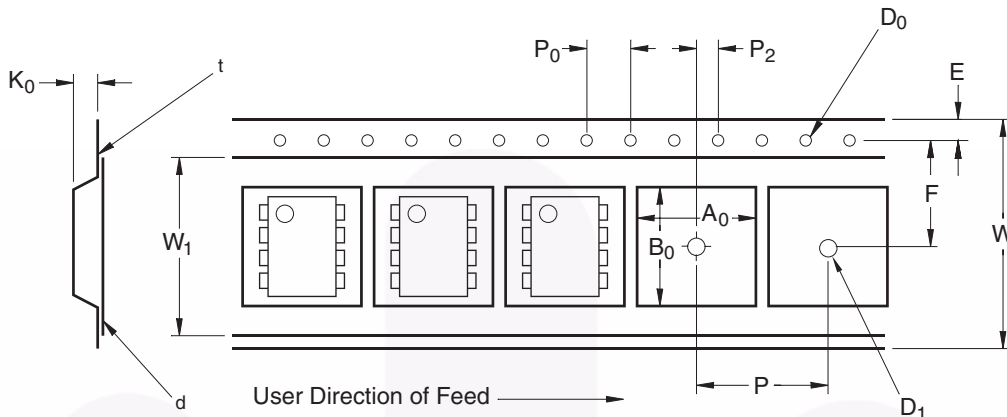
| Option    | Example Part Number | Description                           |
|-----------|---------------------|---------------------------------------|
| No Option | FOD2741A            | Standard Through Hole                 |
| S         | FOD2741AS           | Surface Mount Lead Bend               |
| SD        | FOD2741ASD          | Surface Mount; Tape and Reel          |
| T         | FOD2741AT           | 0.4" Lead Spacing                     |
| V         | FOD2741AV           | VDE0884                               |
| TV        | FOD2741ATV          | VDE0884; 0.4" Lead Spacing            |
| SV        | FOD2741ASV          | VDE0884; Surface Mount                |
| SDV       | FOD2741ASDV         | VDE0884; Surface Mount; Tape and Reel |

## Marking Information



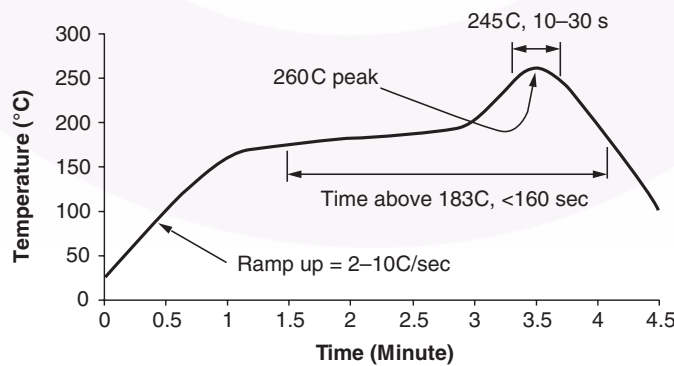
| Definitions |  |
|-------------|--|
| 1           | Fairchild logo   |
| 2           | Device number  |
| 3           | VDE mark (Note: Only appears on parts ordered with VDE option – See order entry table) |
| 4           | Two digit year code, e.g., '03'  |
| 5           | Two digit work week ranging from '01' to '53'  |
| 6           | Assembly package code  |

## Carrier Tape Specifications



| Symbol         | Description                     | Dimension in mm |
|----------------|---------------------------------|-----------------|
| W              | Tape Width                      | 16.0 ± 0.3      |
| t              | Tape Thickness                  | 0.30 ± 0.05     |
| P <sub>0</sub> | Sprocket Hole Pitch             | 4.0 ± 0.1       |
| D <sub>0</sub> | Sprocket Hole Diameter          | 1.55 ± 0.05     |
| E              | Sprocket Hole Location          | 1.75 ± 0.10     |
| F              | Pocket Location                 | 7.5 ± 0.1       |
| P <sub>2</sub> |                                 | 4.0 ± 0.1       |
| P              | Pocket Pitch                    | 12.0 ± 0.1      |
| A <sub>0</sub> | Pocket Dimensions               | 10.30 ± 0.20    |
| B <sub>0</sub> |                                 | 10.30 ± 0.20    |
| K <sub>0</sub> |                                 | 4.90 ± 0.20     |
| W <sub>1</sub> | Cover Tape Width                | 1.6 ± 0.1       |
| d              | Cover Tape Thickness            | 0.1 max         |
|                | Max. Component Rotation or Tilt | 10°             |
| R              | Min. Bending Radius             | 30              |

## Reflow Profile



- Peak reflow temperature: 260C (package surface temperature)
- Time of temperature higher than 183C for 160 seconds or less
- One time soldering reflow is recommended



- NOTES:
- A) NO STANDARD APPLIES TO THIS PACKAGE
  - B) ALL DIMENSIONS ARE IN MILLIMETERS.
  - C) DIMENSIONS ARE EXCLUSIVE OF BURRS, MOLD FLASH, AND TIE BAR EXTRUSION
  - D) DRAWING FILENAME AND REVISION: MKT-N08GREV7





LAND PATTERN RECOMMENDATION



NOTES:

- A) NO STANDARD APPLIES TO THIS PACKAGE
- B) ALL DIMENSIONS ARE IN MILLIMETERS.
- C) DIMENSIONS ARE EXCLUSIVE OF BURRS, MOLD FLASH, AND TIE BAR EXTRUSION
- D) DRAWING FILENAME AND REVISION: MKT-N08Hrev7.







PIN 1

15.0° (MAX)

10.16 (TYP)

0.20-0.40



NOTES:

- A) NO STANDARD APPLIES TO THIS PACKAGE
- B) ALL DIMENSIONS ARE IN MILLIMETERS.
- C) DIMENSIONS ARE EXCLUSIVE OF BURRS, MOLD FLASH, AND TIE BAR EXTRUSION
- D) DRAWING FILENAME AND REVISION: MKT-N08REV7



ON Semiconductor and  are trademarks of Semiconductor Components Industries, LLC dba ON Semiconductor or its subsidiaries in the United States and/or other countries. ON Semiconductor owns the rights to a number of patents, trademarks, copyrights, trade secrets, and other intellectual property. A listing of ON Semiconductor's product/patent coverage may be accessed at [www.onsemi.com/site/pdf/Patent-Marking.pdf](http://www.onsemi.com/site/pdf/Patent-Marking.pdf). ON Semiconductor reserves the right to make changes without further notice to any products herein. ON Semiconductor makes no warranty, representation or guarantee regarding the suitability of its products for any particular purpose, nor does ON Semiconductor assume any liability arising out of the application or use of any product or circuit, and specifically disclaims any and all liability, including without limitation special, consequential or incidental damages. Buyer is responsible for its products and applications using ON Semiconductor products, including compliance with all laws, regulations and safety requirements or standards, regardless of any support or applications information provided by ON Semiconductor. "Typical" parameters which may be provided in ON Semiconductor data sheets and/or specifications can and do vary in different applications and actual performance may vary over time. All operating parameters, including "Typicals" must be validated for each customer application by customer's technical experts. ON Semiconductor does not convey any license under its patent rights nor the rights of others. ON Semiconductor products are not designed, intended, or authorized for use as a critical component in life support systems or any FDA Class 3 medical devices or medical devices with a same or similar classification in a foreign jurisdiction or any devices intended for implantation in the human body. Should Buyer purchase or use ON Semiconductor products for any such unintended or unauthorized application, Buyer shall indemnify and hold ON Semiconductor and its officers, employees, subsidiaries, affiliates, and distributors harmless against all claims, costs, damages, and expenses, and reasonable attorney fees arising out of, directly or indirectly, any claim of personal injury or death associated with such unintended or unauthorized use, even if such claim alleges that ON Semiconductor was negligent regarding the design or manufacture of the part. ON Semiconductor is an Equal Opportunity/Affirmative Action Employer. This literature is subject to all applicable copyright laws and is not for resale in any manner.

## PUBLICATION ORDERING INFORMATION

### LITERATURE FULFILLMENT:

Literature Distribution Center for ON Semiconductor  
19521 E. 32nd Pkwy, Aurora, Colorado 80011 USA  
**Phone:** 303-675-2175 or 800-344-3860 Toll Free USA/Canada  
**Fax:** 303-675-2176 or 800-344-3867 Toll Free USA/Canada  
**Email:** [orderlit@onsemi.com](mailto:orderlit@onsemi.com)

**N. American Technical Support:** 800-282-9855 Toll Free  
USA/Canada  
**Europe, Middle East and Africa Technical Support:**  
Phone: 421 33 790 2910  
**Japan Customer Focus Center**  
Phone: 81-3-5817-1050

**ON Semiconductor Website:** [www.onsemi.com](http://www.onsemi.com)  
**Order Literature:** <http://www.onsemi.com/orderlit>  
For additional information, please contact your local  
Sales Representative