

NOTE:

- Material:
  - All Housing: LCP,Black,Thermoplastics,UL94V-0(Halogen Free).
  - Contact: Copper Alloy
  - Shell: Stainless Stell.
  - Mid Shell Plate: Stainless Stell.
- FINISH:
  - Contact: Au 1u" Plated on Contact Area, 80u" Min. Bright Tin Plated on Solder Area 30u" Min.Nickel Underplating Over All.
  - Shell: 50u" Min. Nickel plated Over All.
- Specification:
  - Electrical:
    - Current Rating: 5A For Pin(A4,A9,B4,B9), 1.25A For Others Pin
    - Insulation Resistance: 100MΩ Min.
    - Contact Resistance: 50 mΩ Max.
    - Dielectric Withstanding Voltage: 100V/AC 1Minute
  - Mechanical Characteristic:
    - Insertion Force: 5~20N
    - Extraction Force: 0~1000 Cycles 8~20N. 1000~10000 Cycles 5~20N
    - Durability :10000 Cycles
- Recommended process IR REFLOW:260°C, 3-5seconds.

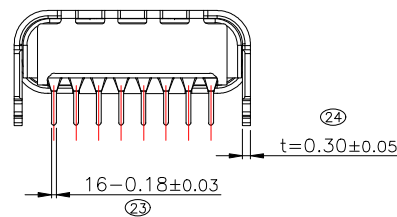
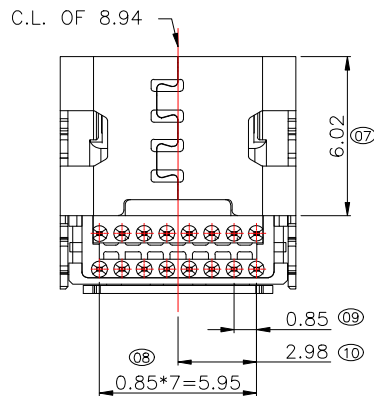
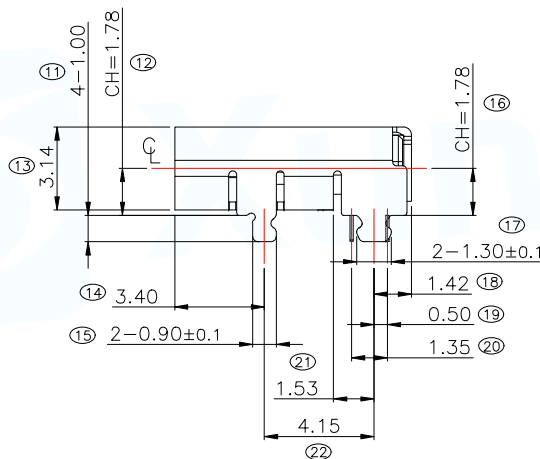
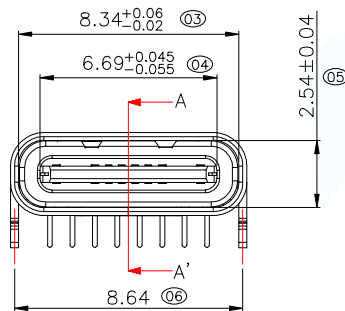
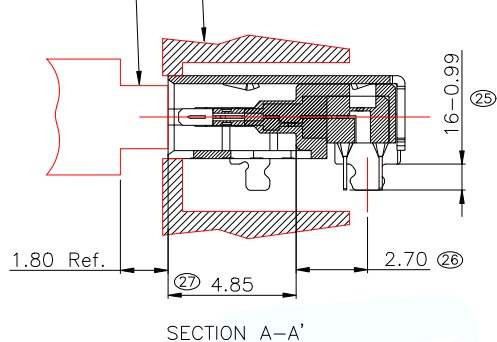


TABLE:

TYPEC-306DDW-ARP16	7	UP Terminal	Copper Alloy , Au 1u" Plated on contact Area	8PCS
	6	Down Terminal	80u" Min. Bright Tin Plated on Solder Area	8PCS
	5	Down Molding	LCP Black(Halogen Free),	1PCS
	4	Upper Molding	LCP Black(Halogen Free),	1PCS
	3	Body Second Molding	LCP Black(Halogen Free),	1PCS
	2	Mid Shield Plate	Stainless Steel , SUS304 1/2H, Clear,No Plated	1PCS
	1	Shell	Stainless steel, Nickel Plating over all	1PCS
PART NO.	数量 NO.	品名 NAME	表面处理 PLATING	备注 MARK
MANUFACTURE DWG		东莞市讯普电子科技有限公司 DongGuan XunPu Electronics Co.,Ltd		
UNLESS OTHERWISE SPECIFIED TOLERANCES			TITLE: USB C TYPE F POWER 16P DIP ONLY CH=1.78, L=8.97MM	
DECIMALS:	ANGLES:		PAR	TYPEC-306DDW-ARP16
.X:±0.30	X':±10°		DWN	
.XX:±0.20	.X':±8°		CHKD	
.XXX:±0.10	.XX':±5°	APVD		
CUSTOMER COPY		SCALE1:1	UNIT:MM	
		SIZE:A4	SHEET:1F1	REV:A

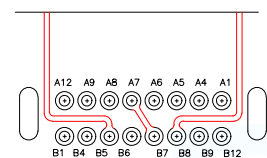
USB TYPE C PLUG REF. ENCLOSURE DESIGN



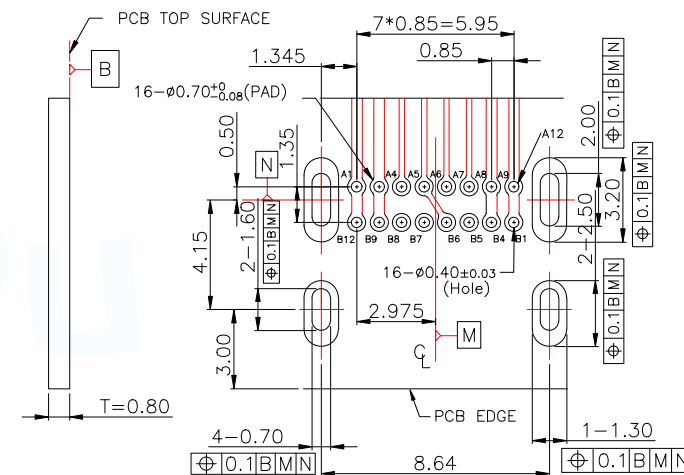
SECTION A-A'

USB TYPE-C PIN ASSIGNMENTS

PIN NUMBER	SIGNAL NAME	PIN NUMBER	SIGNAL NAME
A1	GND	B12	GND
A4	Vbus	B9	Vbus
A5	CC1	B8	SBU2
A6	Dp1	B7	Dn2
A7	Dn1	B6	Dp2
A8	SBU1	B5	CC2
A9	Vbus	B4	Vbus
A12	GND	B1	GND



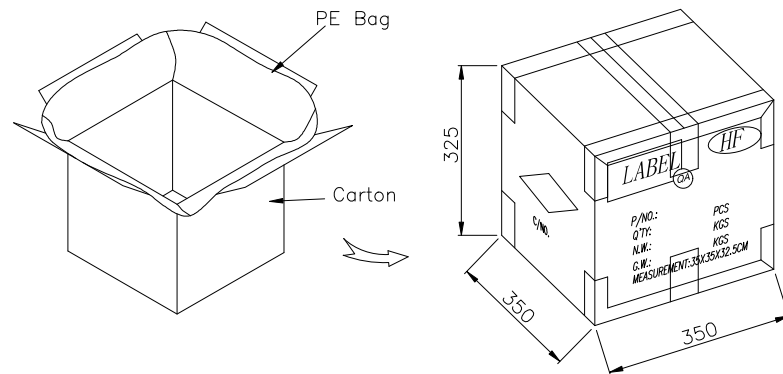
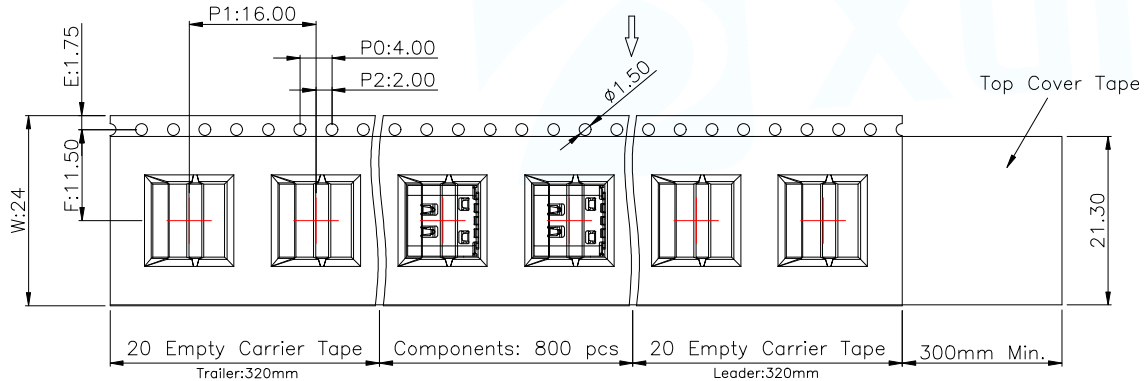
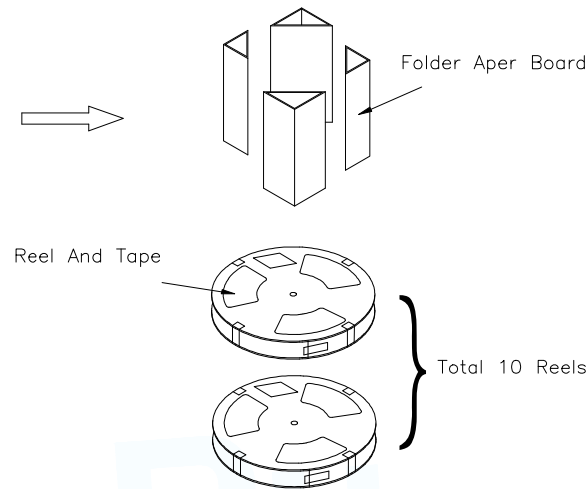
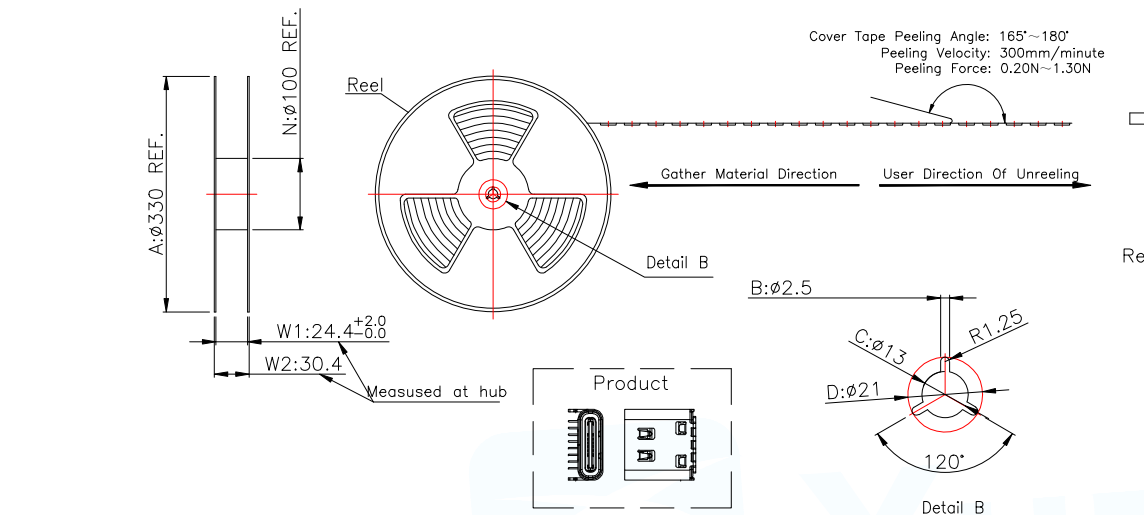
PCB BOTTOM SURFACE



RECOMMENDED P.C.B LAYOUT

GENERAL TOLERANCE:±0.05  
PCB TOP SURFACE

MANUFACTURE DWG		 东莞市讯普电子科技有限公司 DongGuan XunPu Electronics Co.,Ltd	TITLE: USB C TYPE F POWER 16P DIP ONLY CH=1.78, L=8.97MM	
UNLESS OTHERWISE SPECIFIED TOLERANCES			PAR	TYPEC-306DDW-ARP16
DECIMALS:	ANGLES:	DWN		
.X:±0.30	X':±10°	CHKD		
.XX:±0.20	.X':±8°	APVD		
.XXX:±0.10	.XX':±5°	SCALE1:1	UNIT:MM	
		SIZE:A4	SHEET:1F1	
		CUSTOMER COPY	REV:A	



Note:  
 Quantity/Reel: 800pcs  
 Quantity/Carton: 800pcs\*10=8Kpcs

MANUFACTURE DWG			 东莞市讯普电子科技有限公司 DongGuan XunPu Electronics Co.,Ltd	
UNLESS OTHERWISE SPECIFIED TOLERANCES			TITLE: USB C TYPE F POWER 16P DIP ONLY CH=1.78, L=8.97MM	
DECIMALS:	ANGLES:		PAR	TYPEC-306DDW-ARP16
.X:±0.30	X':±10°		DWN	
.XX:±0.20	.X':±8°	CHKD		
.XXX:±0.10	.XX':±5°	APVD		
CUSTOMER COPY		SCALE1:1	UNIT:MM	
		SIZE:A4	SHEET:1F1	REV:A