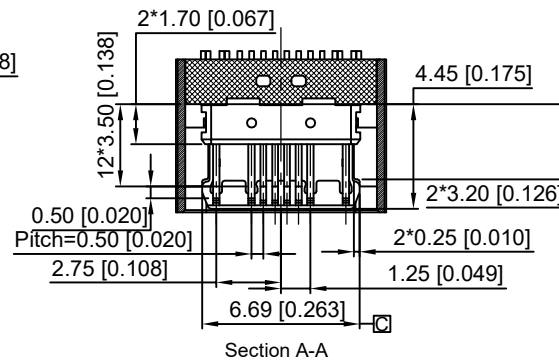
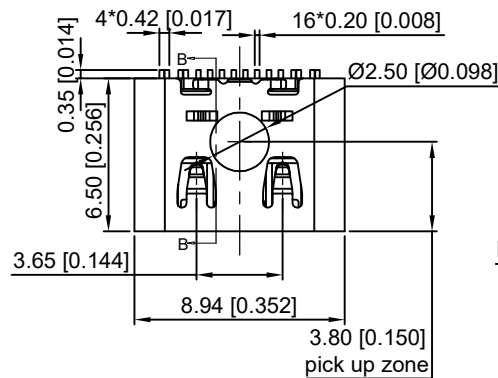


Section B-B



Section A-A

PIN DEFINE TABLE			
PIN	SIGNAL	PIN	SIGNAL
A12	GND	B1	GND
A11		B2	
A10		B3	
A9	VBUS	B4	VBUS
A8	SBU1	B5	CC2
A7	Dn1	B6	Dp2
A6	Dp1	B7	Dn2
A5	CC1	B8	SBU2
A4	VBUS	B9	VBUS
A3		B10	
A2		B11	
A1	GND	B12	GND

SPECIFICATION:

1. Material

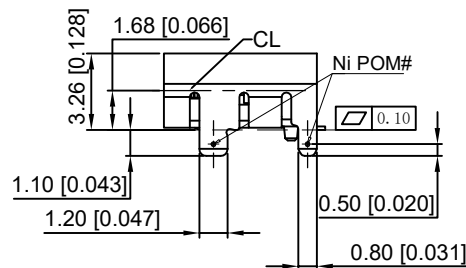
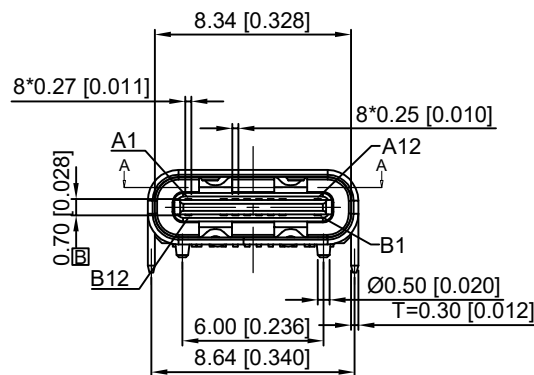
Housing Material:High temperature thermoplastic
 Contact Terminal:High Grade Copper Alloy
 Merallic Shell:Stainless Steel
 Inner Ground Cover Shell:Stainless Steel
 Mid Plate:Stainless Steel

2. Mechanical:

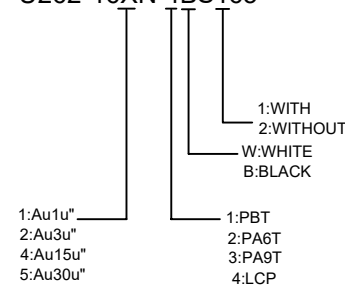
- 2.1.Mating force:5-20Nf;
- 2.2.Unmating force:Initial:8-20Nf;Final:6-20Nf;
- 2.3.Durability:10000 Cycles;

3.Electrical:

- 3.1.Current Rating:
 VBus Pins:5A, Vconn Pin:1.25A, Other Pins:0.25A;
- 3.2.Voltage Rating:20V Max.;
- 3.3.Dielectric Withstanding
 volage:100Vac,60S,10mA;
- 3.4.Contact resistance:40m Ohms Max.;
- 3.5.Insulation Resistance:100M Ohms Min.;
- 4.Environmental:
 - 4.1.Operating temperature:-40°C~+85°C;
 - 4.2.Salt Spray Test:48H Min.(No oxidation or rust);
 - 4.3.Wetting Temperature:265±5°C,5±0.5s



U262-16XN-4BS165



- 1: Au1u"
- 2: Au3u"
- 4: Au15u"
- 5: Au30u"

- 1:PBT
- 2:PA6T
- 3:PA9T
- 4:LCP

MARK	DESCRIPTION	DATE	REVISED	APPROVED	UNSPECIFIED TOLERANCES
Δx					ANGLAR ±5°
Δx					L ≤ 4 ±0.2
Δx					4 < L ≤ 16 ±0.3
Δx					16 < L ≤ 63 ±0.4
MARK					L > 63 ±0.5

DSND	DATE	SCALE: N/A	MODEL TYPE:
DWN	DATE	VIEW:	3.1 TYPE C
CHKD	DATE	UNIT: mm/in	PART NO.:
APPD	DATE	SIZE: A4	DWG NO.:
KXB INDUSTRIAL PRECISION CO.,LIMITED			U262-16XN-4BS165
WEIGHT	SHEET	REVISION	
1.0g	1/1	A0	