

XKB Product features

Voltage: < 12V

Current: < 20mA

Conduction time: 2ms

Closed circuit resistance: < 10ohm

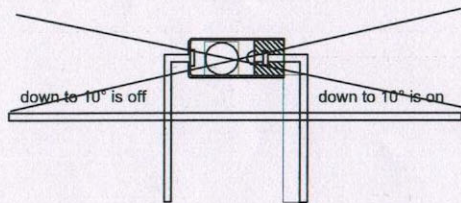
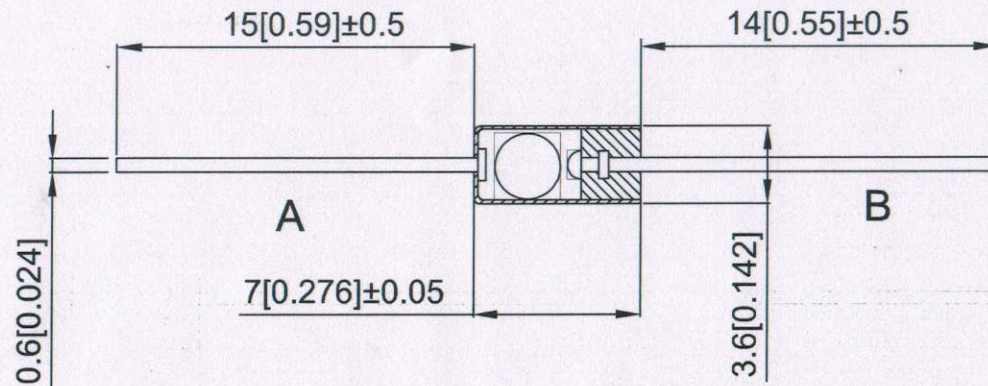
Open circuit resistance: > 10m ohm

High temperature resistance: 120 degrees

Terminal tension: 500gf / min

Humidity: 25~95%RH

Service life: 100000 times



XKB Product features

XKB产品特性

1. SW-200m is a single ball type unidirectional tilt inductive trigger switch.

1. SW-200m为单球式单向倾斜感应触发开关。

2. When the guide end (no pin end) of the product is tilted and the tilt angle is greater than 10 degrees, the product is in the open circuit, (off) state. When the horizontal state of the product is tilted, the trigger end (gold-plated pin end) is lower than the horizontal and the tilt angle is greater than 10 degrees, the product is in the closed circuit, (on) state.

2. 产品导向端（无销端）倾斜且倾斜角度大于10度时，产品处于开路（关）状态。当产品水平状态倾斜，触发端（镀金销端）低于水平且倾斜角度大于10度时，产品处于闭路、（开）状态。

3. When it is placed horizontally, shaking is easy to trigger, but when there is no foot down, shaking is not easy to trigger.

3. 水平放置时，摇动容易触发，但没有脚踩时，摇动不易触发。

4. The product of this specification is completely sealed, waterproof and dustproof.

4. 本规范产品完全密封、防水、防尘。

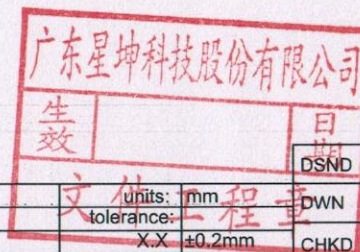
5. Under normal conditions, the service life of the switch can reach 100000 times.

5. 正常情况下，开关使用寿命可达10万次。

6. This product is made of environmental protection metal material. XKB

6. 本产品采用环保金属材料制造。

ITEM	PAPT	NAMF	QTY	MATERIAL	FINISHING	REMARK
⑥		Heat shrinkable tube	1	PET		
⑤		Rubber stopper	1	LCP		
④		Roll Ball	1	Brass	silver	
③		Guide needle A	1	Brass	nickel	
②		Guide needle B	1	Brass	gold-plated	
①		Copper tube	1	Brass	nickel	



MARK	DESCRIPTION	DATE	REVISED	APPROVED	UNSPECIFIED TOLERANCES	DATE	SCALE: N/A	MODEL TYPE: Ball switch
						DATE	VIEW:	PART NO.:
						DATE	UNIT: mm/in	DWG NO.:
						DATE	SIZE: A4	SW-200M-14G15N
								WEIGHT SHEET REVISION
								1.0g 1/1 A0