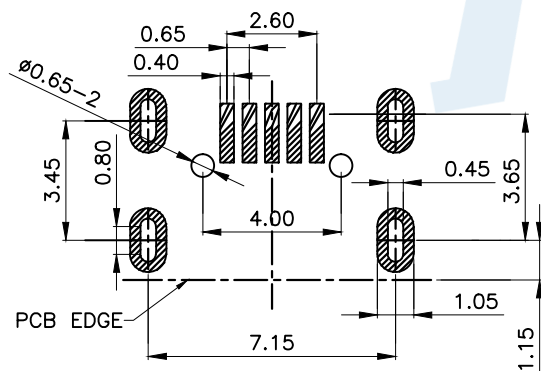
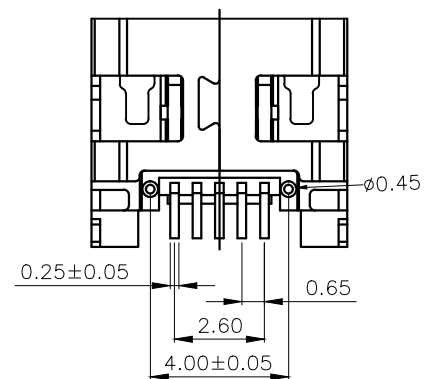
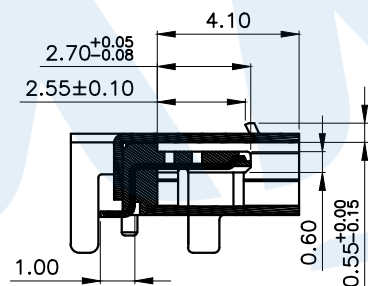
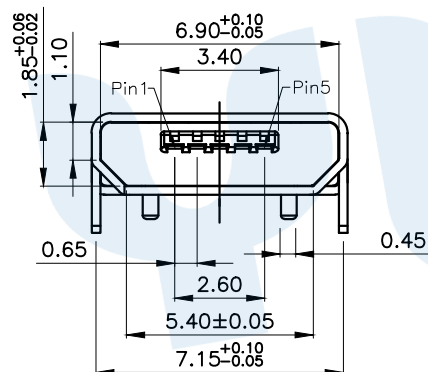
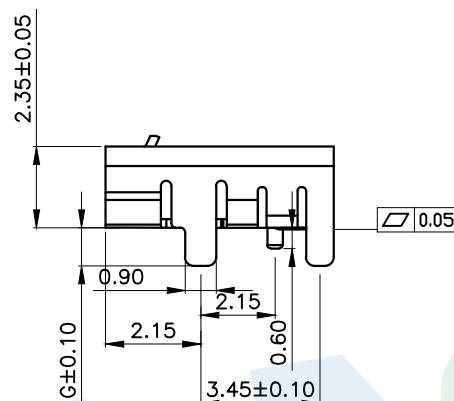
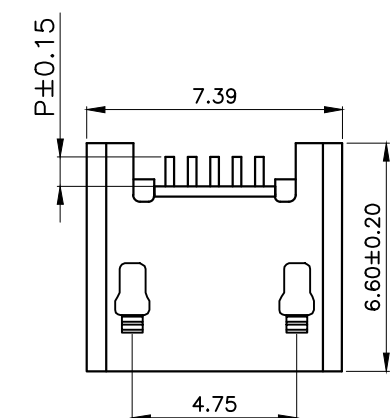


RoHS



Recommended P.C.B Layout

| Pin length | | Shell foot length | |
|------------|------|-------------------|------|
| CODE | P | CODE | G |
| P1 | 0.80 | G2 | 1.10 |
| P2 | 1.00 | | |
| P3 | 1.25 | | |

规格说明: Specifications

电气特性: Electrical

1. 额定电流: Current Rating
1.0A/contact terminal
 2. 额定电压: Voltage Rating
30V DC
 3. 接触阻抗: Contact Resistance
50 milliohms Max
 4. 耐电压: Dielectric Withstanding Voltage
AC 100V/1MINUTE.
 5. 绝缘阻抗: Insulation Resistance
100MEGA Ohms Min
- 物理性能: Mechanical
1. 插拔力: Connector Mate and Unmate Force
Insertion force: 3.57kgf(MAX)
Extraction force: 1.02kgf(Min). 0.81~2.05kgf(Min).
- 端子保持力: Terminal Retention
0.5kgf(MIN)

| ◎ | Terminal | | 5 | Brass | Au Plating |
|-----|----------|--------|-----|---------|------------|
| ⓑ | Shee | | 1 | Brass | Ni Plating |
| Ⓐ | Base | | 1 | LCP | Black |
| NO. | Name | Number | Qty | Materil | Remarks |

YUANDI® Yuandi Electronics Co, Ltd

| | | | |
|----------|------|-------|---------------------|
| design | date | name | USB CONNECTOR |
| Review | date | model | MICRO-12A-G□P□-A1T2 |
| Approved | date | | |

Drawing number: modify Review Approved Tolerance not specified Proportion 1:1 unit mm gage number A4

| | |
|-------|-------|
| angle | ±2' |
| 10~30 | ±0.30 |
| 5~10 | ±0.20 |
| ~ 5 | ±0.10 |