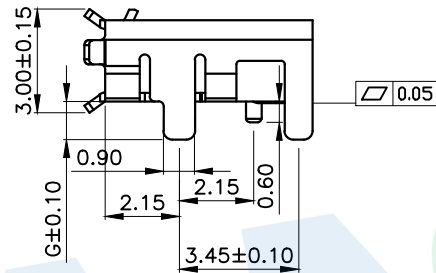
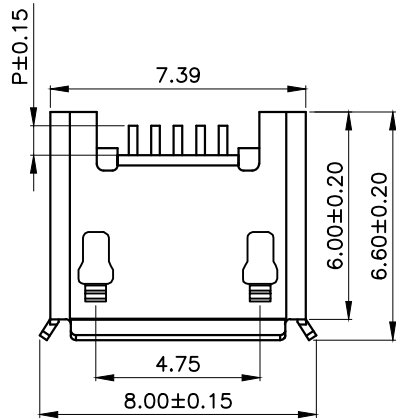
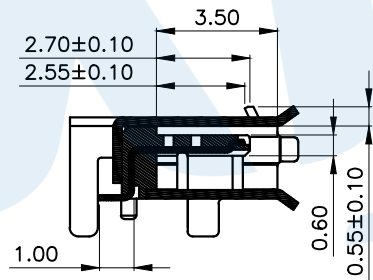
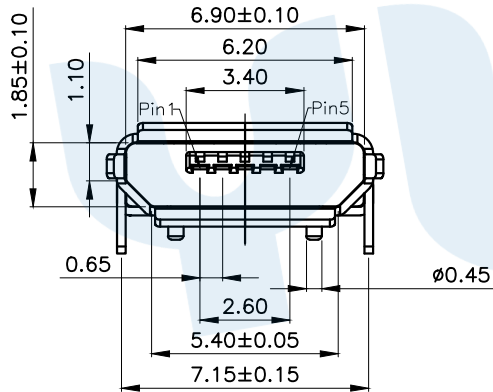


RoHS



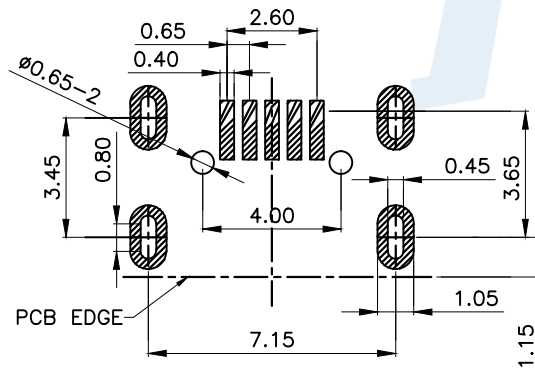
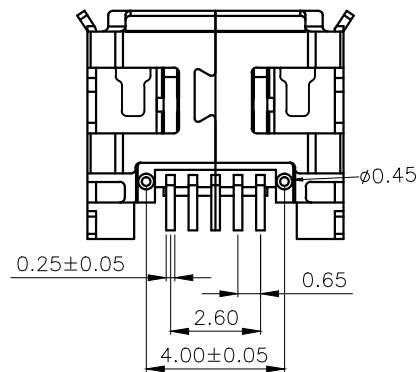
Pin length		Shell foot length	
CODE	P	CODE	G
P1	0.80	G2	1.10
P2	1.00	G4	1.50
P3	1.25	G5	1.80



规格说明: Specifications

电气特性: Electrical

1. 额定电流: Current Rating
1.0A/contact terminal
 2. 额定电压: Voltage Rating
30V DC
 3. 接触阻抗: Contact Resistance
50 milliohms Max
 4. 耐电压: Dielectric Withstanding Voltage
AC 100V/1MINUTE.
 5. 绝缘阻抗: Insulation Resistance
100MEGA Ohms Min
- 物理性能: Mechanical
1. 插拔力: Connector Mate and Unmate Force
Insertion force: 3.57kgf(MAX)
Extraction force: 1.02kgf(Min). 0.81~2.05kgf(Min).
- 端子保持力: Terminal Retention
0.5kgf(MIN)



Recommended P.C.B Layout

NO.	Name	Number	Qty	Materil	Remarks
①	Terminal		5	Brass	Au Plating
②	Shee		1	Brass	Ni Plating
③	Base		1	LCP	Black

YUANDI® Yuandi Electronics Co, Ltd

design	date	name	USB CONNECTOR
Review	date	model	MICRO-11-G□P□-A1T2
Approved	date		